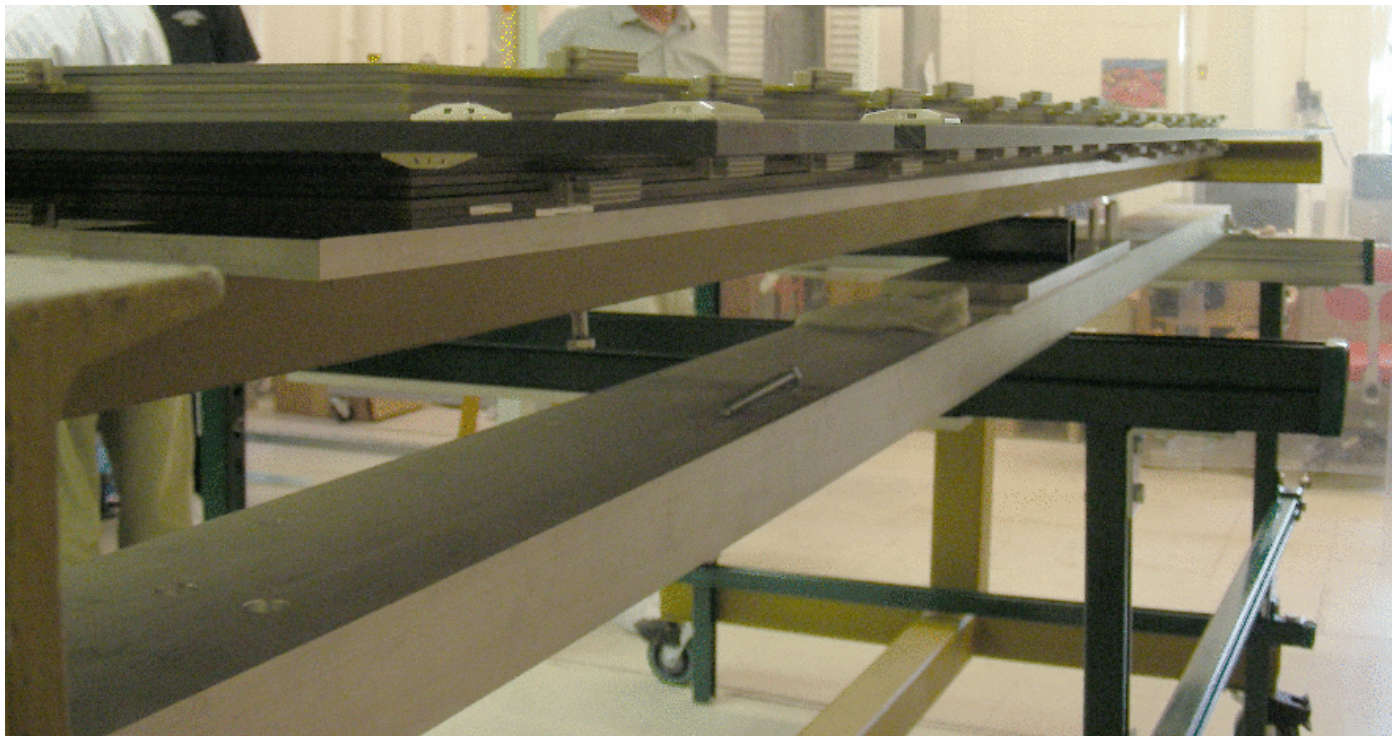


# MWDC Preparation and Schedule

- Chamber 2 ("half-chamber") had three additional planes added
  - ➔ it's now identical to Chamber 3
  - ➔ transported on-site in late-September, installed in electron stack for post-move tests
  - ➔ currently our only fully-functioning chamber (assuming no problems introduced during transport from UVa)
    - ↙ Xin *et al.* finishing the hook-up this week

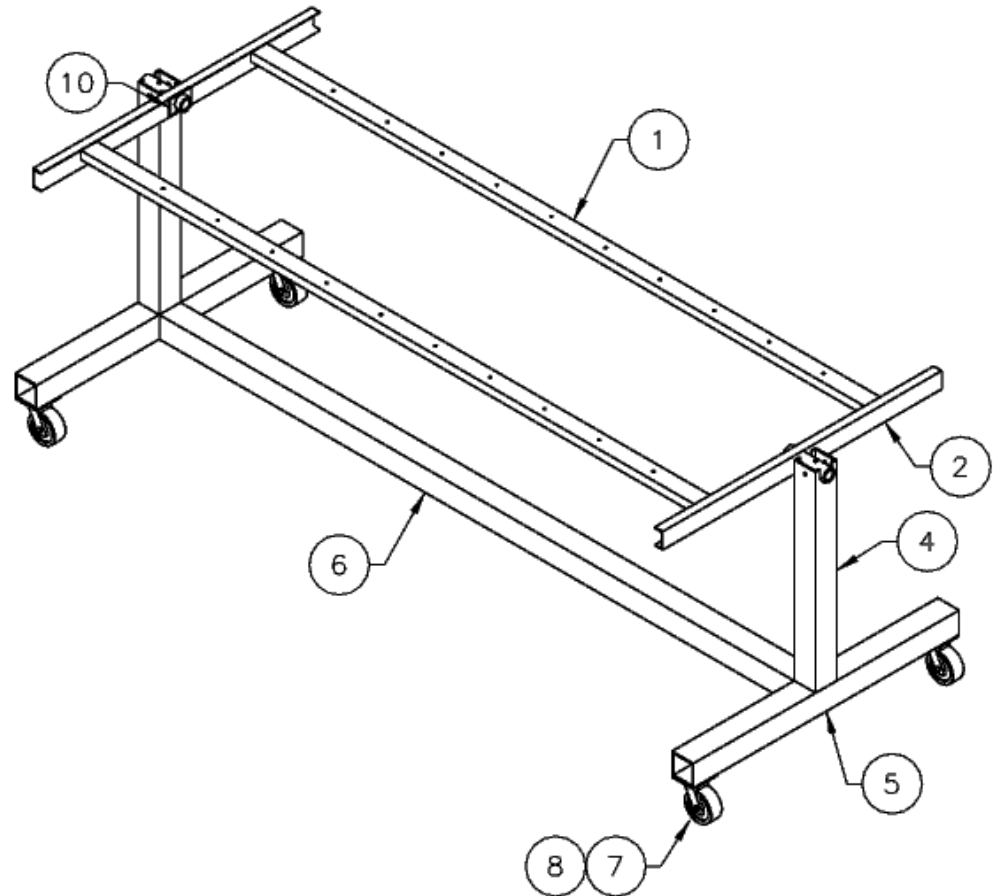


# MWDC Preparation and Schedule

- Chambers 1 & 3 both show symptoms of a broken/sagging wire
- Repairs will be done at JLab rather than at UVa
  - ➔ eliminate hassle and risk of transporting chambers
  - ➔ faster turn-around
  - ➔ establish a repair station here before experiments start
- Clean room tent in EEL 124 has been allocated to us
  - ➔ was used for VDC assembly
  - ➔ a little smaller than UVa space, but workable
  - ➔ space is cleaned out and ready for the chambers
    - ↳ uni-strut hanger rack for the planes is assembled
  - ➔ Mitra, Nilanga, Brad will oversee the repairs
    - ↳ we will need at least one or two helpers during disassembly/reassembly stages
      - I'll be in touch...

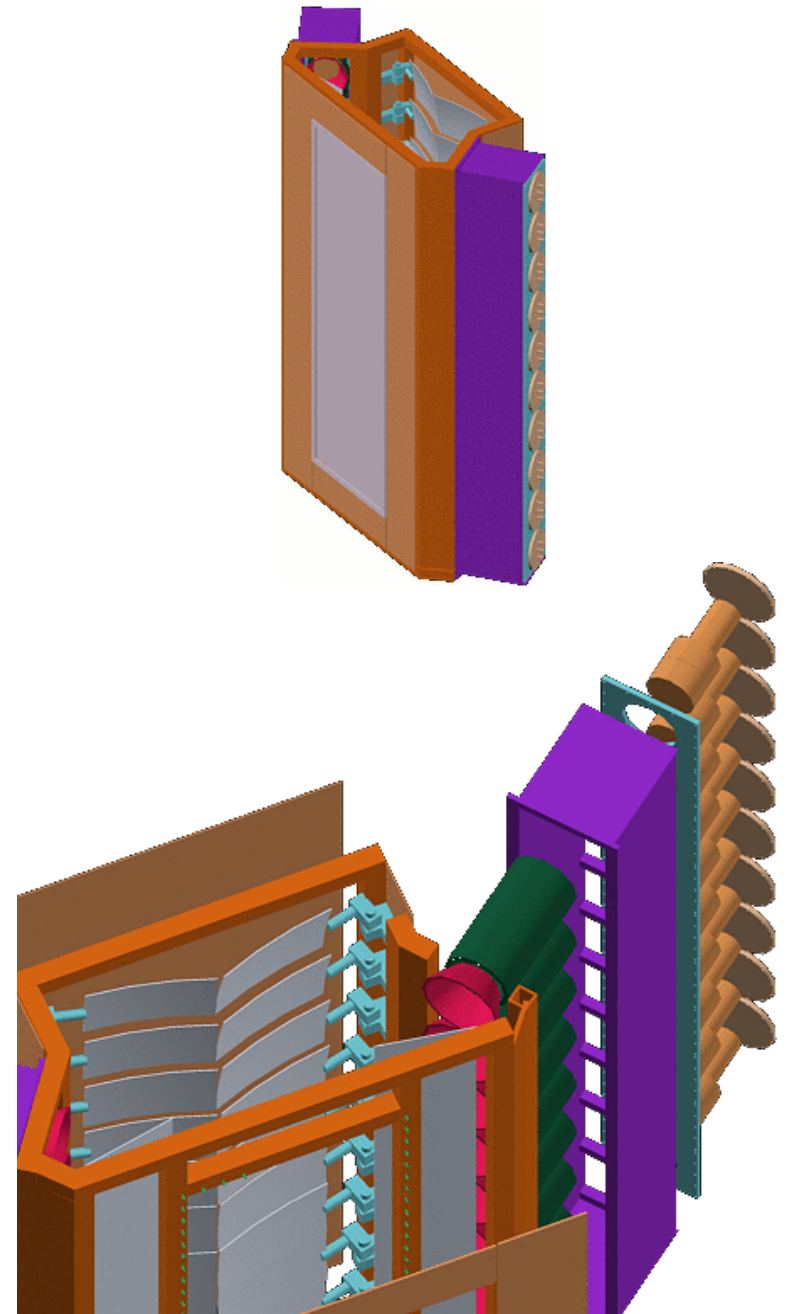
# MWDC Preparation and Schedule

- Start with Chamber 3 (big chamber)
  - ➔ waiting for stiffeners to be welded to long horizontal supports ① on transport frame
    - ➡ needed to eliminate a slight sag when chamber is horizontal (worked around at UVa using additional I-beam jacked up under the transport frame)
    - ➡ should be done this week or early next week
- Plan to start work on Chamber 3 late next week
  - ➔ hard to judge how long it will take to fix... minimum 3–4 days
- Will start on Chamber 1 after 3 is done



# Cerenkov Tank Status

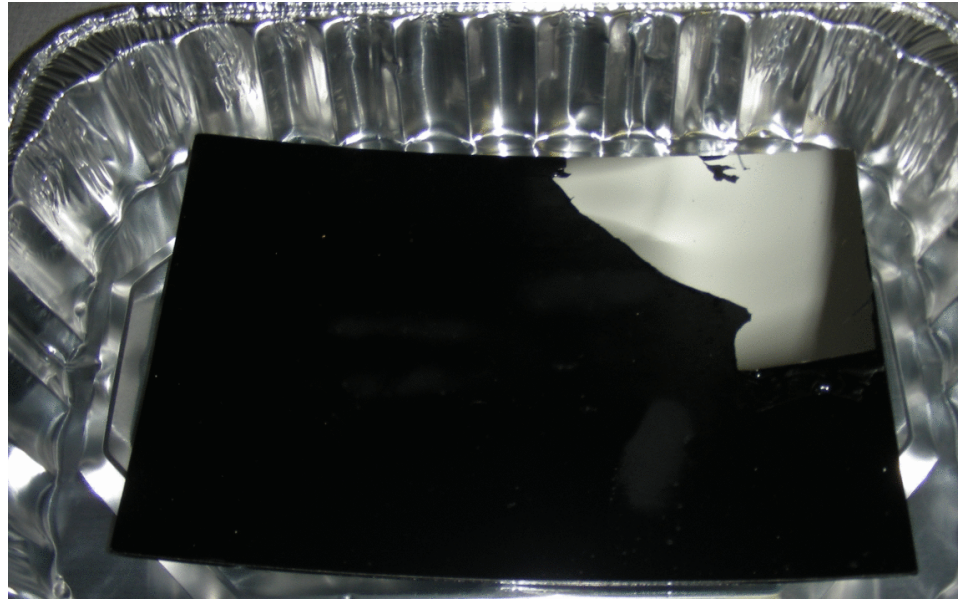
- Tank went out to the vendors for fabrication at beginning of September
  - ➔ ~8 week fabrication time
    - ↳ done end of October/early November
- All parts will be shipped to JLab (since it's a JLab procurement)
  - ➔ prefer to assemble here if we can locate the space (EEL 124?)
  - ➔ backup plan: load parts into a U-Haul and drive them up to Temple for assembly and initial tests





# Cerenkov Mirrors

- Flat mirrors (coated) have arrived
  - ➔ looks good
- Spherical mirrors arrived 2 weeks ago
  - ➔ not good
  - ➔ black "protective paint" had been applied over the reflective coating and could not be removed
  - ➔ mirrors shipped back to Cosmo Optics for repair
    - ➔ "They will make it right."
    - ➔ are working on it now, will know how it went by end of week
- Conical mirror blanks complete
  - ➔ some minor issues with the surface quality of the blanks as delivered by Model Optics
  - ➔ working with Cosmo+Model Optics to resolve this issue



# Cerenkov Miscellanea

- Cerenkov trigger logic assembled and cabled up
- EDT monitoring system roughed in for BB shower+preshower and Cerenkov trigger logic (working with Kalyan to complete)
  - ➔ will also be used as a simulated trigger to test coincidence timing
- Gas system parts-list delivered to Jack
  - ➔ he's been swamped with work in the Hall but hasn't forgotten about us
- HV and signal cables located and stock-piled
  - ➔ need 29 ~550ns delay spools for Cerenkov ADC (20 PMT + 9 group sums)
    - ↳ will just use a subset of the pi0 delay cables rather than order extra
- PMTs (24) and bases (24) on-site and tested
- **Still needed:**
  - ➔ ~20 250ns cables to run from the F.E. rack → weldment racks
  - ➔ 1–2 spare remotely adj. discriminator NIM modules (modified P706)
  - ➔  $C_4F_{10}$  order should be submitted soon
    - ↳ not used until early 2008 since we will do all tests with  $CO_2$  and  $N_2$

# Cerenkov Timeline Summary

<u>Item</u>	<u>Est. Completion Date</u>
• Tank fabrication:	late-Oct/early-Nov
• Mirrors	
➔ flat mirrors:	completed
➔ spherical mirrors:           2—12 weeks(?)	mid-Nov /
↳ worst case: refab blanks <i>and</i> re-coat	Jan08
➔ conical mirrors:	late-Oct/early-Nov
• Electron stack frame modifications	late-Nov(?)
• Assembly and leak checking can be done before the end of December	
➔ if spherical mirrors can be salvaged then we can also do alignment and begin cosmics testing too...	
↳ if not, then that will have to wait until Jan. 2008	