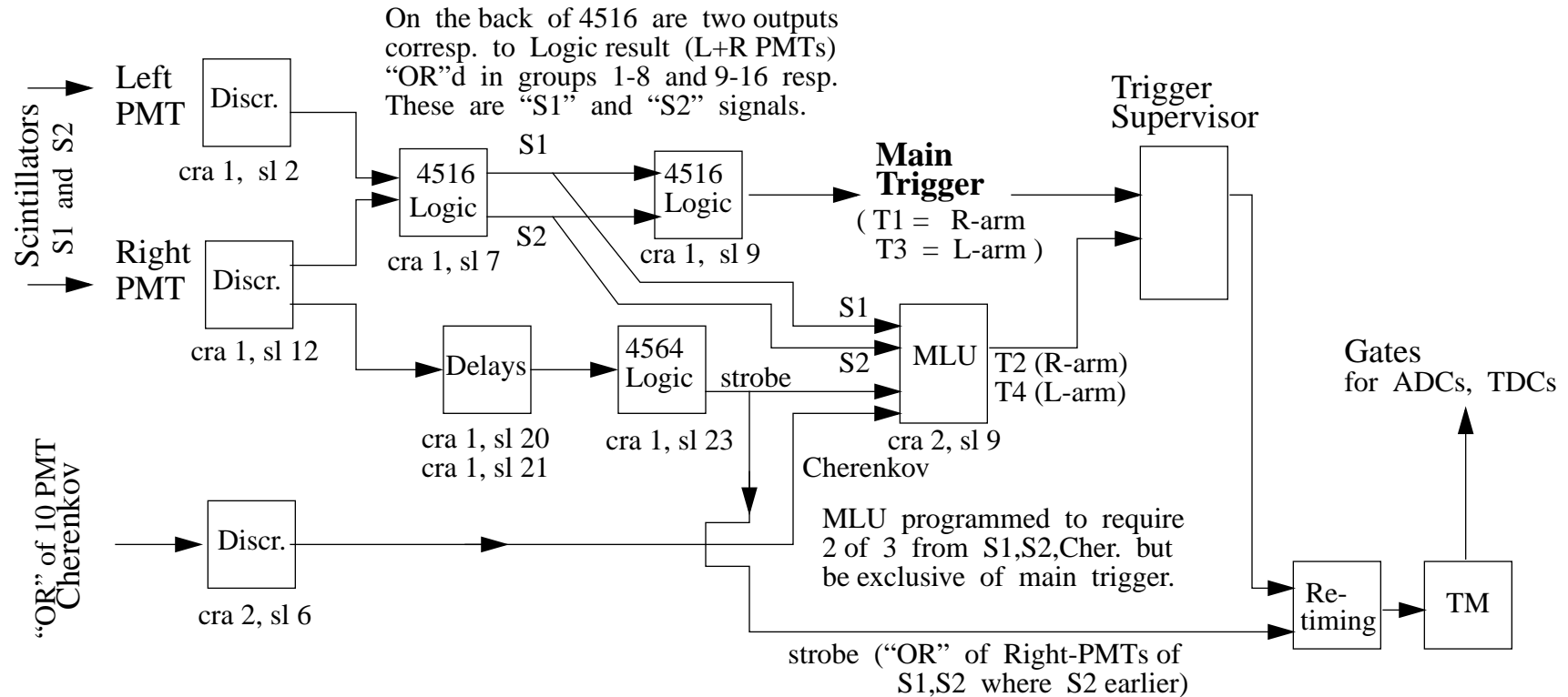


SINGLE ARM TRIGGER for HALL A SPECTROMETERS

R. Michaels, Apr 2003



Notes :

1. Only single arm trigger is shown. Relevant for GDH and HAPPEX. When we next do coincidence expt, this will be updated. Also must install S2m detector before hypernuclear.
2. The two spectrometers (L and R) are nearly identical. Shown are locations of modules in R-arm but L-arm is similar.