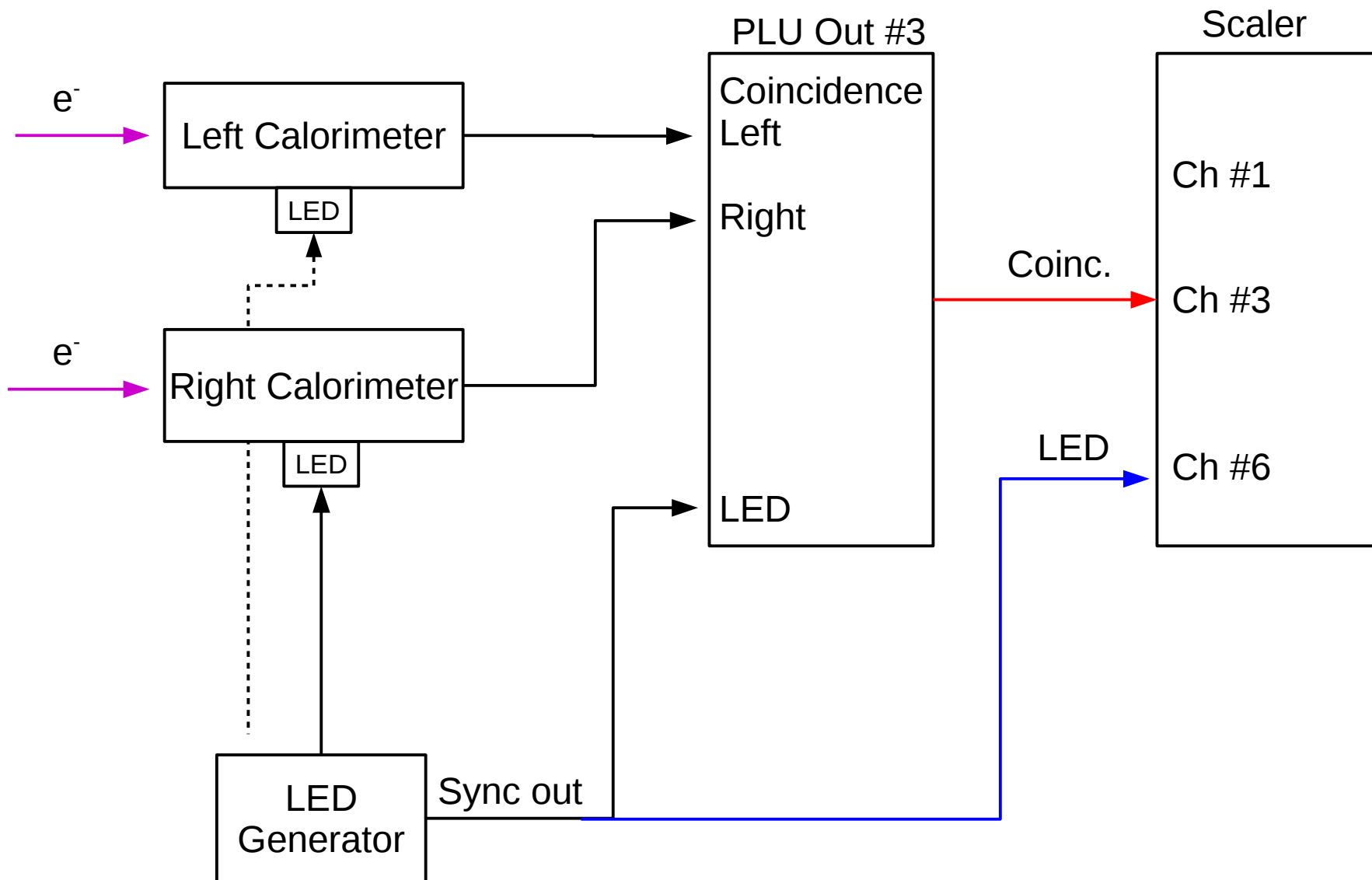


Diagram to measure dead time with LED generator
CODA configuration: test_LED



$$DT = (LED - \text{Coinc.}) / LED \quad - \text{ dead time}$$