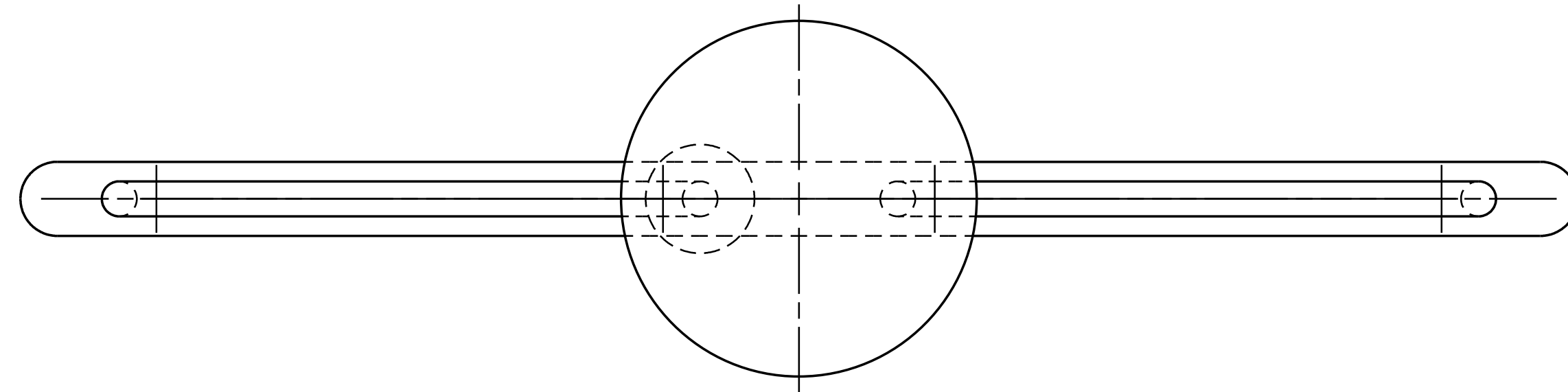
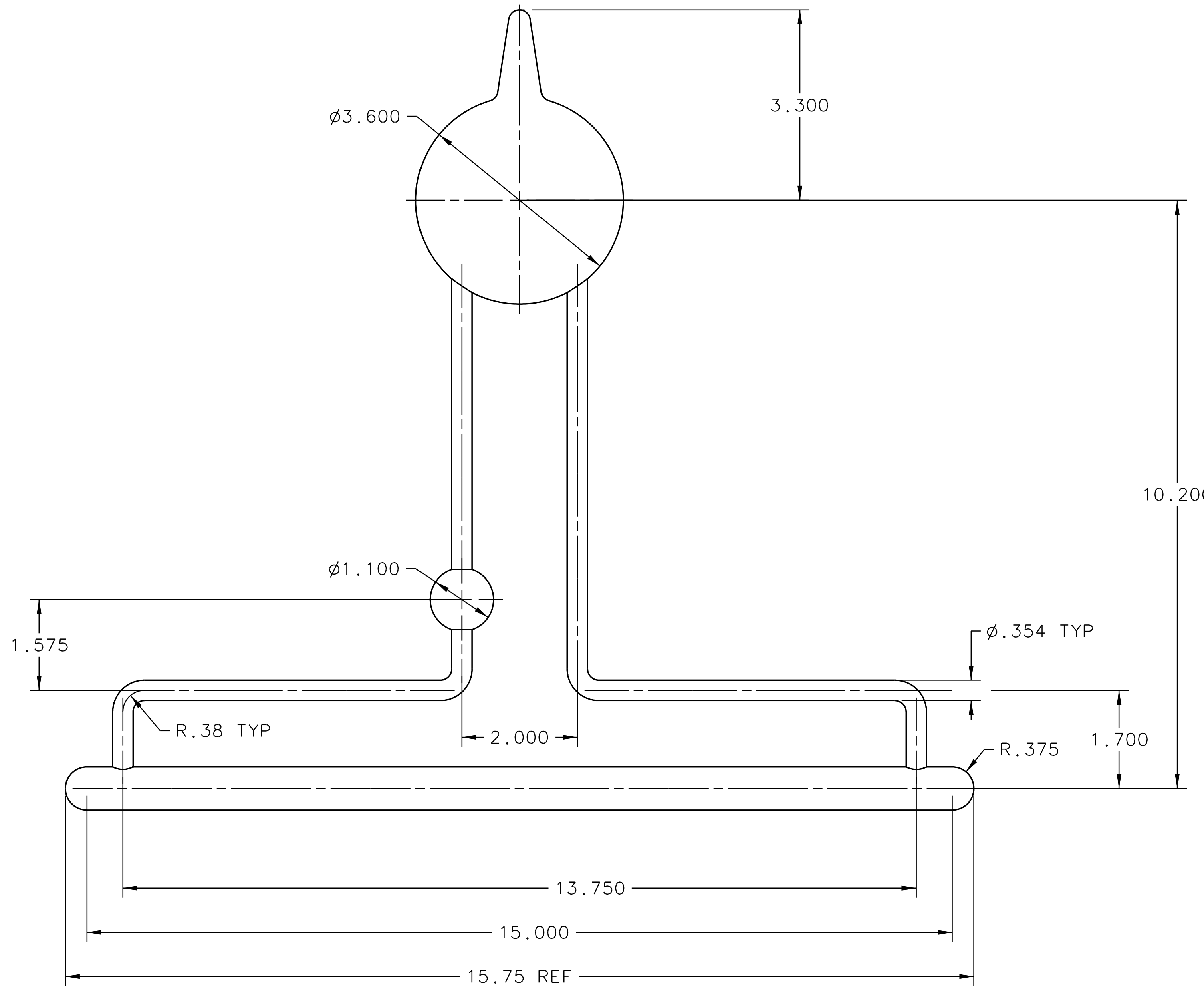


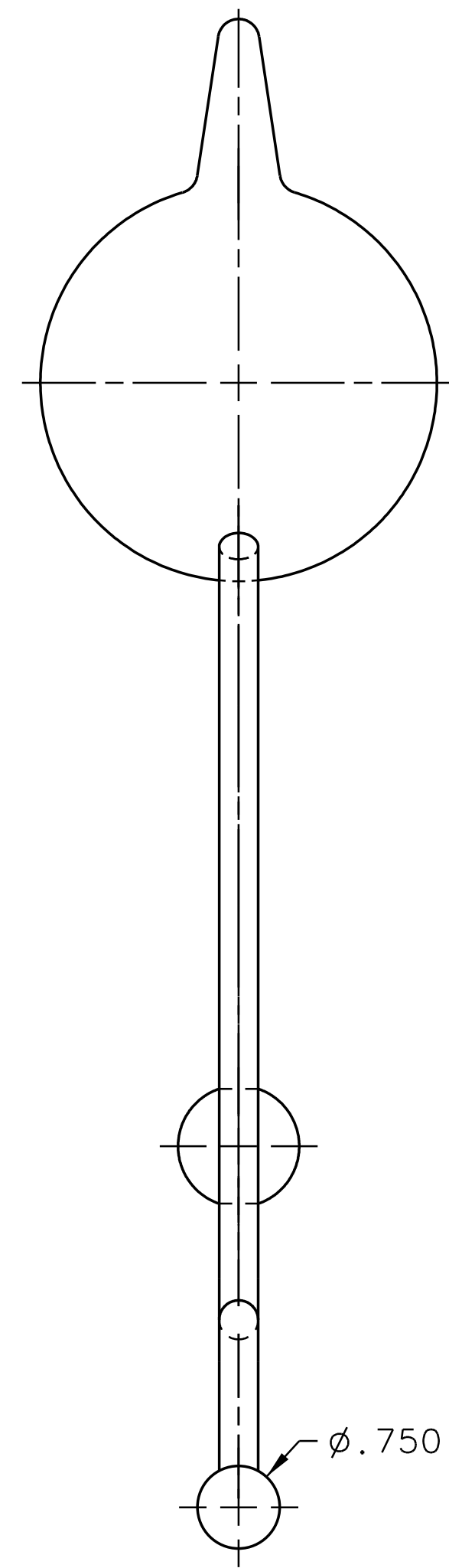
REVISION HISTORY				
ZONE	REV	DESCRIPTION	DATE	APPROVED



TOP VIEW 1-7D



FRONT VIEW 1-7A



END VIEW 1-4A

DOCUMENT CONTROL STAMP	DIM & TOL PER ASME Y14.5 UNLESS OTHERWISE SPECIFIED DIMENSIONS ARE IN INCHES TOLERANCES ARE: FRACTIONS DECIMAL ANGLES ± N/A .X ± .1 ± .50° .XX ± .01 .XXX ± .005	TRACKING NO. N/A		United States Department of Energy	 Jefferson Lab <small>Thomas Jefferson National Accelerator Facility</small>	Newport News Virginia
		APPROVALS	DATE			
MATERIAL GLASS	THIRD ANGLE PROJECTION	DRAWN S. ESP	07 NOV 11	HALL A - A1n - EXP E06122 TARGET SYSTEM CS85 OVEN ASSEMBLY A1N WORKING CELL A1n 3.60 DIA		
FINISH MACHINED SURFACES DEBURR & BREAK ALL SHARP EDGES	125 UNLESS OTHERWISE NOTED	CHECKED		SIZE DWG. NO.	A06122-03-04-0101	REV. -
DO NOT SCALE DRAWING		APPROVED		SCALE	3:4	USED ON ASSY NO: A06122-03-04-0100 SHEET 1 OF 1