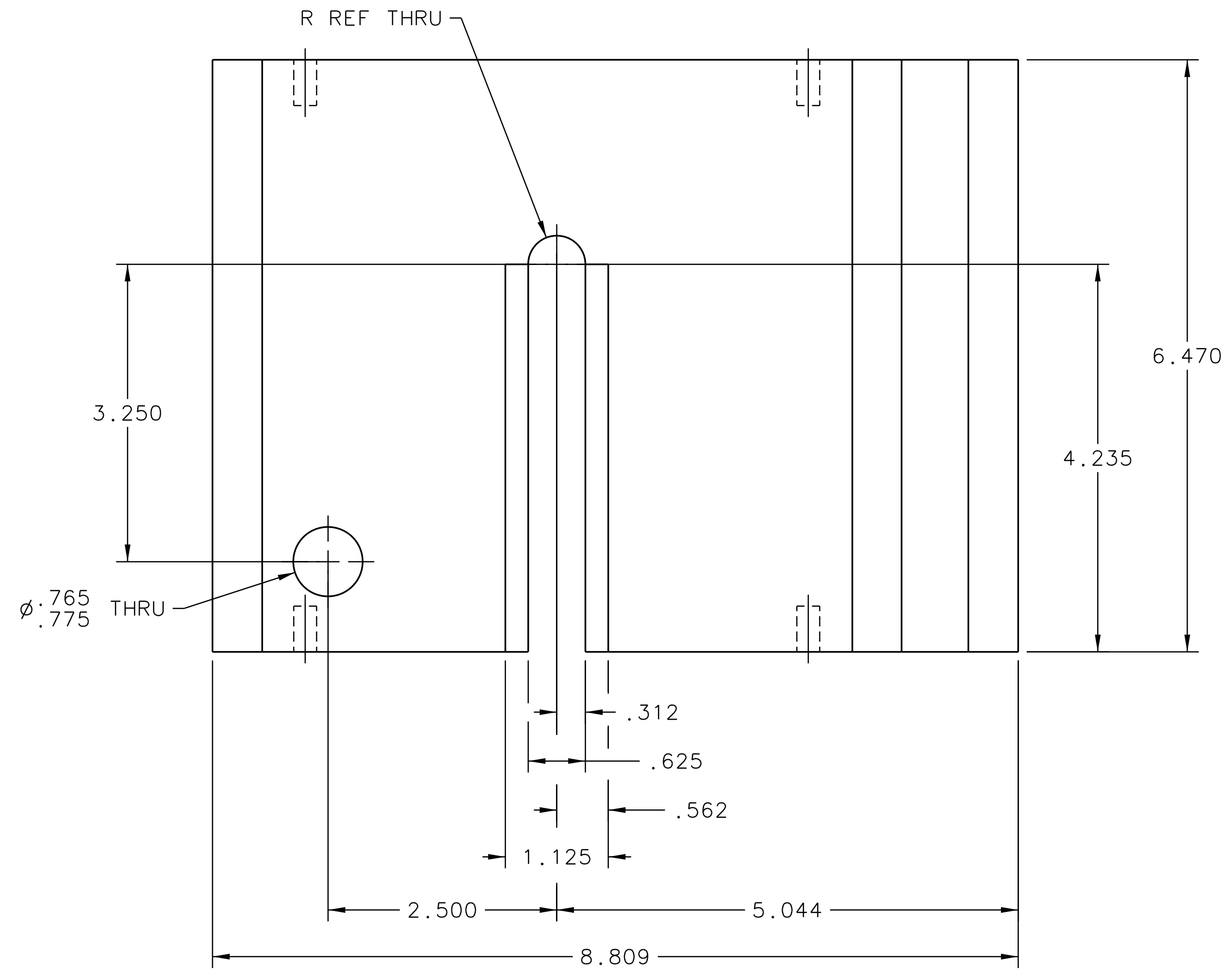
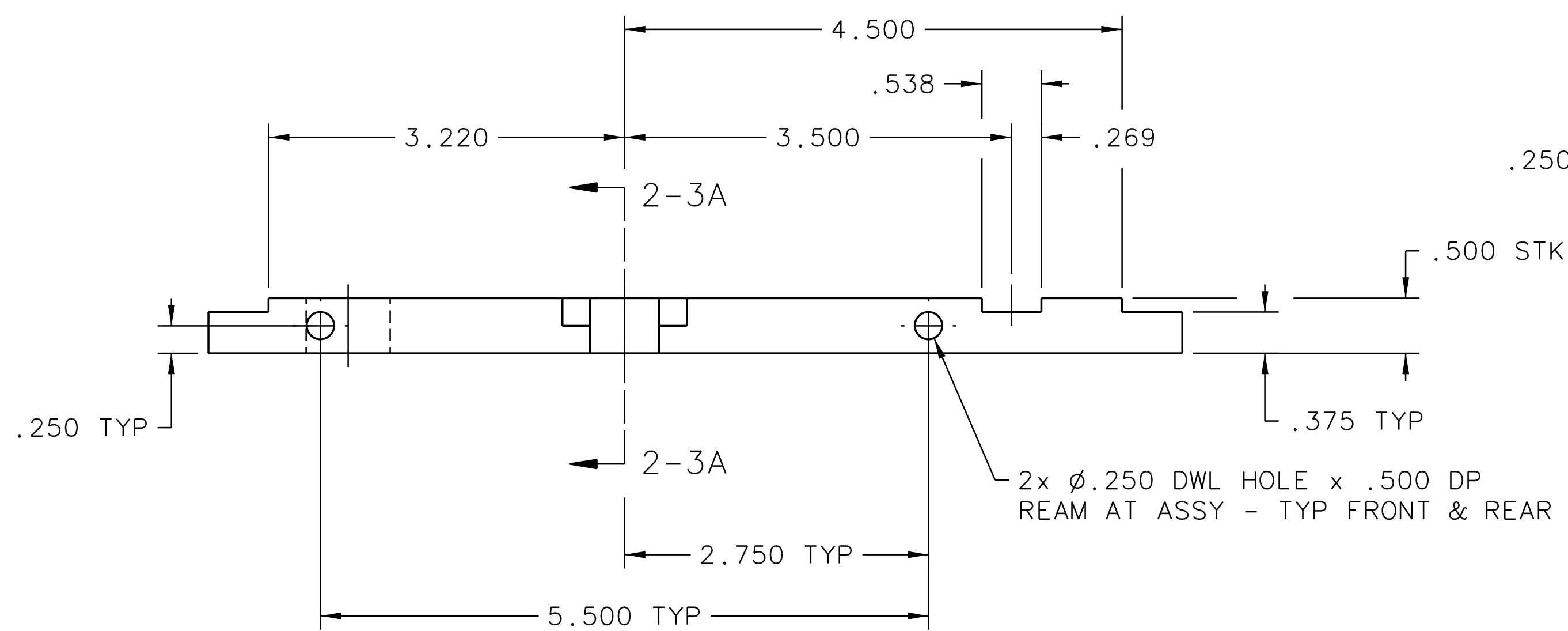


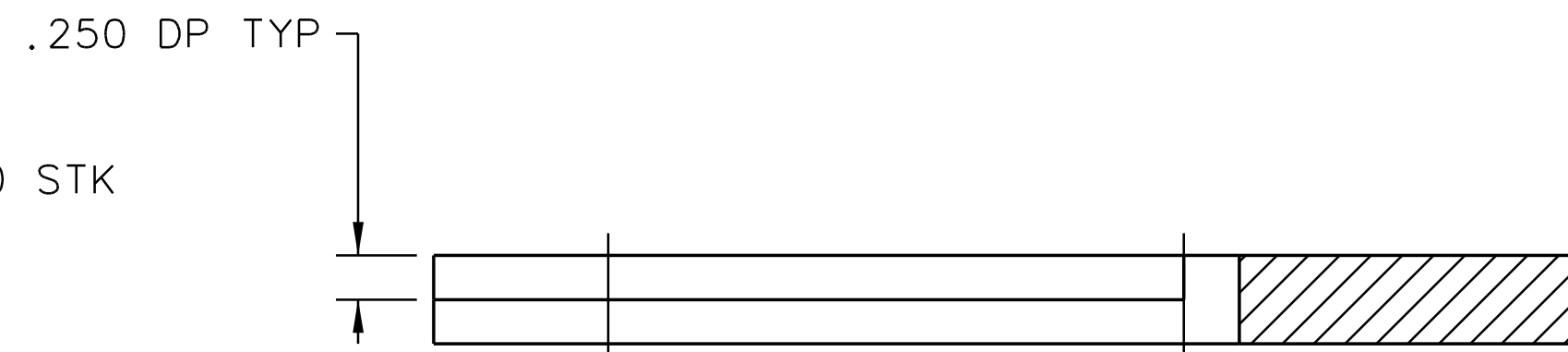
REVISION HISTORY				
ZONE	REV	DESCRIPTION	DATE	APPROVED



TOP VIEW 2-6B



FRONT VIEW 2-6A



SECTION VIEW 2-3A
(2-6A)

DOCUMENT CONTROL STAMP	DIM & TOL PER ASME Y14.5 UNLESS OTHERWISE SPECIFIED DIMENSIONS ARE IN INCHES TOLERANCES ARE: FRACTIONS DECIMAL ANGLES ± N/A .X ± .1 ± .50° .XX ± .01 .XXX ± .005	TRACKING NO. N/A		United States Department of Energy	 Jefferson Lab Thomas Jefferson National Accelerator Facility Newport News Virginia
		APPROVALS	DATE		
MATERIAL CS85 STRUCTURAL INSULATION	THIRD ANGLE PROJECTION	DRAWN S. ESP	08 NOV 11	SIZE	DWG. NO.
FINISH MACHINED SURFACES DEBURR & BREAK ALL SHARP EDGES	125 UNLESS OTHERWISE NOTED	CHECKED		D	A06122-03-04-0102
DO NOT SCALE DRAWING		APPROVED		SCALE	1 : 1
		APPROVED		USED ON ASSY NO: A06122-03-04-0100	SHEET 1 OF 1