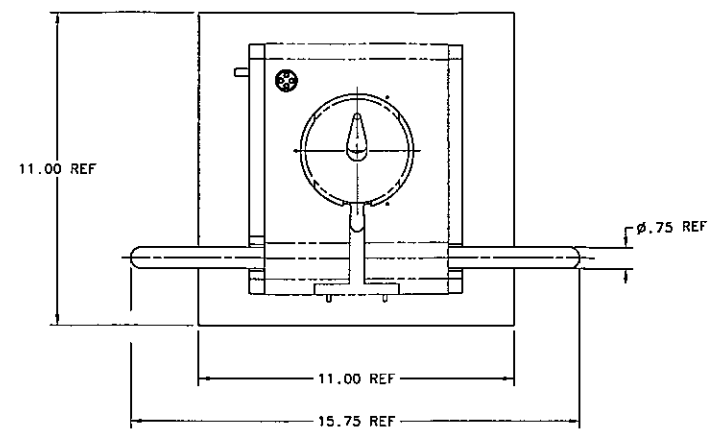
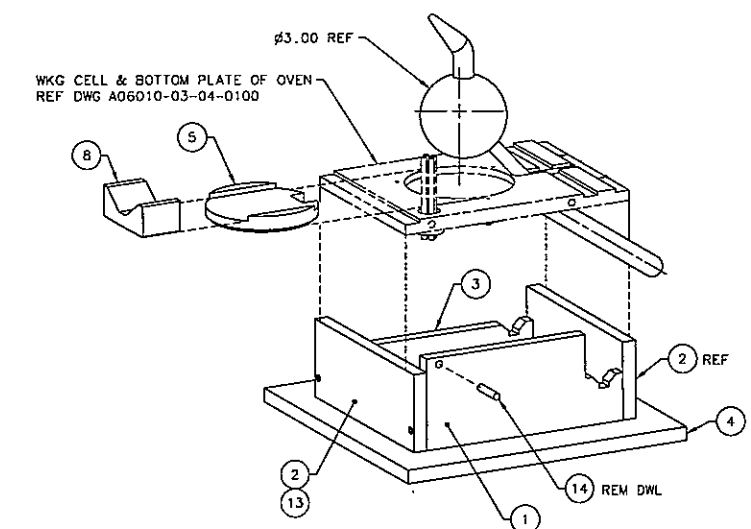


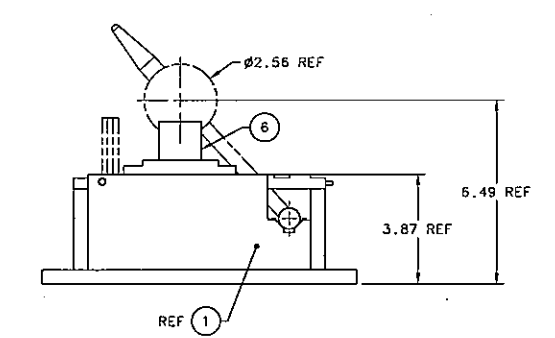
ZONE		REV	DESCRIPTION	DATE	APPROVED
1-28	A		ADDED ITEM 8 - SPRIT BLOCK FOR A 3.0 IN DIA CELL. EXPLODED VIEW 1-3F SHOWS THE NEW CELL W/ THE NEW SPRIT BLOCK.	23 FEB 07	SME
1-3F					



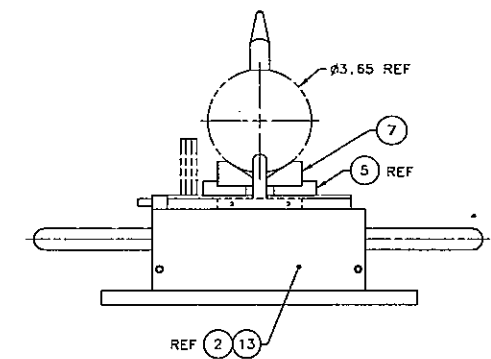
TOP VIEW 1-6F
(FIXTURE SHOWN W/ OVEN BOTTOM PLATE AND 3.5 DIA TRANSV/LONG CELL)



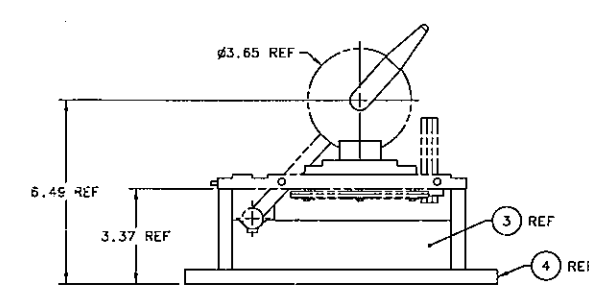
EXPLODED VIEW 1-3F
(FIXTURE SHOWN W/ OVEN BOTTOM PLATE AND 3.0 DIA TRANSV/LONG CELL)



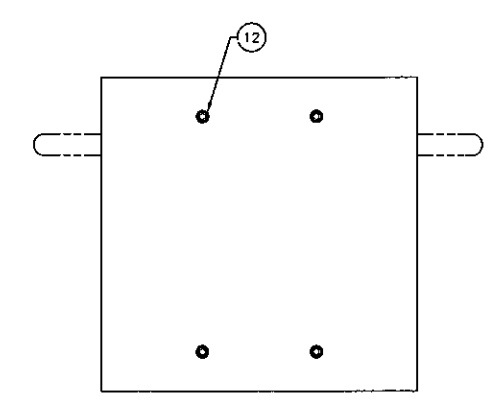
L SIDE VIEW 1-8D
(FIXTURE SHOWN W/ OVEN BOTTOM PLATE AND 2.5 DIA TRANSV/VERT CELL)



FRONT VIEW 1-6D
(FIXTURE SHOWN W/ OVEN BOTTOM PLATE AND 3.5 DIA TRANSV/LONG CELL)



R SIDE VIEW 1-4D
(FIXTURE SHOWN W/ OVEN BOTTOM PLATE AND 3.5 DIA TRANSV/VERT CELL)



BOTTOM VIEW 1-6A

QTY	ITEM NO.	PART NO.	DESCRIPTION	UNIT	REVISION
1	14	McMASTER-CARR 8446K15	REMOVABLE DOWEL 1/4 DIA x 1.00 LG	VERY HIGH TEMP NONPOROUS HIGH-ALUMINA CERAMIC	-
4	13	McMASTER-CARR 97395A491	DOWEL PIN 1/4 DIA x 1.00 LG	STNLS STL	-
4	12	McMASTER-CARR 92185A540	SOCKET HEAD CAP SCREW 1/4-20 UNC x 3/4 LG	STNLS STL	-
-	11	-	-	-	-
-	10	-	-	-	-
-	9	-	-	-	-
1	8	A06010-07-01-0008	SPRIT BLOCK FOR 3.0 DIA CELL	6061-T6 ALUMINUM	-
1	7	A06010-07-01-0007	SPRIT BLOCK FOR 3.5 DIA CELL	6061-T6 ALUMINUM	-
1	6	A06010-07-01-0006	SPRIT BLOCK FOR 2.5 DIA CELL	6061-T6 ALUMINUM	-
1	5	A06010-07-01-0005	RETAINING PLATE	6061-T6 ALUMINUM	-
1	4	A06010-07-01-0004	BOTTOM PLATE	6061-T6 ALUMINUM	-
1	3	A06010-07-01-0003	VEE BLOCK	6061-T6 ALUMINUM	-
2	2	A06010-07-01-0002	SIDE RAIL	6061-T6 ALUMINUM	-
1	1	A06010-07-01-0001	VEE BLOCK W/ STOP	6061-T6 ALUMINUM	-

- NOTES:
1. DOWEL HAS A STOCK DIAMETER OF ±.001. CUT 0.01 CHAMFER ON BOTH ENDS.
 2. TOTAL WEIGHT IS APPROXIMATELY 15 LBS.
 3. WEIGHT OF FIXTURE ONLY IS APPROXIMATELY 11 LBS.

DOCUMENT CONTROL STAMP

AS NOTED

THIRD ANGLE PROJECTION

APPROVALS

DATE

11 DEC 06

19 DEC 06

19 DEC 06

19 DEC 06

HALL A TRANSVERSITY - EXP E06-010 FIXTURES WKG CELL GLUE UP FIXTURE

A06Q10-07-01-0000

SCALE 1:2

SHEET 1 OF 1