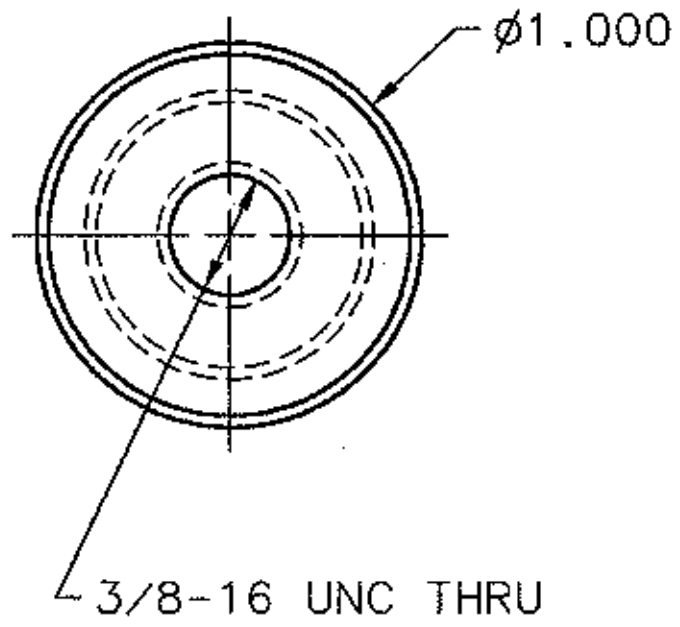
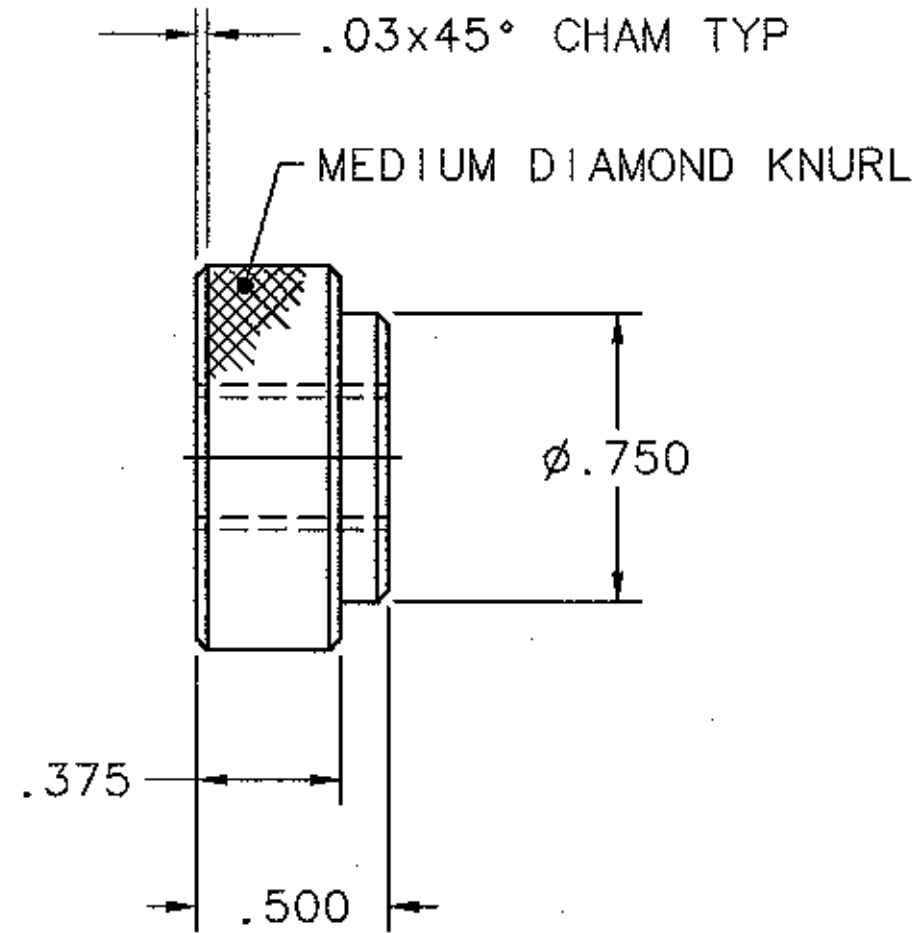


REVISION HISTORY				
ZONE	REV	DESCRIPTION	DATE	APPROVED



END VIEW 1-4B



R SIDE VIEW 1-3B

DOCUMENT CONTROL STAMP <b>DCG</b>	DIM & TOL PER ASME Y14.5 UNLESS OTHERWISE SPECIFIED DIMENSIONS ARE IN INCHES TOLERANCES ARE: FRACTIONS DECIMAL ANGLES $\pm$ N/A .X $\pm$ .1 $\pm$ .50° .XX $\pm$ .01 .XXX $\pm$ .005	TRACKING NO. N/A		Thomas Jefferson National Accelerator Facility NEWPORT NEWS, VIRGINIA UNITED STATES DEPARTMENT OF ENERGY	
		APPROVALS	DATE	HALL A - PHA - EXP E97-110 He3 ASSEMBLY - RF SUBASSY TARGET OVEN - CPLR TRANSV EPR ASSY CPLR TRANSV 3/8 NUT E97110	
MATERIAL ULTEM	THIRD ANGLE PROJECTION	DRAWN S. ESP	24 OCT 02	SIZE DWG. NO. REV. <b>C</b> 65640-C-54478-05 -	
FINISH MACHINED SURFACES UNLESS OTHERWISE NOTED DEBURR & BREAK ALL SHARP EDGES		CHECKED <i>[Signature]</i>	25 OCT 02	SCALE 2:1 USED ON ASSY NO. 65640-E-54478-00 SHEET 1 OF 1	
DO NOT SCALE DRAWING		APPROVED <i>[Signature]</i>	26 OCT 02		
		APPROVED <i>[Signature]</i>	28 OCT 02		