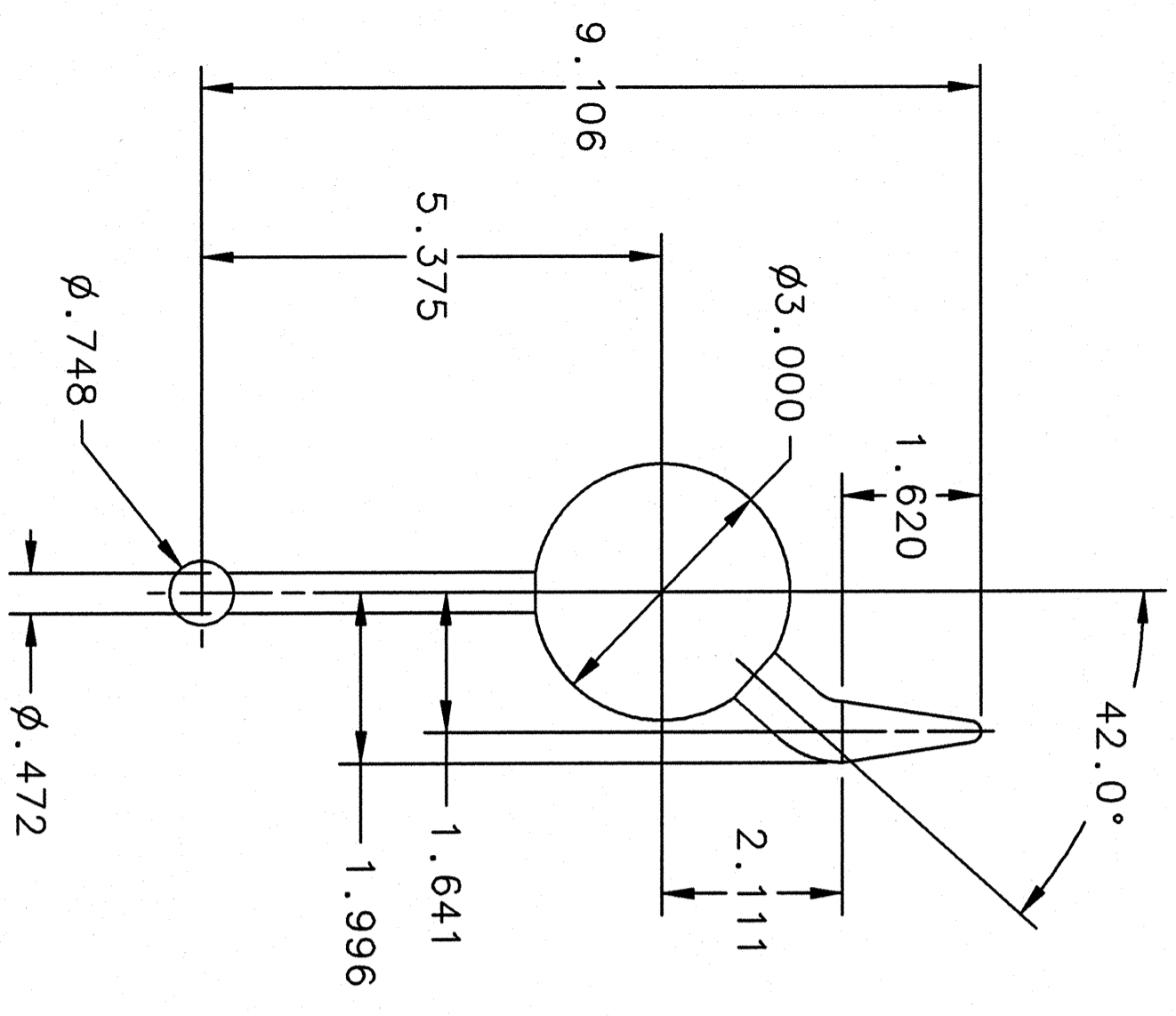
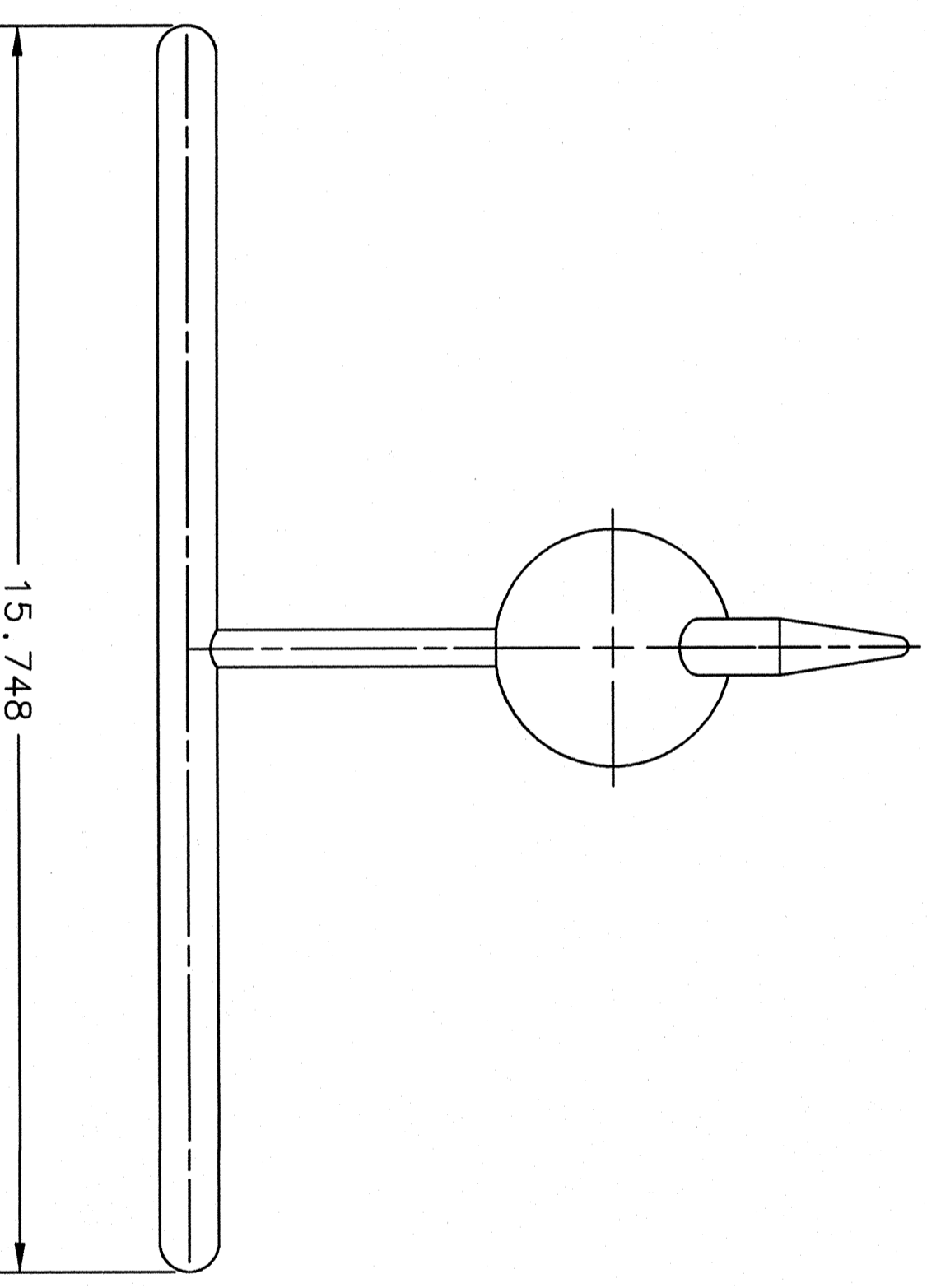


REVISION HISTORY				
ZONE	REV	DESCRIPTION	DATE	APPROVED



FRONT VIEW 1-4B



R SIDE VIEW 1-2B

DOCUMENT CONTROL STAMP 		DIM & TOL PER ASME Y14.5 UNLESS OTHERWISE SPECIFIED DIMENSIONS ARE IN INCHES TOLERANCES ARE: FRACTIONS DECIMAL ANGLES ± N/A .XX ± .01 ± .50° .XXX ± .005		TRACKING NO. N/A	
MATERIAL GLASS		THIRD ANGLE PROJECTION 		APPROVALS DRAWN: A. GAWVA CHECKED:	
FINISH MACHINED SURFACES DEBURR & BREAK ALL SHARP EDGES		UNLESS OTHERWISE NOTED		DATE 13 FEB 07	
DO NOT SCALE DRAWING		APPROVED:		HALL A - TRANSVERSITY - EXP E06-010 TARGET SYSTEM OVEN ASSEMBLY WORKING 3.0 DIA CELL TRANSV/LONG	
SCALE 1:2		SIZE DWG. NO. A06010-03-04-0117		Thomas Jefferson National Accelerator Facility NEWPORT NEWS, VIRGINIA UNITED STATES DEPARTMENT OF ENERGY JeffLab	
SHEET 1 OF 1		REV. -		SHEET 1 OF 1	

4 3 2 1