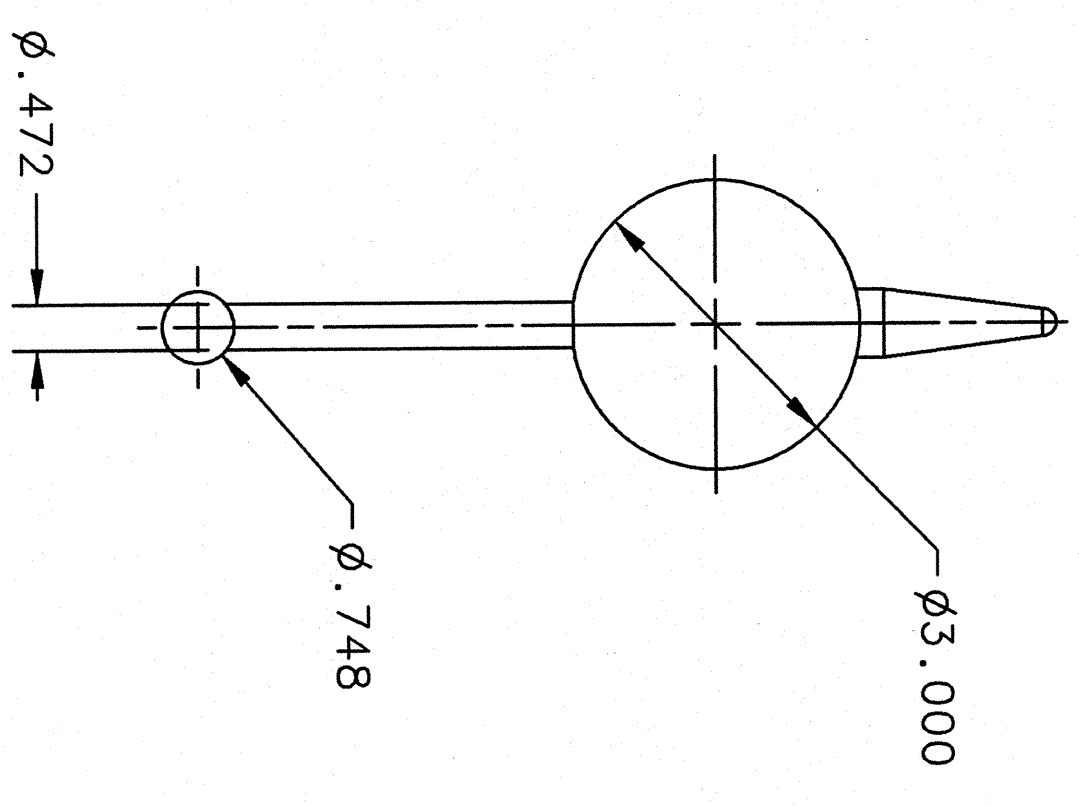
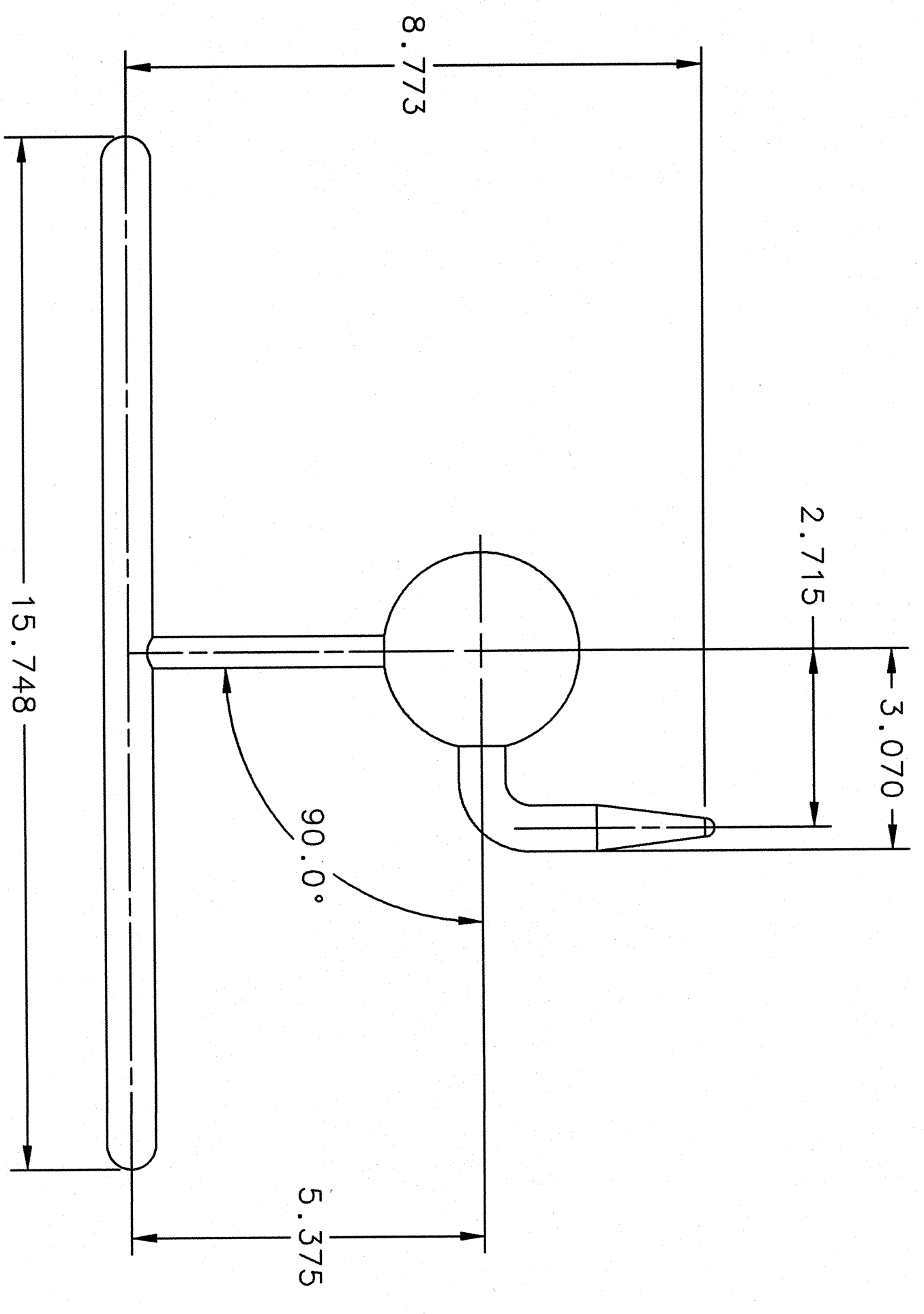


REVISION HISTORY				
ZONE	REV	DESCRIPTION	DATE	APPROVED



FRONT VIEW 1-4B



R SIDE VIEW 1-2B

DOCUMENT CONTROL STAMP 		DIM & TOL PER ASME Y14.5 DIMENSIONS ARE IN INCHES TOLERANCES ARE: FRACTIONS ± N/A DECIMAL .XX ± .01 .XXX ± .005 ANGLES ± .50°		TRACKING NO. N/A		Thomas Jefferson National Accelerator Facility UNITED STATES DEPARTMENT OF ENERGY 	
MATERIAL GLASS		THIRD ANGLE PROJECTION 		APPROVALS DRAWN: A. GUNAWA CHECKED: APPROVED: DATE: 13 FEB 07		HALL A - TRANSVERSITY - EXP E06-010 TARGET SYSTEM OVEN ASSEMBLY WORKING 3.0 DIA CELL TRANSV/VERT SIZE DWG. NO. A06010-03-04-0118 SCALE 1:2	
FINISH MACHINED SURFACES UNLESS OTHERWISE NOTED DEBURR & BREAK ALL SHARP EDGES		UNLESS OTHERWISE NOTED		DO NOT SCALE DRAWING		SHEET 1 OF 1	

4

3

2

1

A

B

C

D

4

3

2

1