

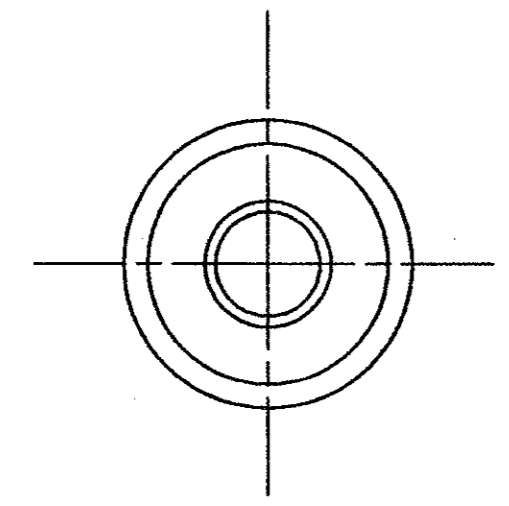
4

3

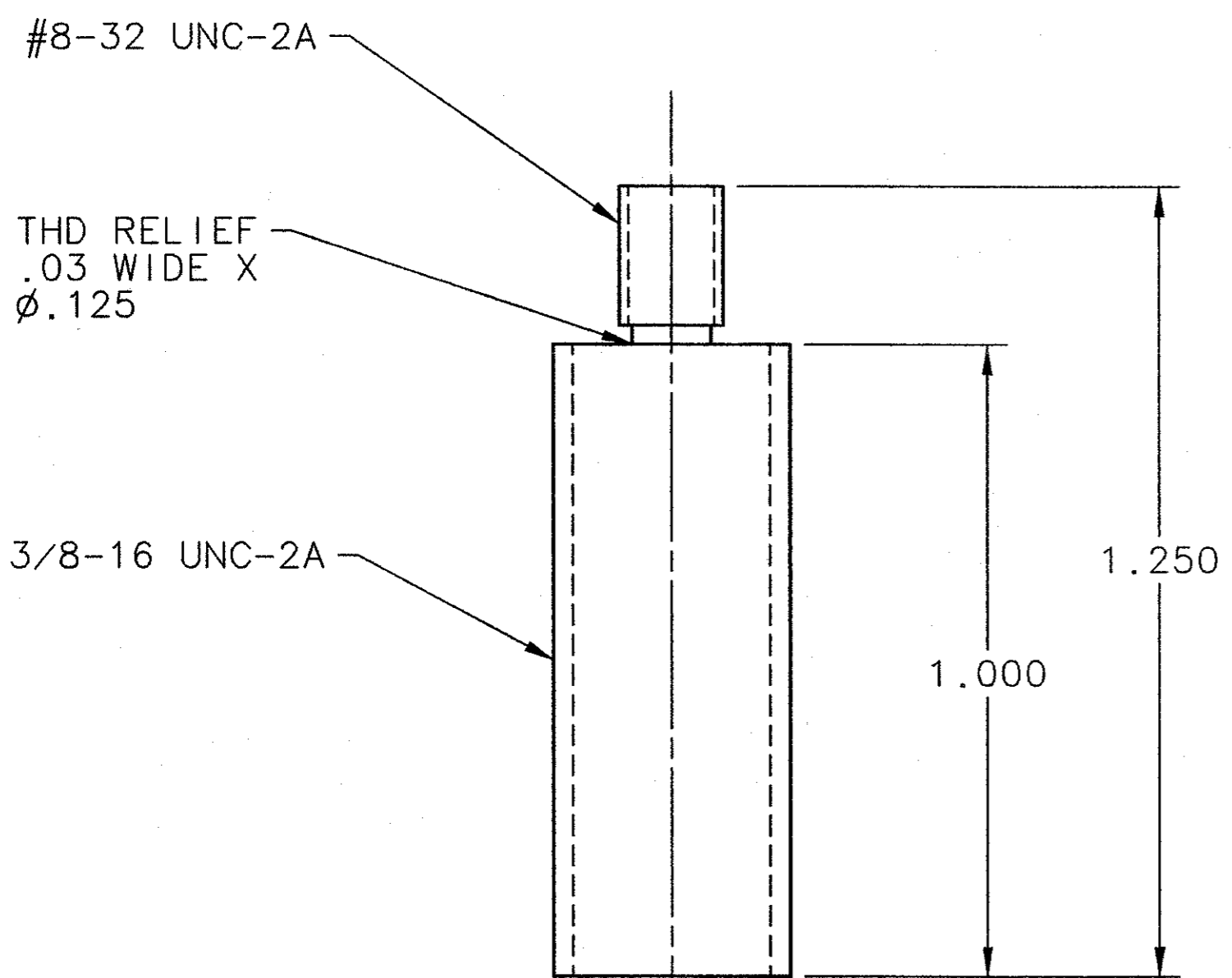
2

1

REVISION HISTORY				
ZONE	REV	DESCRIPTION	DATE	APPROVED



TOP VIEW 1-4C



FRONT VIEW 1-4A

DOCUMENT CONTROL STAMP 	DIM & TOL PER ASME Y14.5 UNLESS OTHERWISE SPECIFIED DIMENSIONS ARE IN INCHES TOLERANCES ARE: FRACTIONS DECIMAL ANGLES ± N/A .X ± .1 ± .50° .XX ± .01 .XXX ± .005	TRACKING NO. N/A		United States Department of Energy Jefferson Lab <small>Thomas Jefferson National Accelerator Facility</small> Newport News Virginia
		APPROVALS	DATE	
MATERIAL ULTEM	THIRD ANGLE PROJECTION	DRAWN J. MILLER	26SEP08	HALL A - TRANSVERSTY - E06010 TARGET - TARGET SUBSYSTEM EPR ASSEMBLY CPLR TRNSV MTG POST
FINISH MACHINED SURFACES DEBURR & BREAK ALL SHARP EDGES		CHECKED <i>[Signature]</i>	26SEP08	
UNLESS OTHERWISE NOTED		APPROVED <i>[Signature]</i>	26SEP08	SIZE DWG. NO. C A06010-03-04-0304
DO NOT SCALE DRAWING		APPROVED <i>[Signature]</i>	27SEP08	REV. - SCALE 4:1 USED ON ASSY NO. A06010-03-04-0300 SHEET 1 OF 1

4

3

2

1