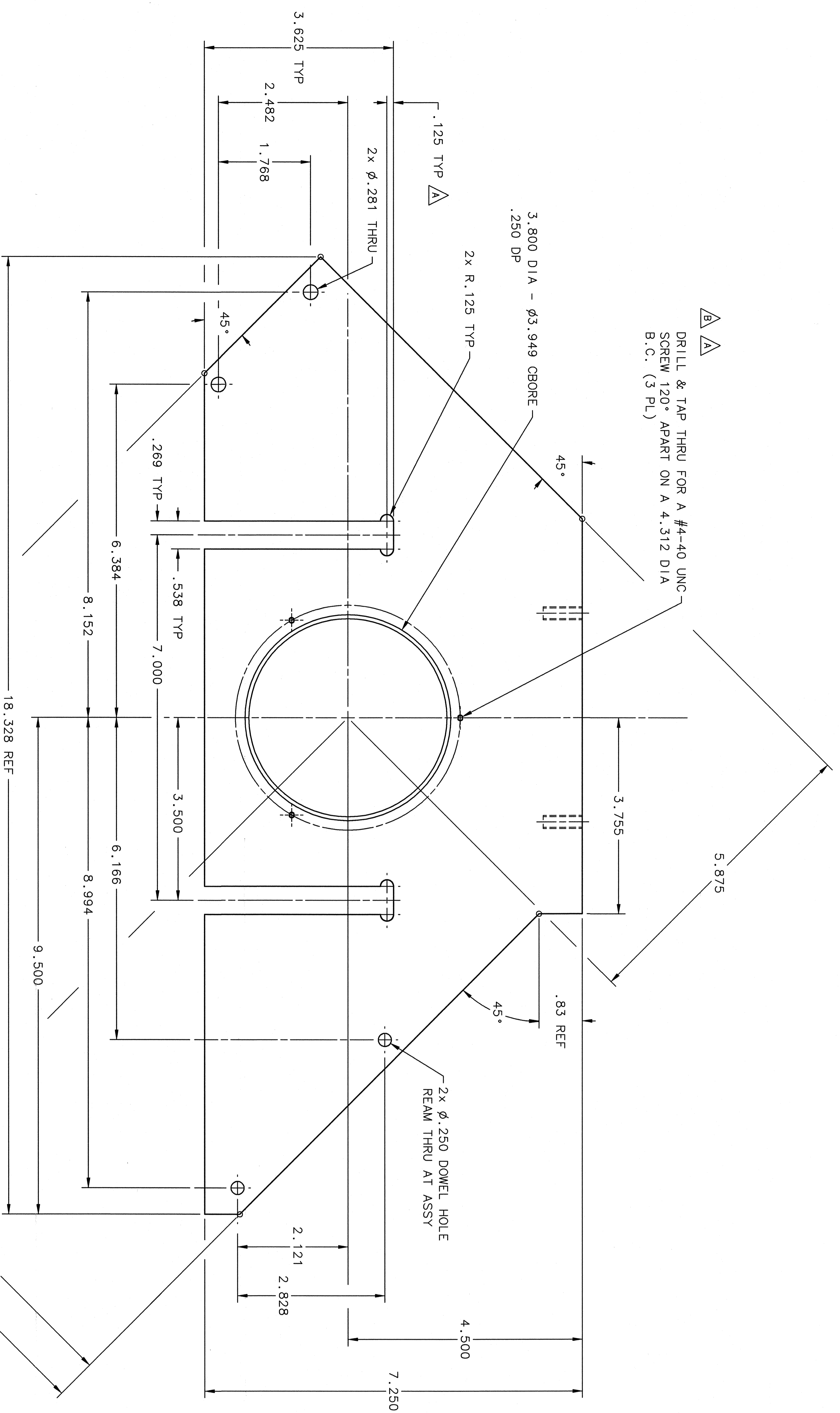


TOP VIEW 1-6G

ZONE	REV	DESCRIPTION	DATE	APPROVED
1-SH	A	ADDED #10-24 UNC HELICOILS (2 PL) HOLES	17 AUG 07	SME
1-7F	A	WERE 1/4-20 UNC	21 AUG 07	ARG
1-7F	A	ADDED #4-40 UNC HELICOILS (3 PL)		
1-8E	A	ADDED .125 DIA TO LOCATE POSN OF RADIIUS.		
ALL	B	ADDED NOTE 1.	28 NOV 07	SME
1-6H	B	PART NAME CHANGED FROM Z LONGITUDINAL WALL BL TO CS85 LONGITUDINAL WALL BL. MATERIAL CHG FROM ALUMIN-SILICA Z-500 TO CS85 STRUCTURAL INSULATION.	07 DEC 07	ARG
1-7F	B	DRILL & TAP FOR A 1/4-20 UNC SCREW (2 PL) WAS FOR A #10-24 UNC SCREW (2 PL)		
1-7F	B	REMOVED NOTE 1. HELICOIL - NITRONIC 60 INSERT. HELICOILS ARE NO LONGER REQUIRED		



FRONT VIEW 1-6A

REVISION HISTORY

ZONE	REV	DESCRIPTION	DATE	APPROVED
1-SH	A	ADDED #10-24 UNC HELICOILS (2 PL) HOLES	17 AUG 07	SME
1-7F	A	WERE 1/4-20 UNC	21 AUG 07	ARG
1-7F	A	ADDED #4-40 UNC HELICOILS (3 PL)		
1-8E	A	ADDED .125 DIA TO LOCATE POSN OF RADIIUS.		
ALL	B	ADDED NOTE 1.	28 NOV 07	SME
1-6H	B	PART NAME CHANGED FROM Z LONGITUDINAL WALL BL TO CS85 LONGITUDINAL WALL BL. MATERIAL CHG FROM ALUMIN-SILICA Z-500 TO CS85 STRUCTURAL INSULATION.	07 DEC 07	ARG
1-7F	B	DRILL & TAP FOR A 1/4-20 UNC SCREW (2 PL) WAS FOR A #10-24 UNC SCREW (2 PL)		
1-7F	B	REMOVED NOTE 1. HELICOIL - NITRONIC 60 INSERT. HELICOILS ARE NO LONGER REQUIRED		

DOCUMENT CONTROL STAMP

1005

CS85
STRUCTURAL INSULATION

DATE & TIME OF REVISIONS
DIMENSIONS ARE IN INCHES
± .001
± .002
± .005
± .010
± .015
± .020
± .030
± .040
± .050
± .060
± .070
± .080
± .090
± .100
± .125
± .150
± .175
± .200
± .250
± .300
± .375
± .450
± .500
± .625
± .750
± .875
± 1.000
± 1.250
± 1.500
± 1.750
± 2.000
± 2.500
± 3.000
± 3.750
± 4.500
± 5.000
± 6.250
± 7.500
± 8.750
± 10.000
± 12.500
± 15.000
± 17.500
± 20.000
± 25.000
± 30.000
± 35.000
± 40.000
± 45.000
± 50.000
± 55.000
± 60.000
± 65.000
± 70.000
± 75.000
± 80.000
± 85.000
± 90.000
± 95.000
± 100.000

THIRD ANGLE PROJECTION

APPROVALS

APPROVED	DATE
DESIGN	08 AUG 07
CHECKED	14 AUG 07
APPROVED	15 AUG 07

TRACKING NO. A06010-03-04

DATE 15 AUG 07

SCALE 1:1

HALL A - TRANSVERSITY - EXP E06-010

TARGET SYSTEM

OVEN ASSEMBLY

CS85 LONGITUDINAL WALL BL

SIZE 11.860

REV. B

SCALE 1:1

SHEET 1 OF 1