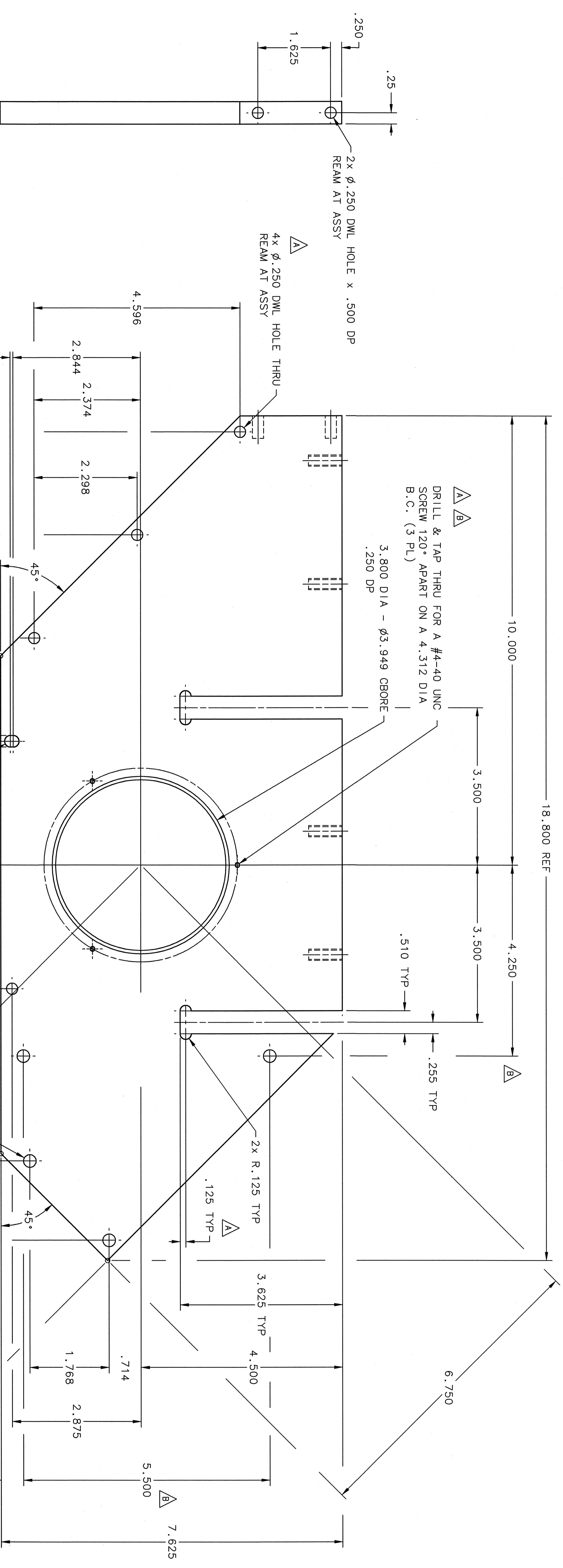


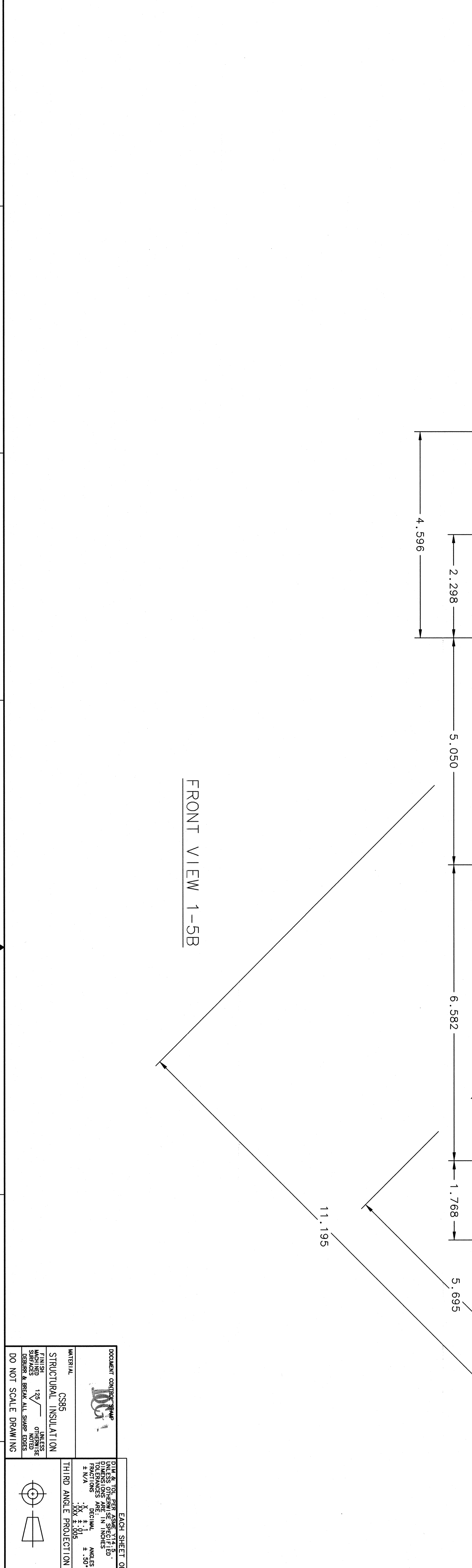
TOP VIEW 1-5G

ZONE	REV	DESCRIPTION	DATE	APPROVED
1-4H	A	ADDED #10-24 UNC HELICOILS (4 PL) HOLES WERE 1/4-20 UNC.	17 AUG 07	SME
1-8F	A	ADDED #4-40 UNC HELICOILS (3 PL)		
1-7E	A	4x $\phi$ .250 DWM HOLE THRU WAS 5x.		
1-5D	A	$\phi$ .250 DWM HOLE THRU CHANGED TO A SLOT. ADDED DIM'S TO LOCATE & DESCRIBE SLOT.		
1-3E	A	REMOVED SECTION VIEW 1-2C. CHANGED .125* CHAMFER WITH A .125 R IN EACH CORNER OF OUTOUT (2 PL) ADDED DIM'S TO LOCATE POSN OF RADII'S.		
1-6F	A	ADDED NOTE 1.		
1-4H	B	PART NAME WAS CHANGED FROM Z TRANSVERSE WALL US TO CS85 TRANSVERSE WALL US. MATERIAL CHG FROM ALUMINA-SILICA Z-500 TO CS85 STRUCTURAL INSULATION. DRILL & TAP FOR A 1/4-20 UNC SCREW (4 PL) WAS FOR A #10-24 UNC SCREW (4 PL)	28 NOV 07	SME
1-6F	B	REMOVED NOTE 1. HELICOIL - NITRONIC 60 INSERT. HELICOILS ARE NO LONGER REQUIRED		
1-4F	B	ADDED TWO .281 DIA CLEARANCE HOLES AND THREE LOCATIONAL DIMENSIONS.		
1-2E	B			



FRONT VIEW 1-5B

L SIDE VIEW 1-8B



<b>DOCUMENT CONTROL</b> 		<b>DATE &amp; TIME FOR ASSEMBLY</b> DIMENSIONS ARE IN INCHES FRACTIONS: 1/16, 1/8, 1/4, 3/8, 1/2, 5/8, 3/4, 7/8, 1	
<b>MATERIAL</b> CS85 STRUCTURAL INSULATION		<b>THIRD ANGLE PROJECTION</b> 	
<b>APPROVALS</b> DRAWN: S. EPP CHECKED: ALAN R. QUINN APPROVED: [Signature] DATE: 14 MAR 07		<b>DATE</b> 14 MAR 07	
<b>PROJECT</b> HALL A - TRANSVERSE - EXP E06-010 TARGET SYSTEM OVEN ASSEMBLY CS85 TRANSVERSE WALL US		<b>SCALE</b> 1:1	

8 7 6 5 4 3 2 1

A B C D E F G H