

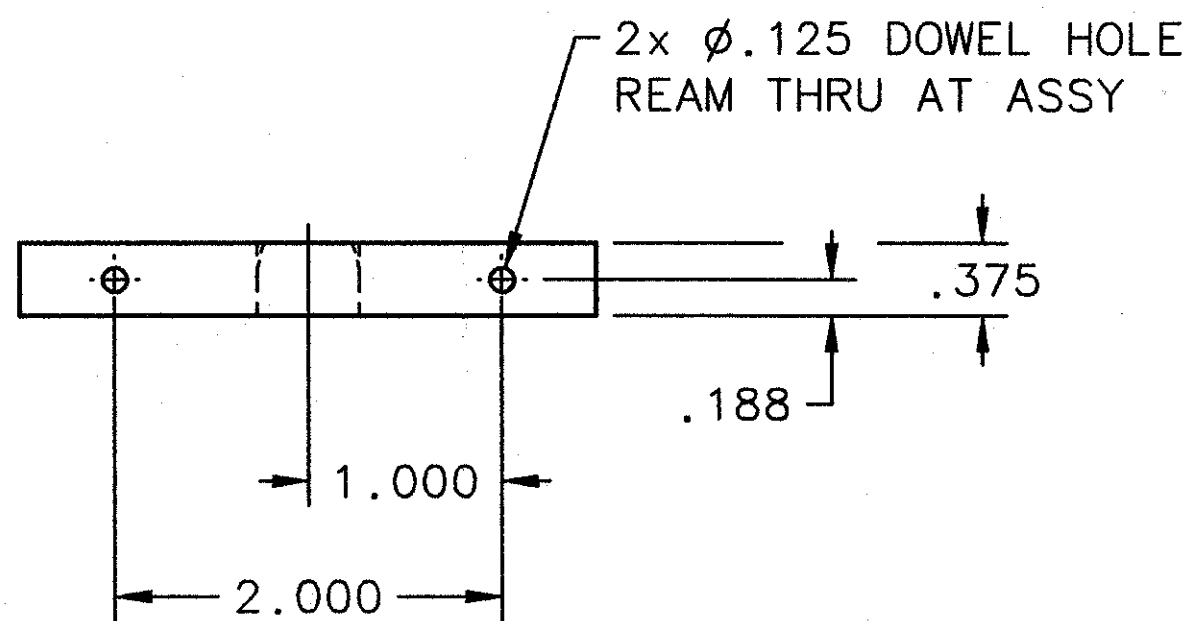
4

3

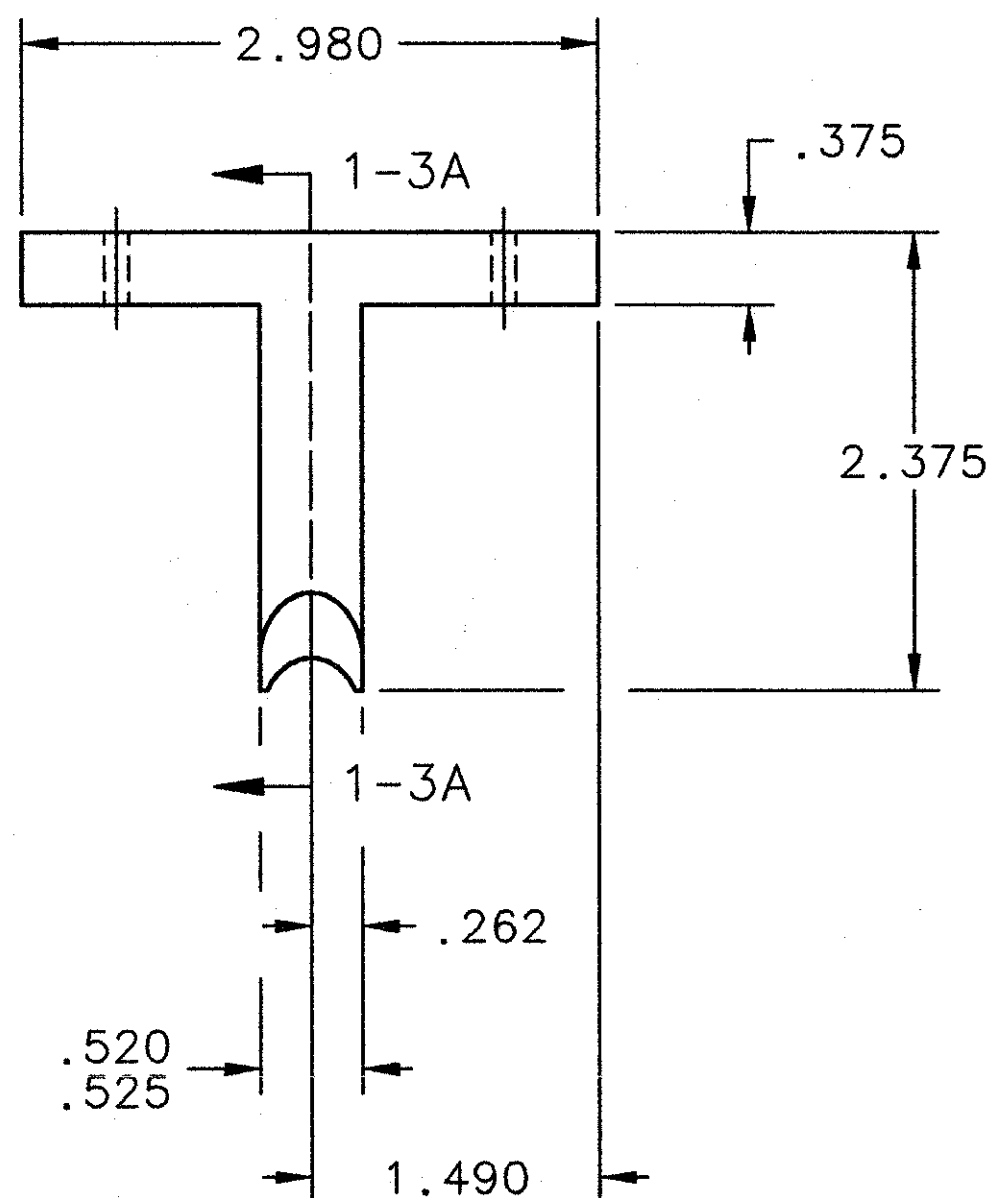
2

1

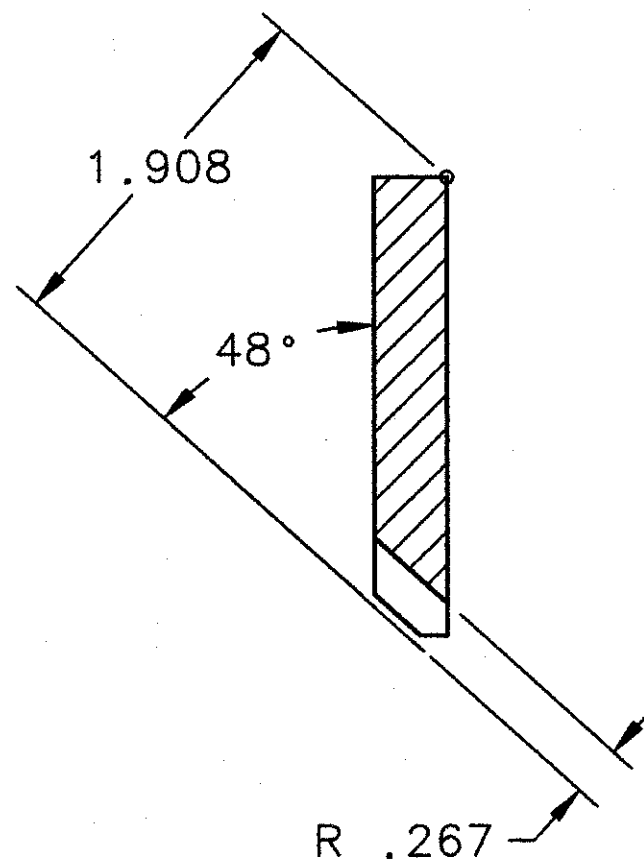
REVISION HISTORY				
ZONE	REV	DESCRIPTION	DATE	APPROVED
ALL	A	PART NAME WAS CHNG FROM Z CELL RETAINER TO CS85 CELL RETAINER. MATERIAL CHNG FROM ALUMINA-SILICA Z-500 TO CS85 STRUCTURAL INSULATION.	28 NOV 07 07DEC07	SME <i>ary</i>



TOP VIEW 1-4C



FRONT VIEW 1-4B



SECTION VIEW 1-3B

DOCUMENT CONTROL STAMP <b>100</b>	DIM & TOL PER ASME Y14.5 UNLESS OTHERWISE SPECIFIED DIMENSIONS ARE IN INCHES TOLERANCES ARE: FRACTIONS DECIMAL ANGLES ± N/A .X ± .1 ± .50° .XX ± .01 .XXX ± .005	TRACKING NO. A06010-03-04		 Thomas Jefferson National Accelerator Facility NEWPORT NEWS, VIRGINIA UNITED STATES DEPARTMENT OF ENERGY	
		APPROVALS	DATE	HALL A -TRANSVERSITY- EXP E06-010 TARGET SYSTEM OVEN ASSEMBLY CS85 CELL RETAINER	
MATERIAL CS85 STRUCTURAL INSULATION	THIRD ANGLE PROJECTION	DRAWN S. ESP	08 AUG 07		
FINISH MACHINED SURFACES 125 UNLESS OTHERWISE NOTED DEBURR & BREAK ALL SHARP EDGES		CHECKED ALAN R. GAVALYA	14 AUG 07		
DO NOT SCALE DRAWING		APPROVED JIAN-PING CHEN	14 AUG 07	SIZE DWG. NO. <b>C</b> A06010-03-04-1206	REV. A
		APPROVED PAUL BRINDZA	15 AUG 07	SCALE 1:1 USED ON ASSY NO. A06010-03-04-1200	SHEET 1 OF 1

4

3

2

1