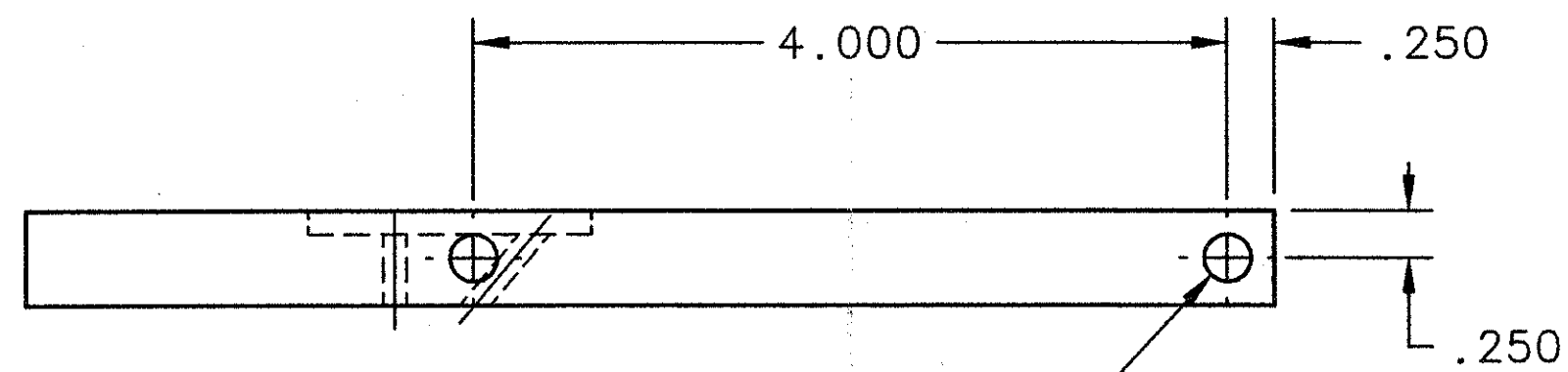
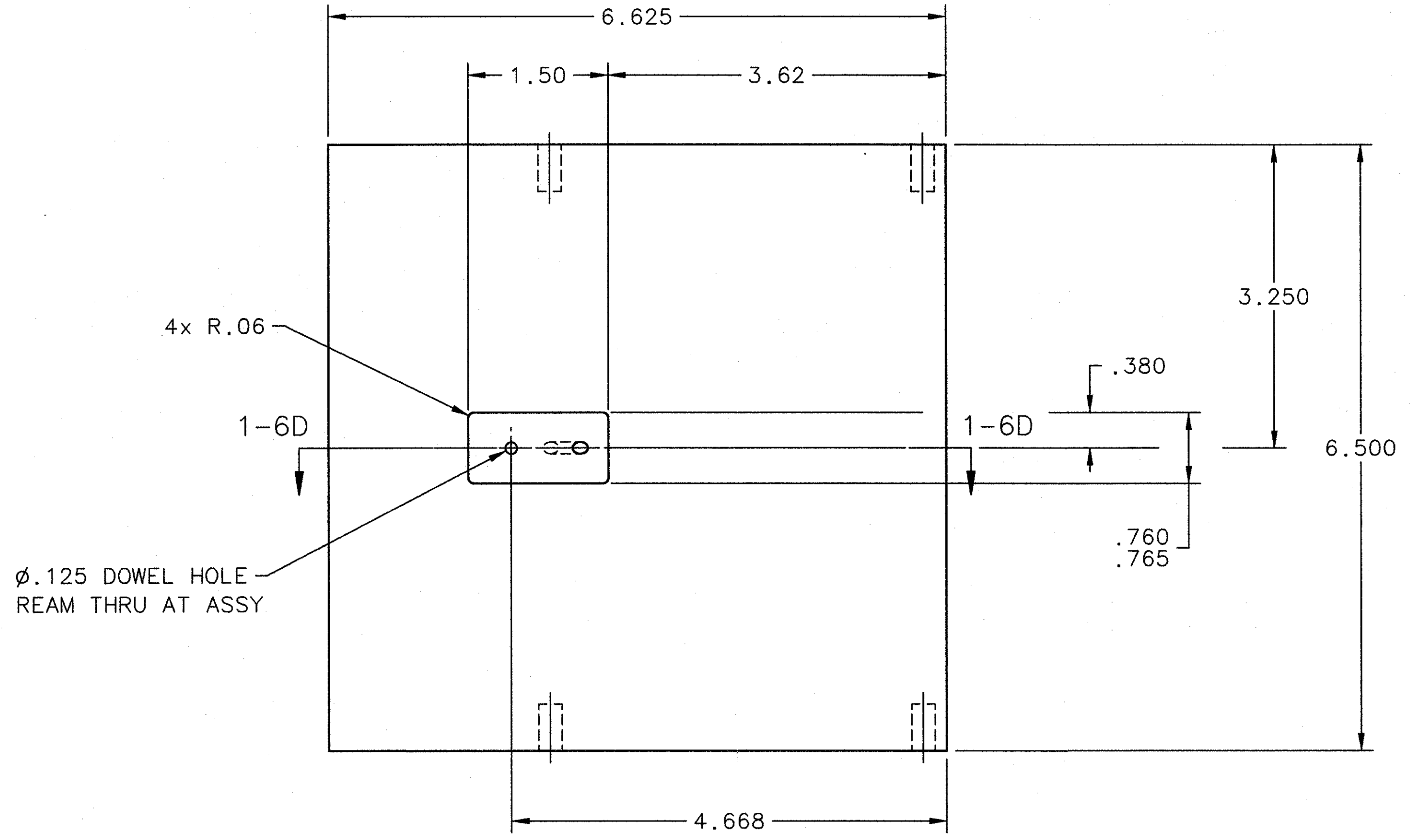
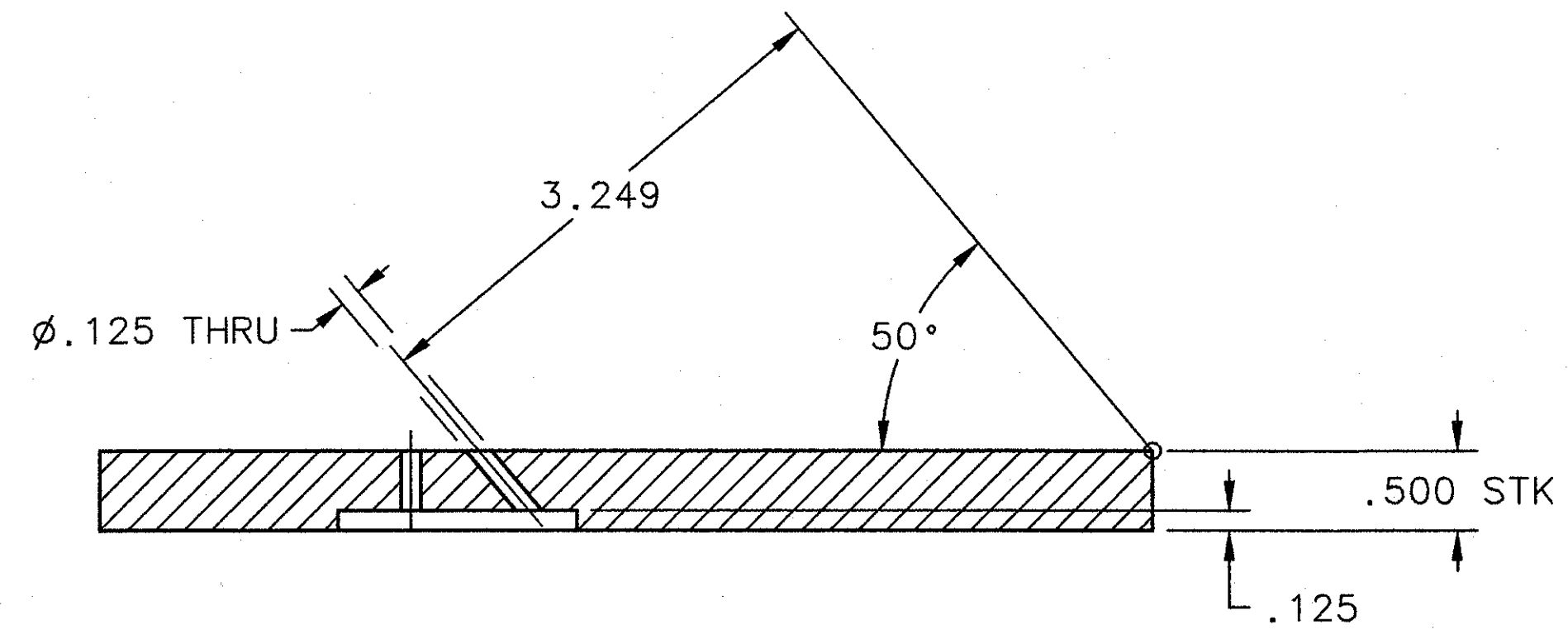


REVISION HISTORY				
ZONE	REV	DESCRIPTION	DATE	APPROVED
ALL	A	PART NAME WAS CHANGED FROM Z LASER BEAM STOP TO CS85 LASER BEAM STOP. MATERIAL CHNG FROM ALUMINA-SILICA Z-500 TO CS85 STRUCTURAL INSULATION.	28 NOV 07 07DEC07	SME AR8



2x  $\phi$ .250 DWL HOLE x .500 DP  
TYP ON F.S. - REAM AT ASSY

DOCUMENT CONTROL STAMP <b>DCI</b>	DIM & TOL PER ASME Y14.5 UNLESS OTHERWISE SPECIFIED DIMENSIONS ARE IN INCHES TOLERANCES ARE: FRACTIONS DECIMAL ANGLES $\pm$ N/A .XX $\pm$ .01 $\pm$ .50° .XXX $\pm$ .005	TRACKING NO. A06010-03-04		 Thomas Jefferson National Accelerator Facility NEWPORT NEWS, VIRGINIA UNITED STATES DEPARTMENT OF ENERGY	
		APPROVALS	DATE	HALL A -TRANSVERSITY- EXP E06-010 TARGET SYSTEM OVEN ASSEMBLY CS85 LASER BEAM STOP	
MATERIAL CS85 STRUCTURAL INSULATION	THIRD ANGLE PROJECTION	DRAWN S. ESP	14 AUG 07	SIZE <b>D</b>	DWG. NO. A06010-03-04-1207
FINISH MACHINED SURFACES DEBURR & BREAK ALL SHARP EDGES	UNLESS OTHERWISE NOTED	CHECKED ALAN R. GAVALYA	14 AUG 07	SCALE 1:1	REV. A
DO NOT SCALE DRAWING		APPROVED JIAN-PING CHEN	14 AUG 07	SHEET 1 OF 1	
		APPROVED PAUL BRINDZA	15 AUG 07	USED ON ASSY NO. A06010-03-04-1200	