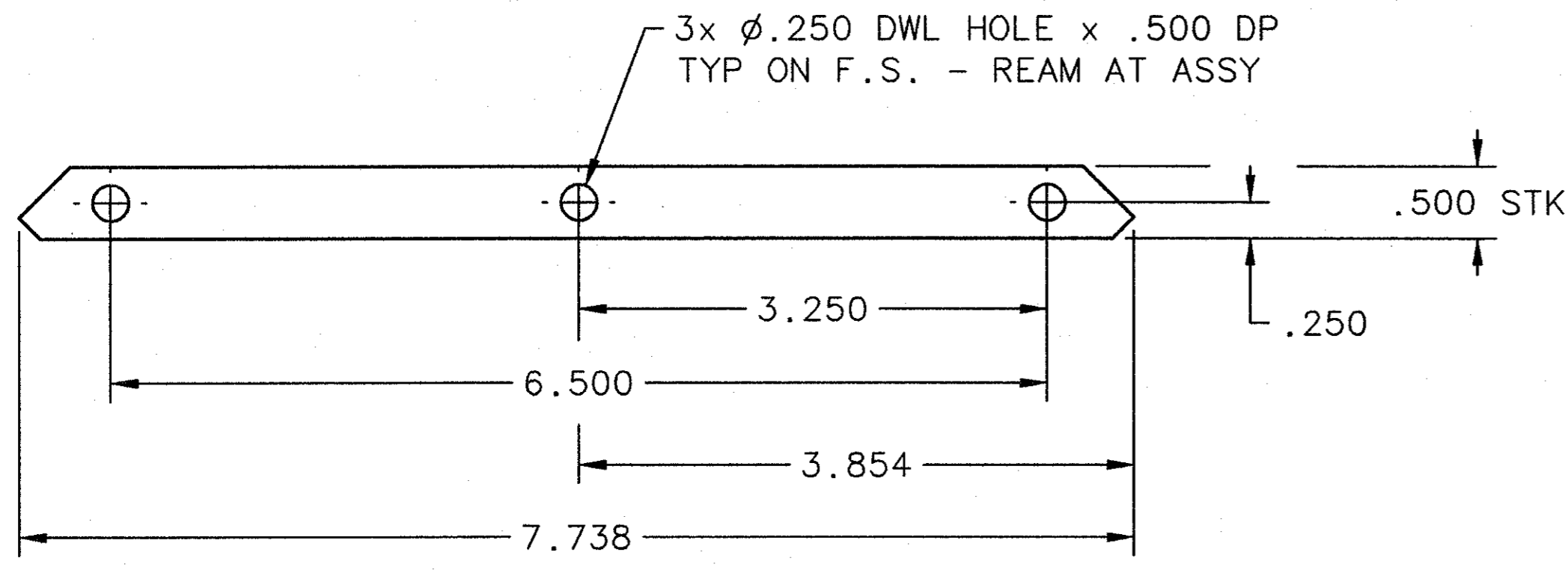
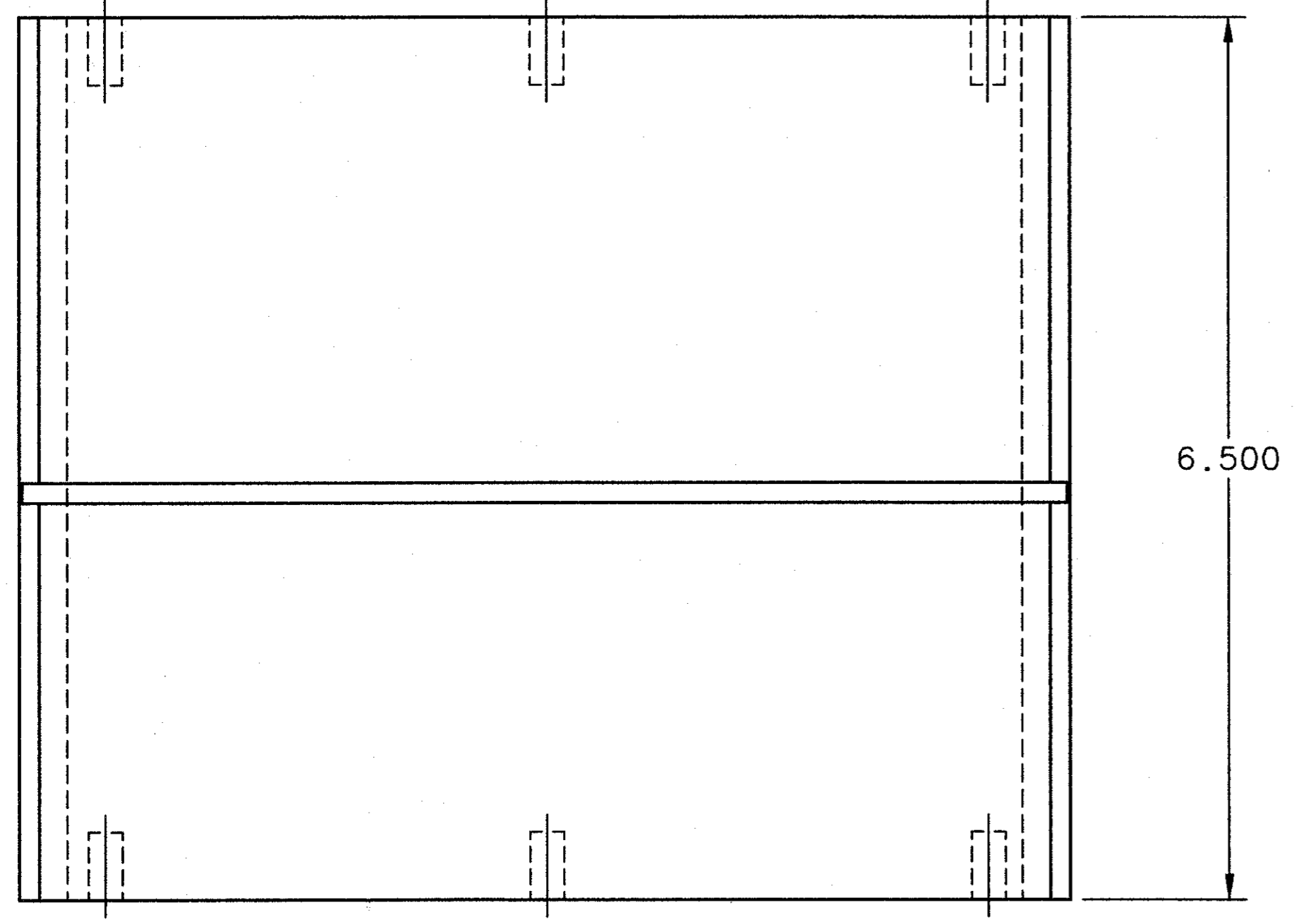


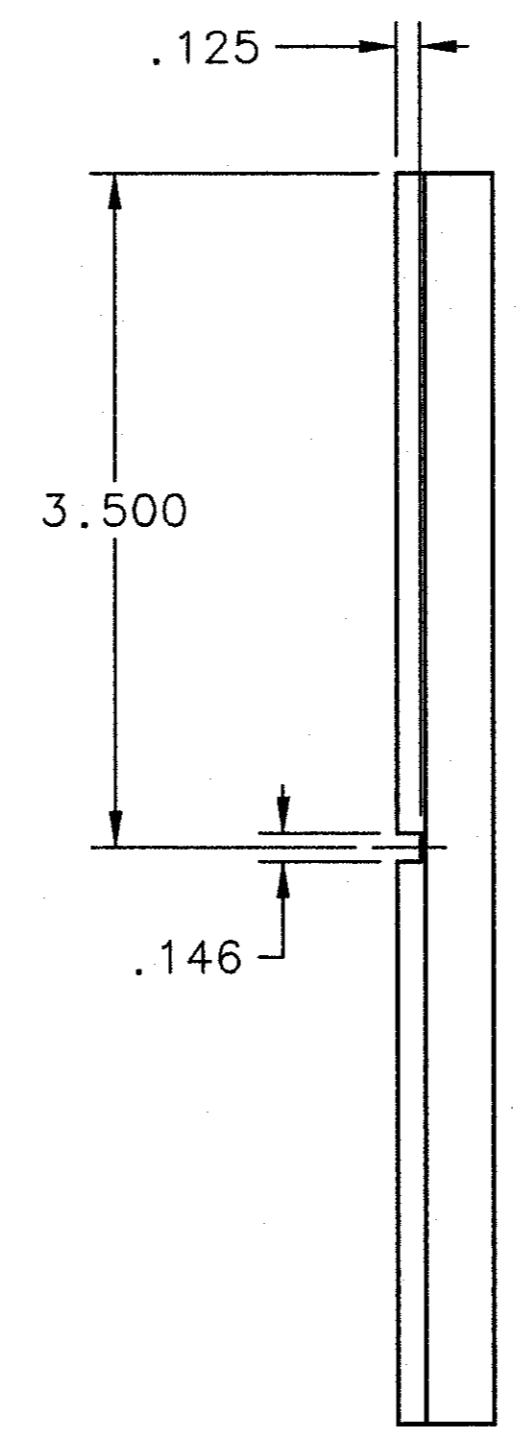
REVISION HISTORY				
ZONE	REV	DESCRIPTION	DATE	APPROVED
ALL	A	PART NAME WAS CHANGED FROM Z LASER BEAM STOP STATIC TO CS85 LASER BEAM STOP STATIC MATERIAL CHNG FROM ALUMINA-SILICA Z-500 TO CS85 STRUCTURAL INSULATION.	28 NOV 07 07DEC07	SME ARJ



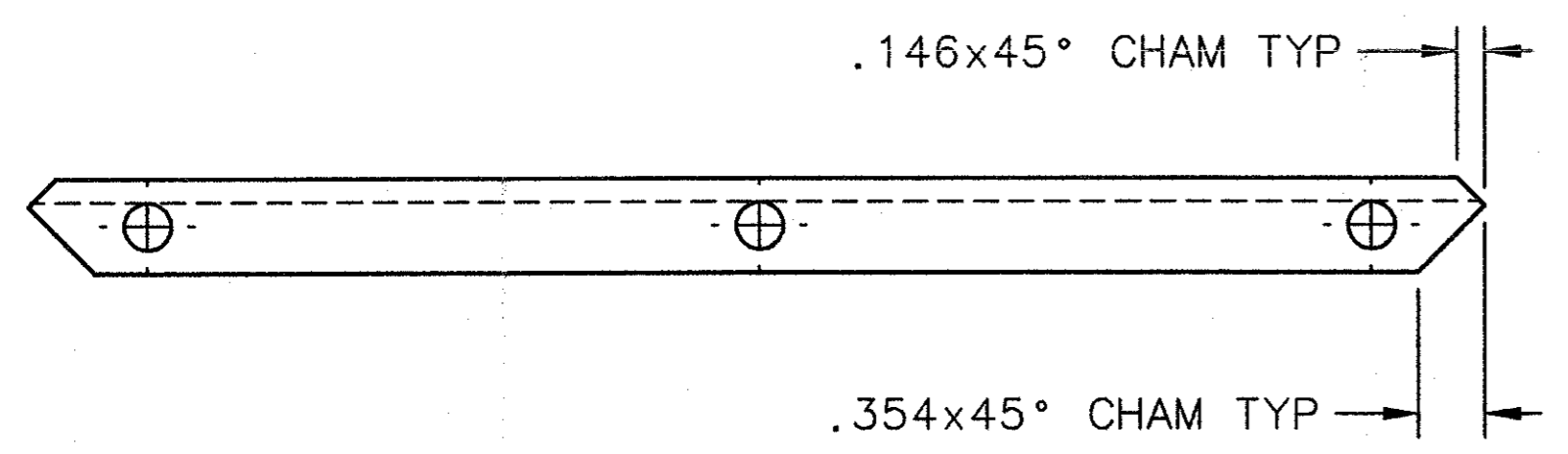
TOP VIEW 1-7D



FRONT VIEW 1-7B



R SIDE VIEW 1-4B



BOTTOM VIEW 1-7A

DOCUMENT CONTROL STAMP 	DIM & TOL PER ASME Y14.5 UNLESS OTHERWISE SPECIFIED DIMENSIONS ARE IN INCHES TOLERANCES ARE: FRACTIONS: ± N/A DECIMAL: .XX ± .01 ANGLES: ± .50° THIRDS: ± .005	TRACKING NO. A06010-03-04		United States Department of Energy Newport News Virginia
		APPROVALS DRAWN S. ESP CHECKED ALAN R. CAVALYA APPROVED JIAN-PING CHEN APPROVED PAUL BRINDZA	DATE 08 AUG 07 14 AUG 07 14 AUG 07 15 AUG 07	
MATERIAL CS85 STRUCTURAL INSULATION FINISH MACHINED SURFACES UNLESS OTHERWISE NOTED DEBURR & BREAK ALL SHARP EDGES DO NOT SCALE DRAWING	THIRD ANGLE PROJECTION 	SIZE D	DWG. NO. A06010-03-04-1208	REV. A
		SCALE 1:1	USED ON ASSY NO. A06010-03-04-1200 SHEET 1 OF 1	