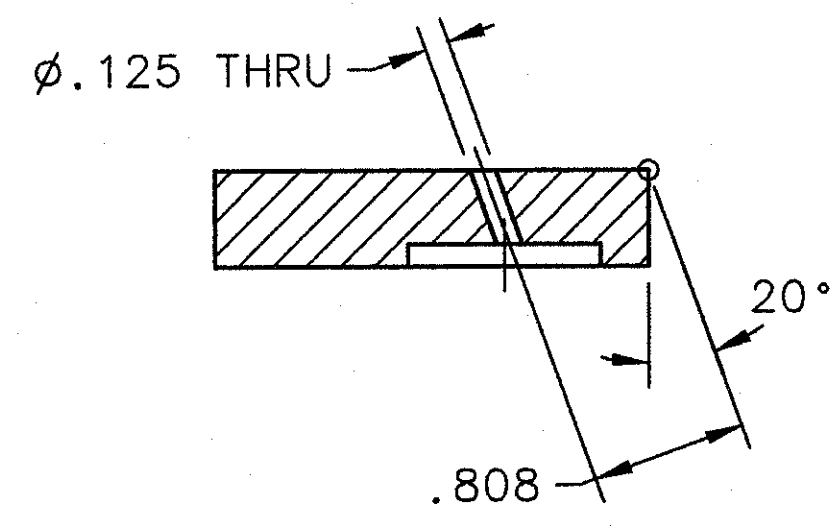
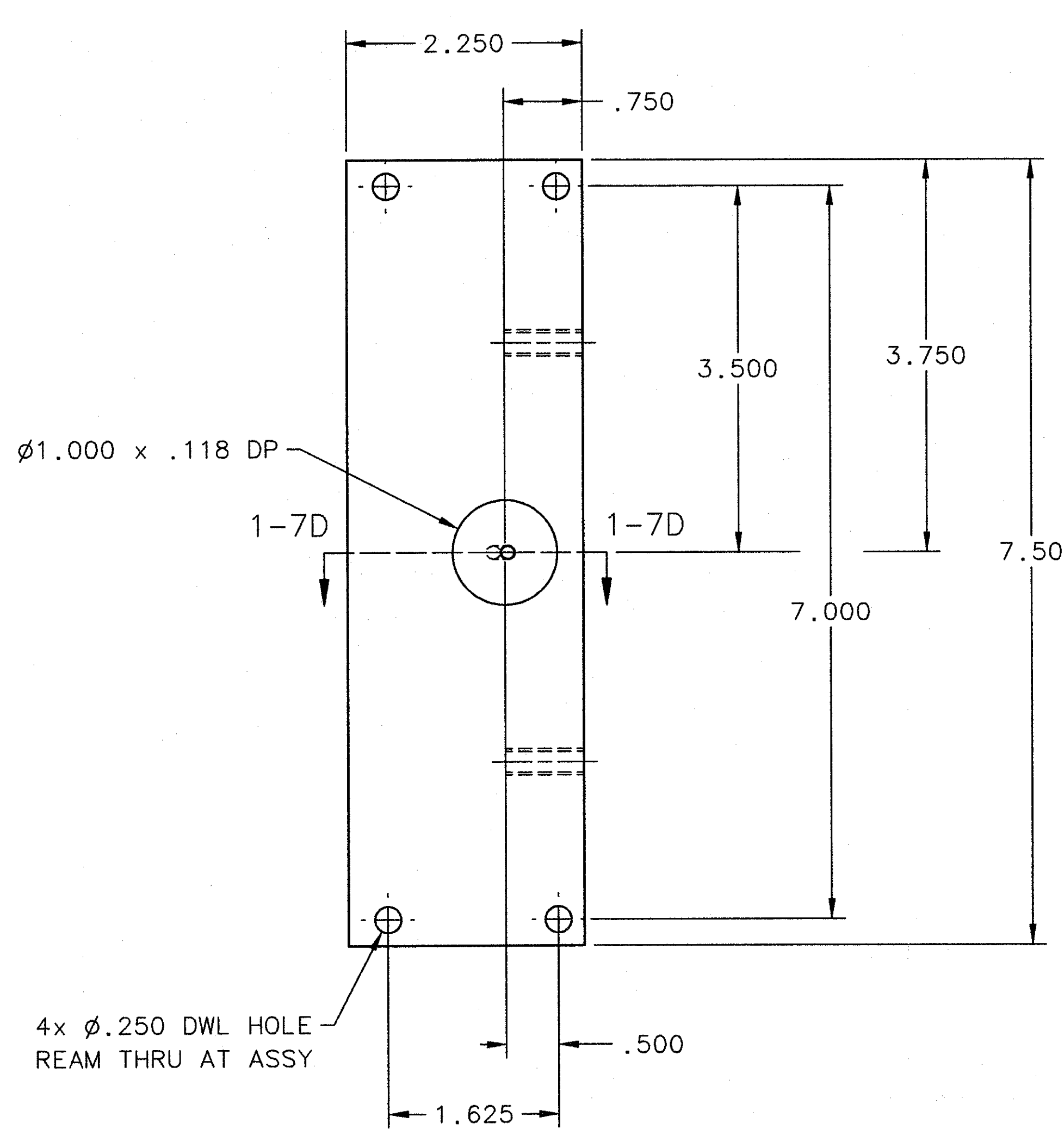


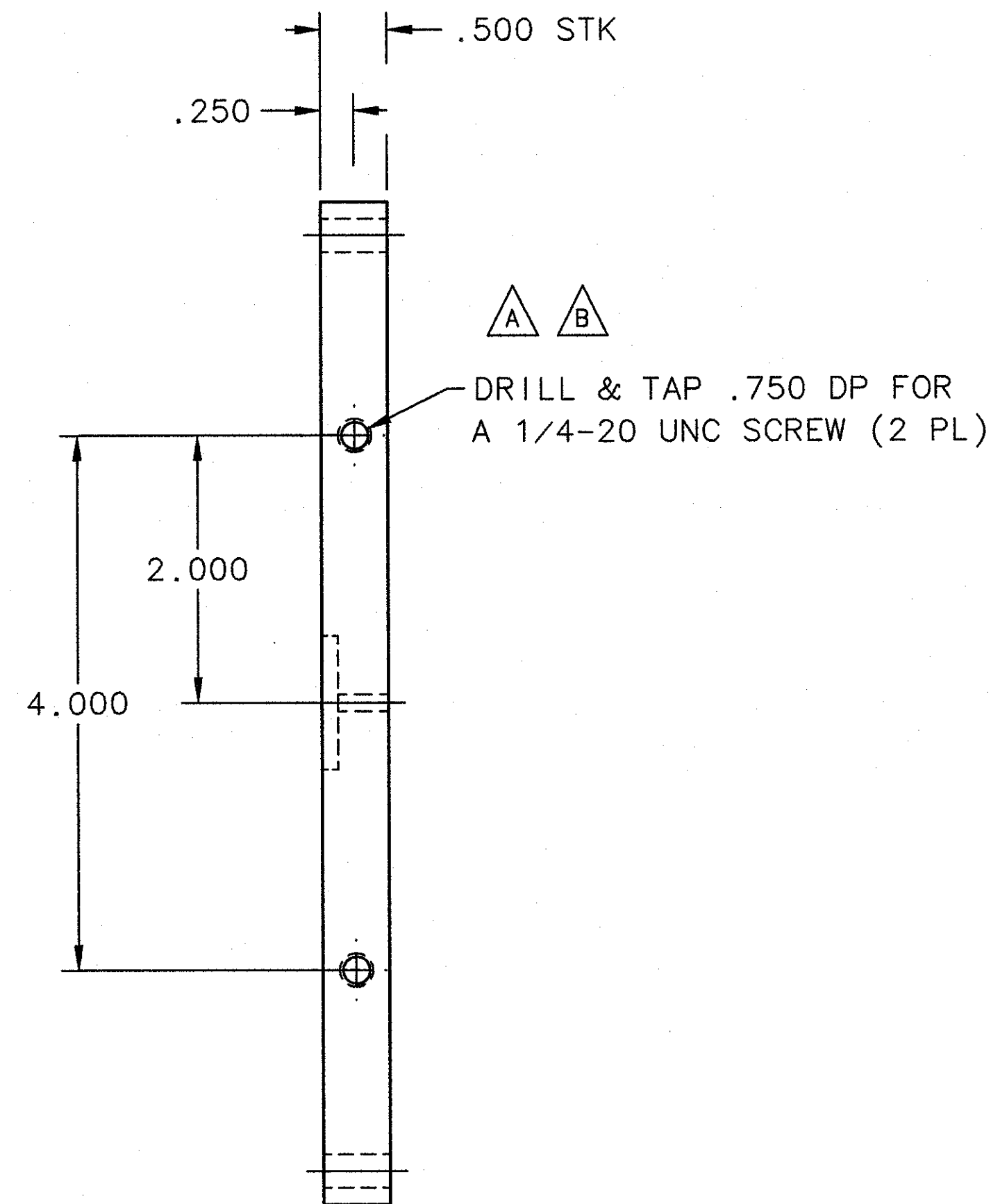
8 7 6 5 4 3 2 1



SECTION VIEW 1-7D
(1-7B)



FRONT VIEW 1-7B



R SIDE VIEW 1-5B

REVISION HISTORY				
ZONE	REV	DESCRIPTION	DATE	APPROVED
1-4C	A	ADDED #10-24 UNC HELICOIL (2 PL) ADDED NOTE 1.	17 AUG 07	SME
			21 AUG 07	ARG
ALL	B	PART NAME WAS CHANGED FROM Z END COVER SM TO CS85 END COVER SM. MATERIAL CHNG FROM ALUMINA-SILICA Z-500 TO CS85 STRUCTURAL INSULATION.	28 NOV 07	SME
			07DEC07	arg
1-4C		DRILL & TAP FOR A 1/4-20 UNC SCREW (2 PL) WAS FOR A #10-24 UNC SCREW (2 PL) REMOVED NOTE 1. HELICOIL - NITRONIC 60 INSERT. HELICOILS ARE NO LONGER REQUIRED		

DOCUMENT CONTROL STAMP DOC	DIM & TOL PER ASME Y14.5 - UNLESS OTHERWISE SPECIFIED DIMENSIONS ARE IN INCHES TOLERANCES ARE: FRACTIONS DECIMAL ANGLES ± N/A .X ± .1 ± .50° .XX ± .01 .XXX ± .005	TRACKING NO. N/A	United States Department of Energy	Jefferson Lab Thomas Jefferson National Accelerator Facility	Newport News Virginia
		APPROVALS	DATE	HALL A -TRANSVERSITY- EXP E06-010 TARGET SYSTEM OVEN ASSEMBLY CS85 END COVER SM	
MATERIAL CS85 STRUCTURAL INSULATION	THIRD ANGLE PROJECTION	DRAWN S. ESP	08 AUG 07	SIZE DWG. NO. D A06010-03-04-1209	REV. B
FINISH MACHINED SURFACES DEBURR & BREAK ALL SHARP EDGES UNLESS OTHERWISE NOTED		CHECKED ALAN R. GAVALYA	14 AUG 07	SCALE 1:1	USED ON ASSY NO. A06010-03-04-1200 SHEET 1 OF 1
DO NOT SCALE DRAWING		APPROVED JIAN-PING CHEN	14 AUG 07		
		APPROVED PAUL BRINDZA	15 AUG 07		

8 7 6 5 4 3 2 1