

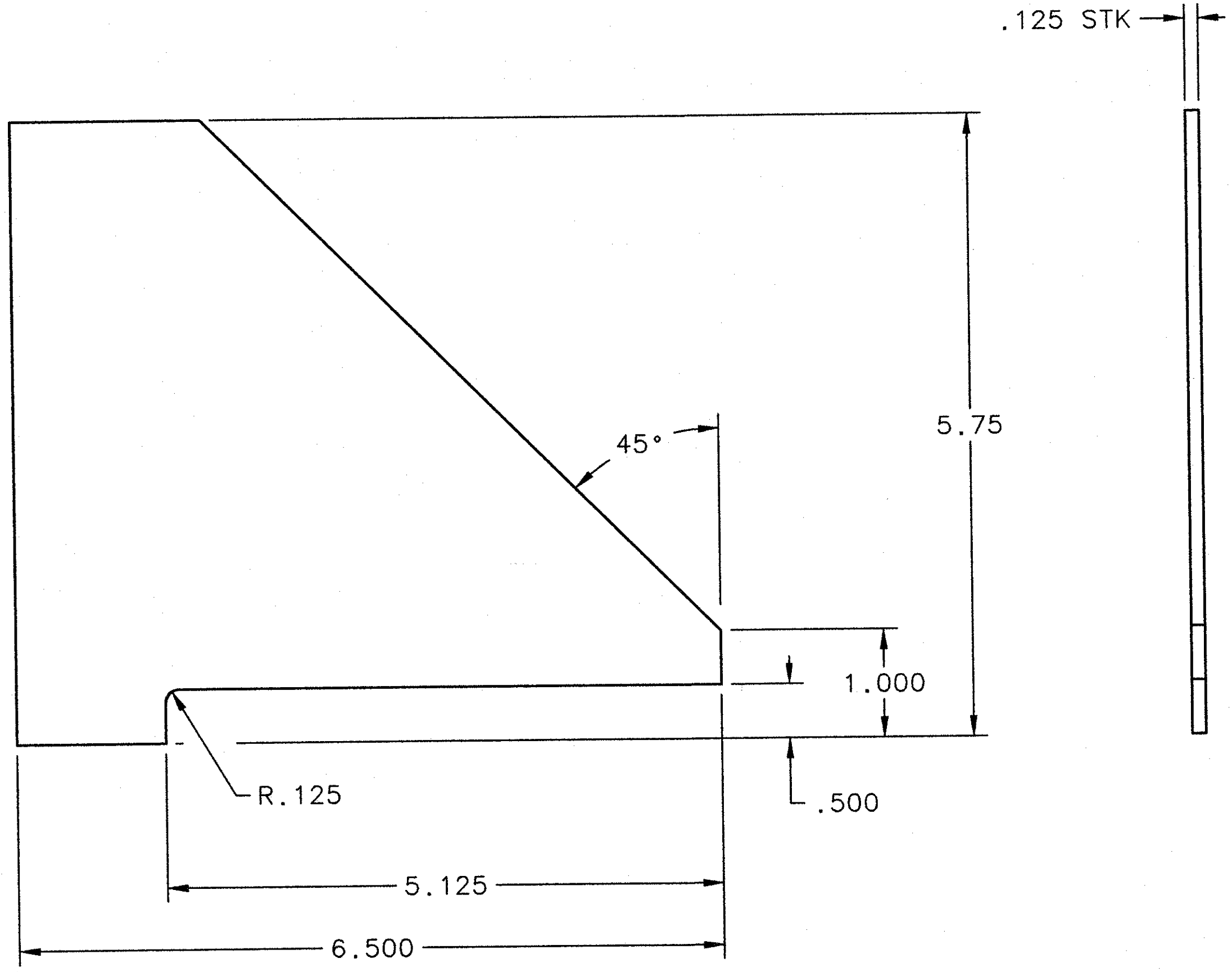
4

3

2

1

REVISION HISTORY				
ZONE	REV	DESCRIPTION	DATE	APPROVED
ALL	A	PART NAME WAS CHANGED FROM Z BAFFLE PLATE TO CS85 BAFFLE PLATE. MATERIAL CHNG FROM ALUMINA-SILICA Z-500 TO CS85 STRUCTURAL INSULATION.	28 NOV 07	SME
			07 DEC 07	ARJ



FRONT VIEW 1-4B

R SIDE VIEW 1-2B

DOCUMENT CONTROL STAMP 	DIM & TOL PER ASME Y14.5 - UNLESS OTHERWISE SPECIFIED DIMENSIONS ARE IN INCHES TOLERANCES ARE: FRACTIONS DECIMAL ANGLES ± N/A .X ± .1 ± .50° .XX ± .01 .XXX ± .005	TRACKING NO. A06010-03-04		 Thomas Jefferson National Accelerator Facility NEWPORT NEWS, VIRGINIA UNITED STATES DEPARTMENT OF ENERGY	
		MATERIAL CS85 STRUCTURAL INSULATION	FINISH MACHINED SURFACES 125 UNLESS OTHERWISE NOTED DEBURR & BREAK ALL SHARP EDGES	THIRD ANGLE PROJECTION 	APPROVALS DRAWN S. ESP CHECKED ALAN R. CAVALYA APPROVED JIAN-PING CHEN APPROVED PAUL BRINDZA
DO NOT SCALE DRAWING		SCALE 1:1		DWG. NO. A06010-03-04-1210	REV. A SHEET 1 OF 1

4

3

2

1