

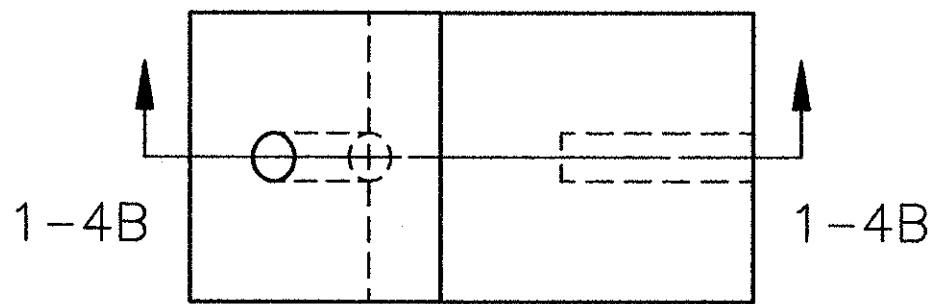
4

3

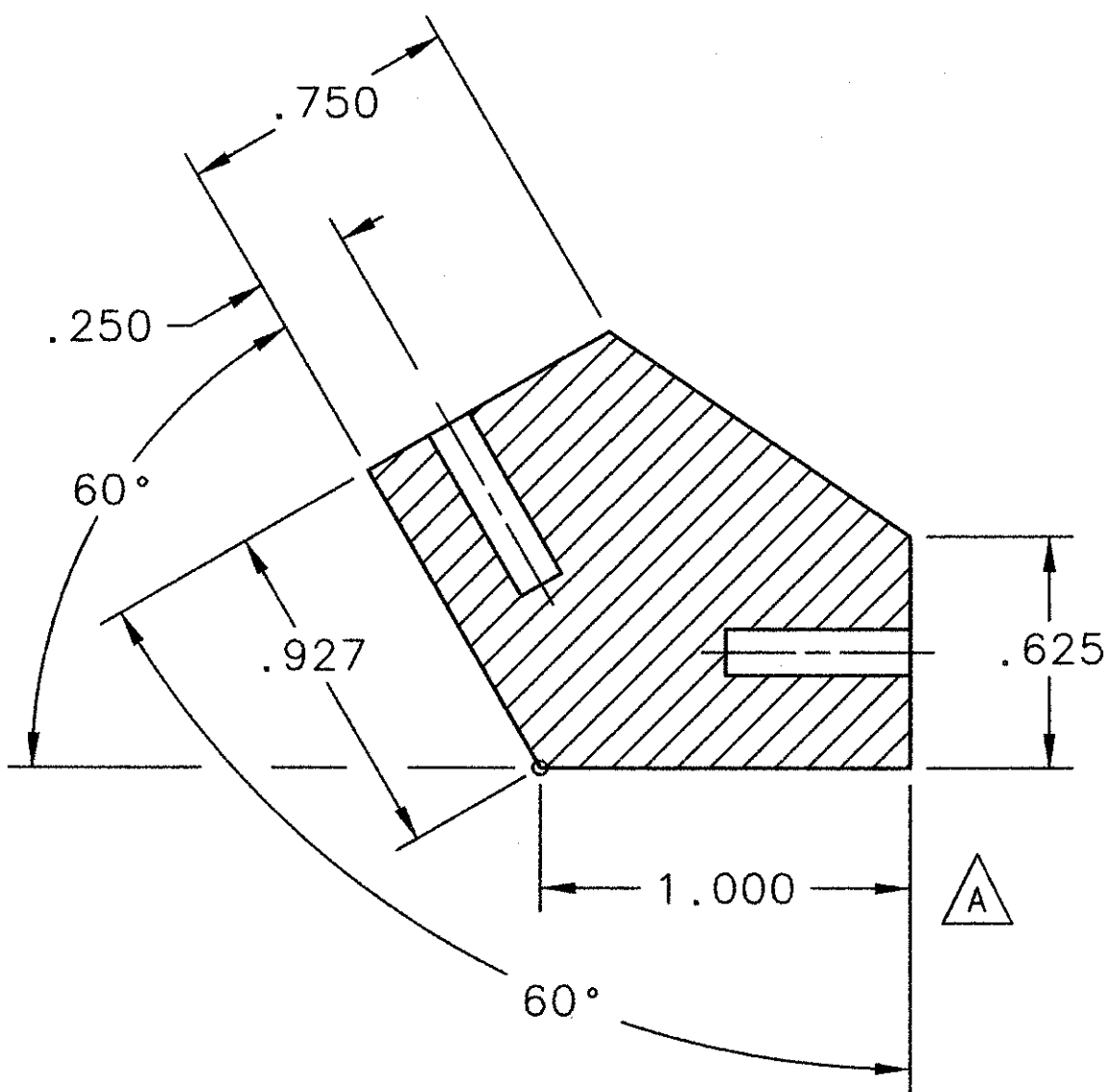
2

1

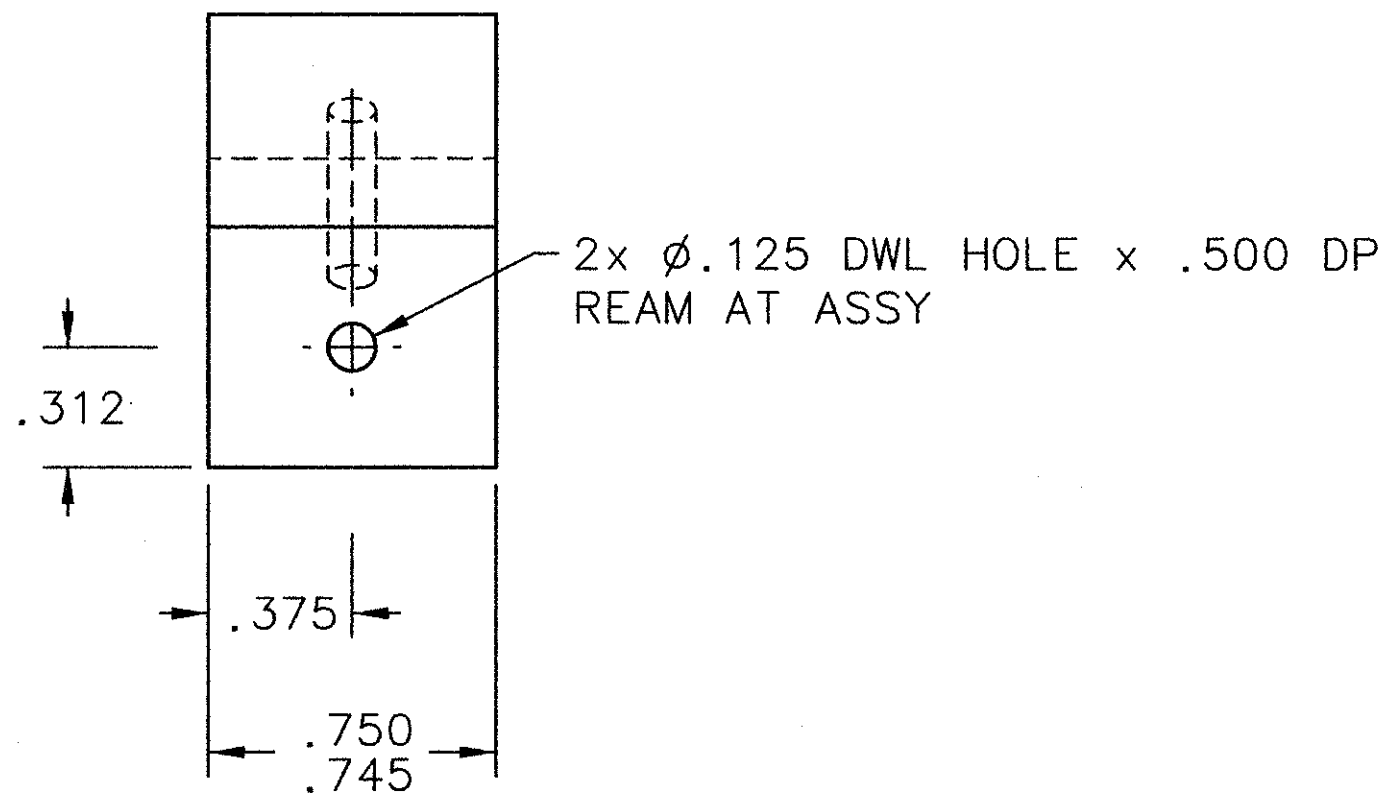
REVISION HISTORY				
ZONE	REV	DESCRIPTION	DATE	APPROVED
ALL	A	PART NAME WAS CHANGED FROM Z BLOCK SA MOUNT TO CS85 BLOCK SA MOUNT. MATERIAL CHNG FROM ALUMINA-SILICA Z-500 TO CS85 STRUCTURAL INSULATION.	28 NOV 07	SME
			07 OCT 07	ARG
1-3B	B	ADDED MISSING DIMENSION 1.000 IN	31 OCT 08	SME
			02 DEC 09	CPX



TOP VIEW 1-4D



SECTION VIEW 1-4B
(1-4D)



END VIEW 1-3B

DOCUMENT CONTROL STAMP DCG	DIM & TOL PER ASME Y14.5 . UNLESS OTHERWISE SPECIFIED DIMENSIONS ARE IN INCHES TOLERANCES ARE: FRACTIONS DECIMAL ANGLES ± N/A .X ± .1 ± .50° .XX ± .01 .XXX ± .005	TRACKING NO. A06010-03-04		United States Department of Energy Jefferson Lab <small>Thomas Jefferson National Accelerator Facility</small> Newport News Virginia
		APPROVALS	DATE	
MATERIAL CS85 STRUCTURAL INSULATION	THIRD ANGLE PROJECTION 	DRAWN S. ESP	08 AUG 07	SIZE DWG. NO. C A06010-03-04-1211
FINISH MACHINED SURFACES DEBURR & BREAK ALL SHARP EDGES	UNLESS OTHERWISE NOTED	CHECKED ALAN R. GAVALYA	14 AUG 07	
DO NOT SCALE DRAWING		APPROVED JIAN-PING CHEN	14 AUG 07	SCALE 2:1 USED ON ASSY NO. A06010-03-04-1200 SHEET 1 OF 1
		APPROVED PAUL BRINDZA	15 AUG 07	

4

3

2

1