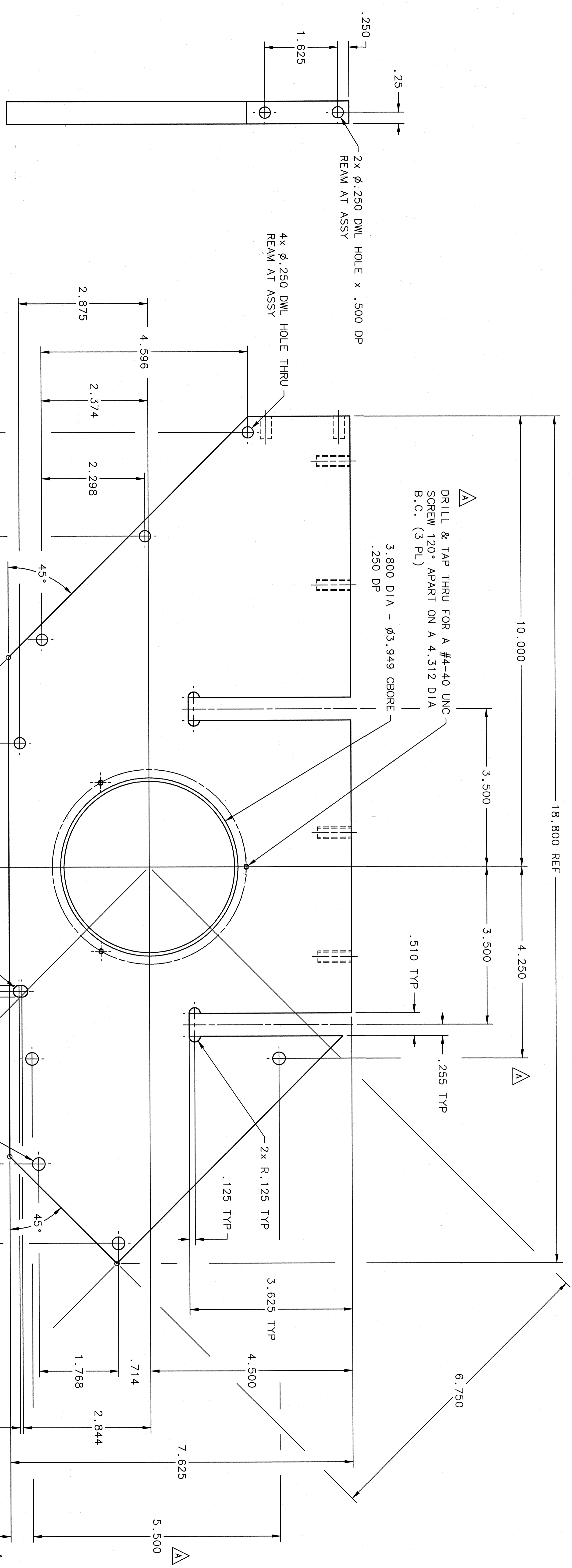
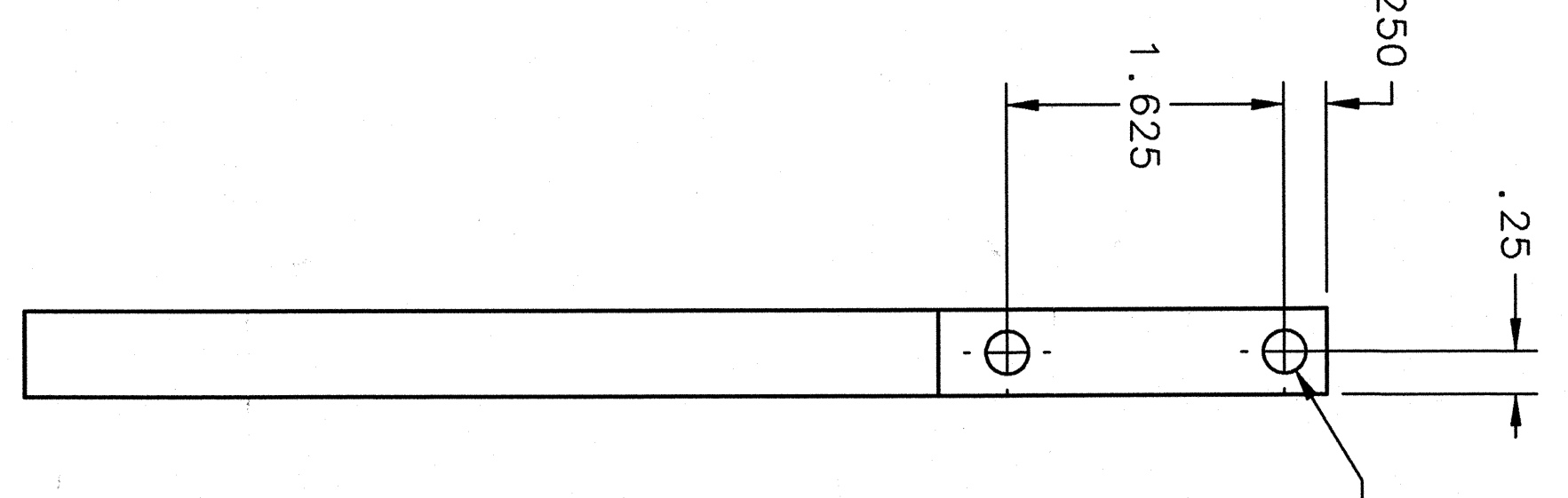


TOP VIEW 1-5G



FRONT VIEW 1-5B

L SIDE VIEW 1-8B



ZONE	REV	DESCRIPTION	DATE	APPROVED
ALL	A	PART NAME WAS CHANGED FROM Z TRANSVERSE WALL DS TO CS85 TRANSVERSE WALL DS. MATERIAL CHG FROM ALUMINA-SILICA Z-500 TO CS85 STRUCTURAL INSULATION. DRILL & TAP FOR A 1/4-20 UNC SCREW (4 PL) WAS FOR A #0-24 UNC SCREW (4 PL) REMOVED NOTE 1. HELICOIL - NITRONIC 60 INSERT. HELICOILS ARE NO LONGER REQUIRED ADDED TWO .281 DIA CLEARANCE HOLES AND THREE LOCAL DIMENSIONS.	28 NOV 07	[Signature]
	1-4H			
	1-5F			
	1-4F			
	1-2E			

DOCUMENT NUMBER: 1000000000 PART NUMBER: 1000000000 DRAWING NUMBER: 1000000000		EACH SHEET OF MULTI-SHEET DRAWINGS SHALL ALWAYS HAVE THE SAME REVISION LEVEL.	
MATERIAL: CS85 FINISH: TO ORDER STRUTURAL INSULATION UNLESS NOTED OTHERWISE REFER TO BREAK ALL SHARP EDGES DO NOT SCALE DRAWING		DIMENSIONS ARE IN INCHES DECIMALS: .005 FRACTIONS: 1/16 ANGLES: .005 THIRD ANGLE PROJECTION	
APPROVALS DESIGNED: [Signature] CHECKED: ALM R. GAVIA APPROVED: [Signature] DATE: 31 MAR 07	DRAWN: [Signature] DATE: 17 MAR 07	TITLE: HALL A - TRANSVERSE - EXP E06-010 TARGET SYSTEM OVEN ASSEMBLY CS85 TRANSVERSE WALL DS	SHEET NO.: A06010-03-04-1212 SCALE: 1:1 SHEET 1 OF 1