

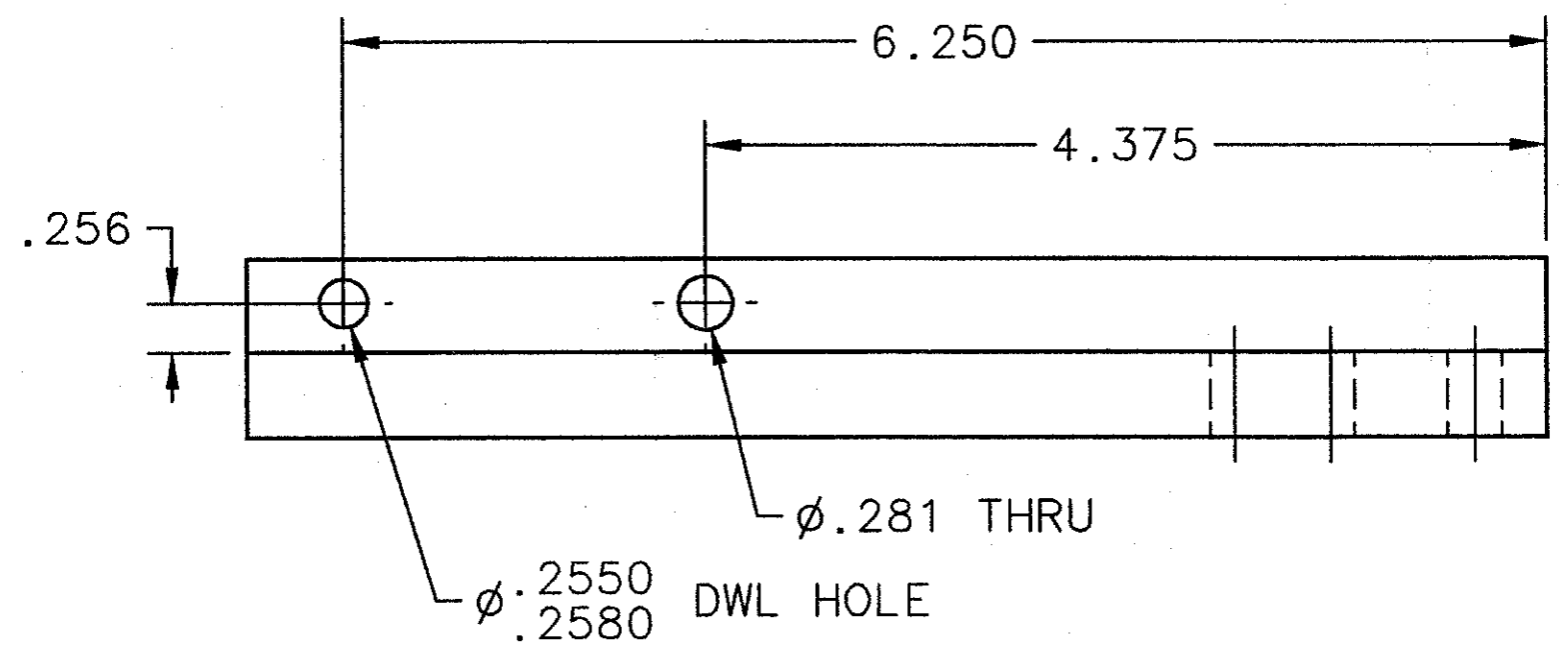
4

3

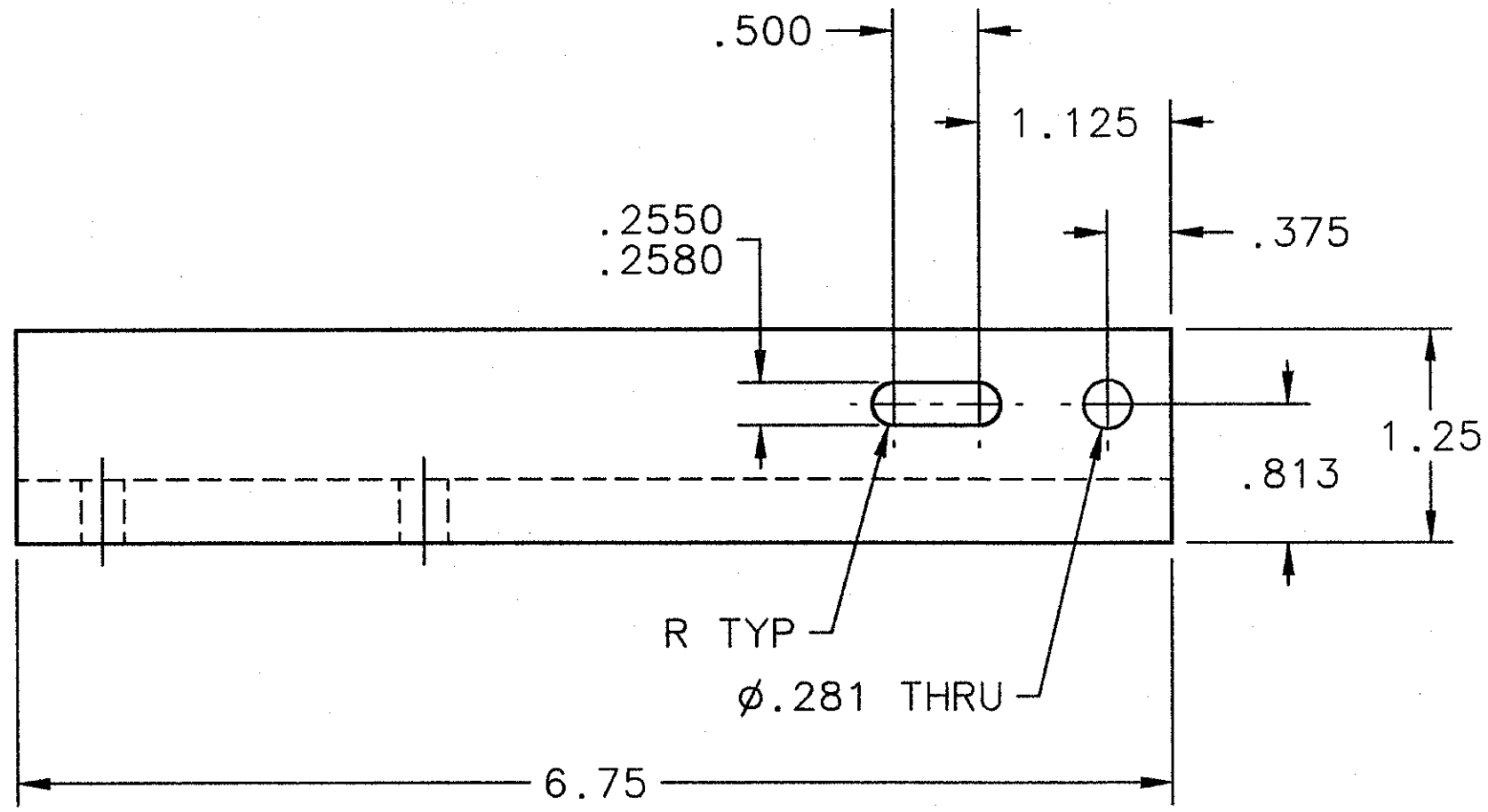
2

1

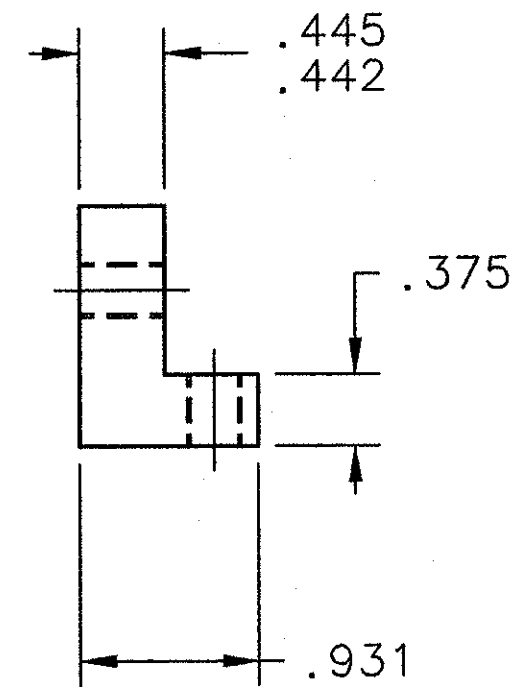
REVISION HISTORY				
ZONE	REV	DESCRIPTION	DATE	APPROVED



TOP VIEW 1-3D



FRONT VIEW 1-3B



R SIDE VIEW 1-2B

DOCUMENT CONTROL STAMP DCG	DIM & TOL PER ASME Y14.5 UNLESS OTHERWISE SPECIFIED DIMENSIONS ARE IN INCHES TOLERANCES ARE: FRACTIONS DECIMAL ANGLES ± N/A .X ± .1 ± .50° .XX ± .01 .XXX ± .005	TRACKING NO. N/A		United States Department of Energy Jefferson Lab <small>Thomas Jefferson National Accelerator Facility</small> Newport News Virginia
		APPROVALS	DATE	
MATERIAL CS85 STRUCTURAL INSULATION	THIRD ANGLE PROJECTION	DRAWN S. ESP	25 JUN 08	SIZE DWG. NO. C A06010-03-04-1215
FINISH MACHINED SURFACES 125 UNLESS OTHERWISE NOTED DEBURR & BREAK ALL SHARP EDGES		CHECKED <i>[Signature]</i>	26 JUN 08	
DO NOT SCALE DRAWING		APPROVED <i>[Signature]</i>	1 Jul 08	SCALE 1:1 USED ON ASSY NO. A06010-03-04-1200 SHEET 1 OF 1

4

3

2

1