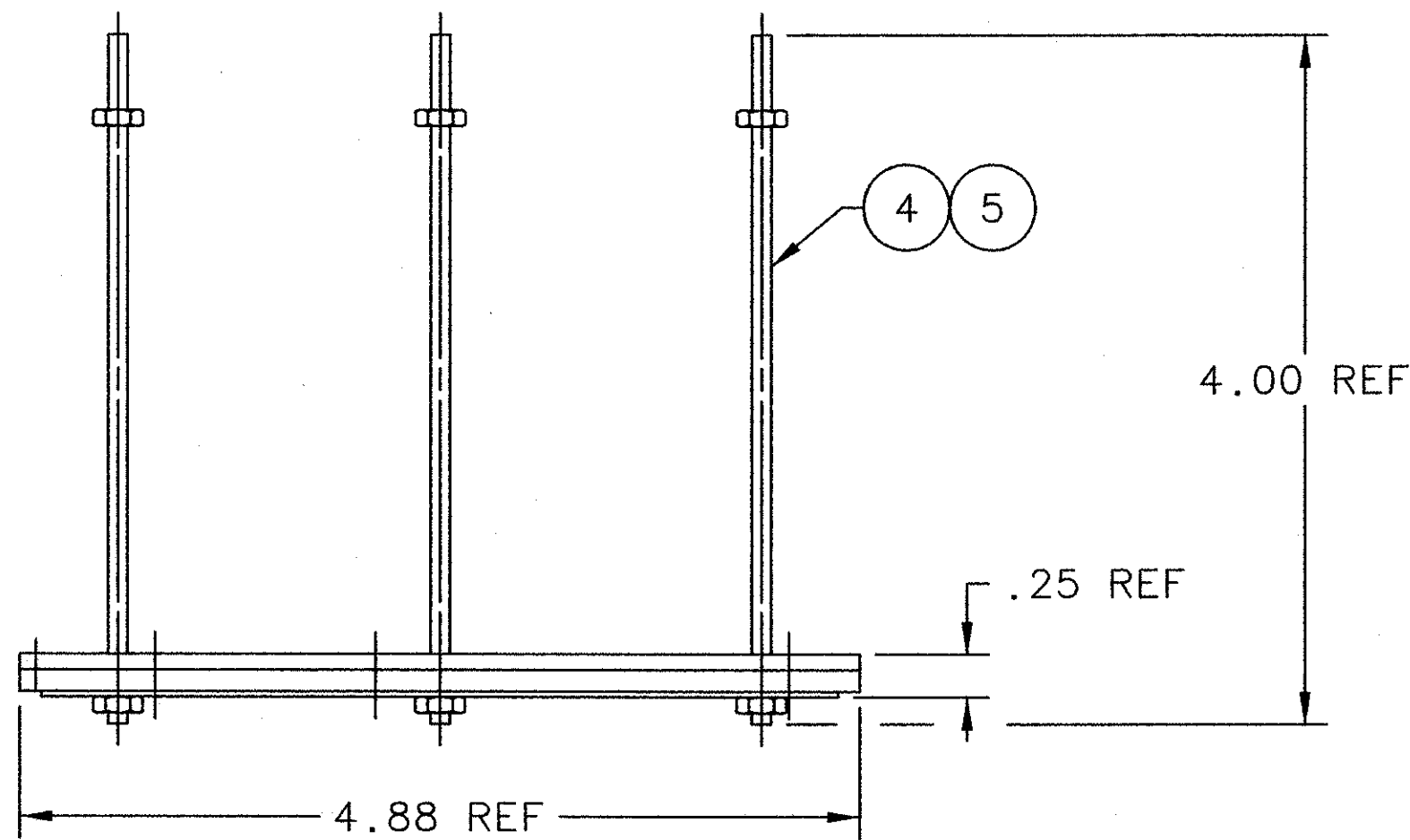
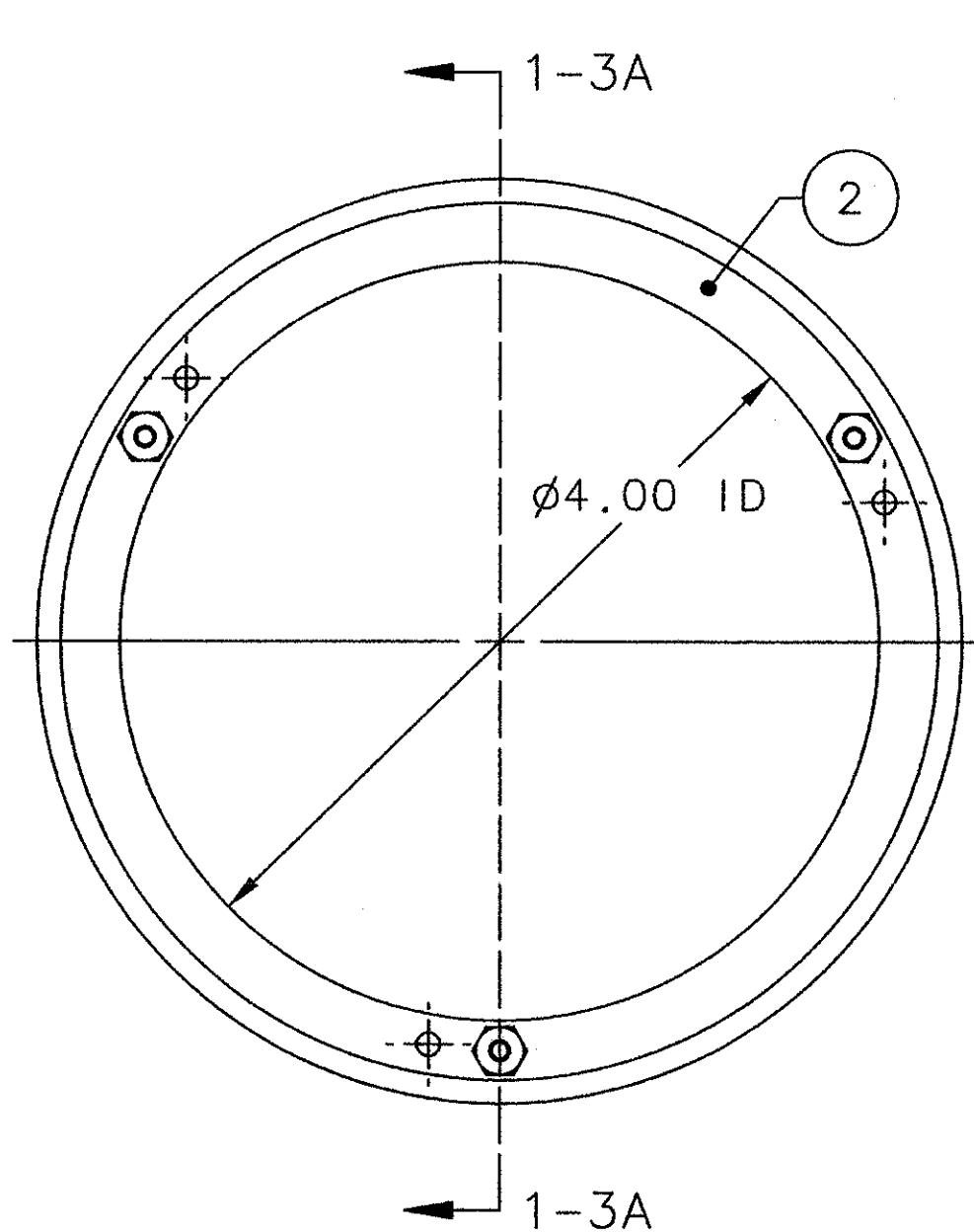


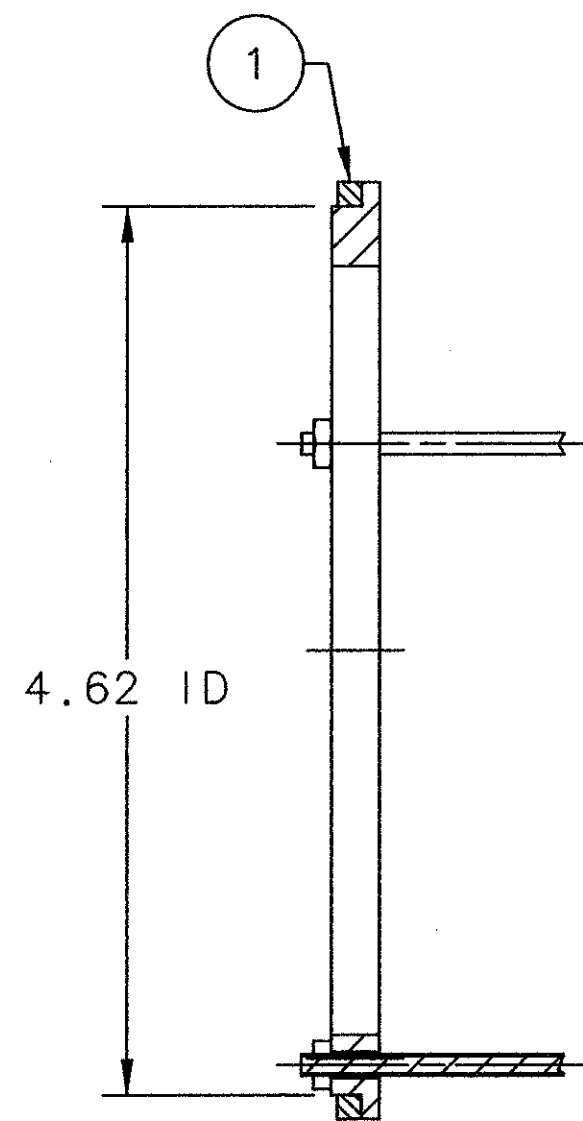
REVISION HISTORY				
ZONE	REV	DESCRIPTION	DATE	APPROVED



FRONT VIEW 1-4C



BOTTOM VIEW 1-4A



SECTION VIEW 1-3A
(1-4A)

NOTES:

- ITEM 1 WILL BE PROVIDED BY JLAB.

QTY REQD	ITEM NO.	PART OR IDENTIFYING NO.	NOMENCLATURE OR DESCRIPTION	MATERIAL SPECIFICATION	NOTES
6	5	SMALL PARTS INC. HNA-0440-25	HEX NUT #4-40 UNC RGLR	ALUMINUM	-
3	4	McMASTER-CARR 94435A315	FULLY THREADED ALUMINUM ROD #4-40 UNC x 4.0" LG	ALUMINUM	-
-	3	-	-	-	-
1	2	A06010-03-04-0701	MOUNT PU COIL PUMPING	HIGH TEMP GLASS-MICA	-
1	1	A06010-03-04-2001	EPR COIL - 4.625 ID x 4.875 OD x 1/8 THK	-	1

PARTS LIST

DOCUMENT CONTROL STAMP 	DIM & TOL PER ASME Y14.5 - UNLESS OTHERWISE SPECIFIED DIMENSIONS ARE IN INCHES TOLERANCES ARE: FRACTIONS DECIMAL ANGLES ± N/A .X ± .1 ± .50° .XX ± .01 .XXX ± .005	TRACKING NO. N/A	United States Department of Energy Newport News Virginia
	MATERIAL AS NOTED	THIRD ANGLE PROJECTION 	APPROVALS DATE DRAWN S. ESP 31 OCT 08 CHECKED <i>[Signature]</i> 02/06/08 APPROVED <i>[Signature]</i> 02/06/08 APPROVED <i>[Signature]</i> 12/3/08
FINISH MACHINED SURFACES 125 UNLESS OTHERWISE NOTED DEBURR & BREAK ALL SHARP EDGES	DO NOT SCALE DRAWING	SIZE DWG. NO. C A06010-03-04-2000	REV. - SCALE 1:1 USED ON ASSY NO. A06010-03-04-1200 SHEET 1 OF 1