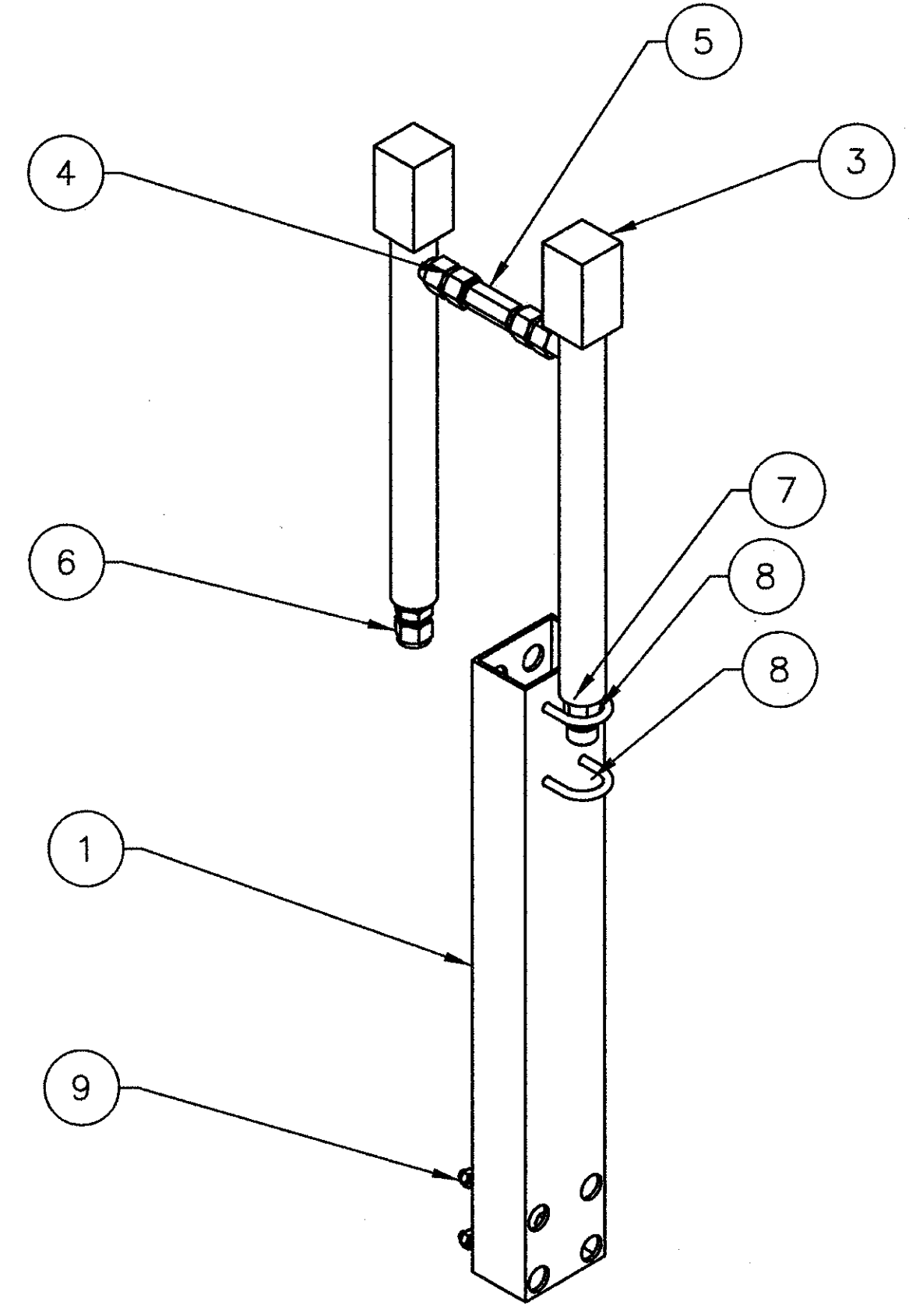
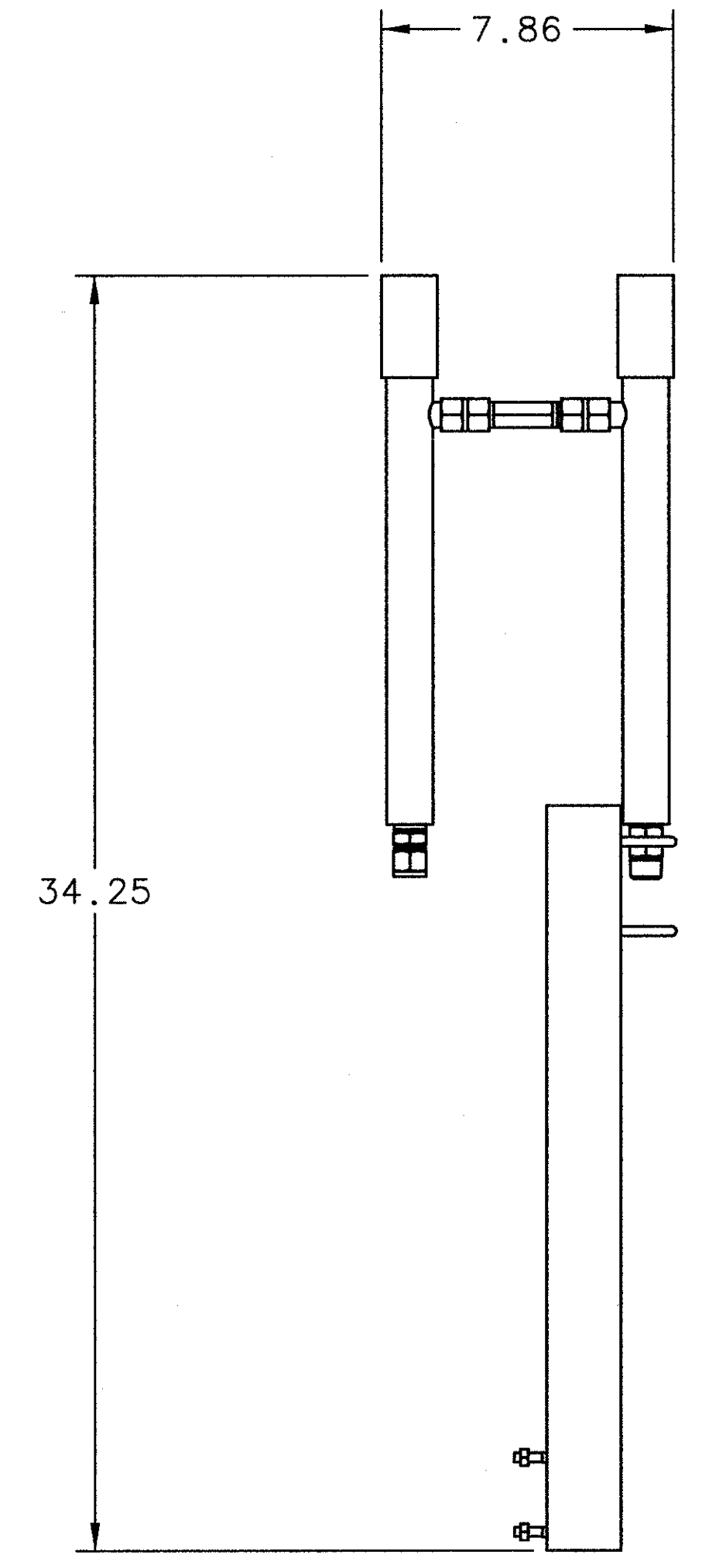


REVISION HISTORY				
ZONE	REV	DESCRIPTION	DATE	APPROVED



ISO VIEW 1-4C



FRONT VIEW 1-7A

QTY REQD	ITEM NO.	PART OR IDENTIFYING NO.	NOMENCLATURE OR DESCRIPTION	MATERIAL SPECIFICATION	NOTES
1	9	McMASTER CARR 93306A542	SCREW HEX HD 1/4-20 X 1.0 IN LG	ALUMINUM	-
2	8	McMASTER CARR 3035-T13	U-BOLT 1/4-20 FOR 1.25 IN OD	ALUMINUM	-
1	7	SWAGELOK SS-8-HLN-2.00	NIPPLE, 1/2 MNPT X 2.00 IN LG	STAINLESS STEEL	-
1	6	SWAGELOK SS-810-1-8	MALE CONN 1/2 TUBE TO 1/2 MNPT	STAINLESS STEEL	-
1	5	SWAGELOK SS-6-HLN-3.00	NIPPLE, 3/8 MNPT X 3.00 IN LG	STAINLESS STEEL	-
2	4	SWAGELOK SS-6-HCG	CPLG 3/8 FNPT	STAINLESS STEEL	-
2	3	HOTWATT INC. PFO-12/1200W/120V	HEATER	COMPOSITE	-
-	2	-	-	-	-
1	1	A06010-03-04-1901	BRACKET FOR HEATER	ALUMINUM	-

DOCUMENT CONTROL STAMP 	DIM & TOL PER ASME Y14.5 UNLESS OTHERWISE SPECIFIED DIMENSIONS ARE IN INCHES TOLERANCES ARE: FRACTIONS DECIMAL ANGLES ± N/A .X ± .1 ± .50° .XX ± .01 .XXX ± .005		TRACKING NO. N/A		United States Department of Energy Jefferson Lab Thomas Jefferson National Accelerator Facility Newport News Virginia
	MATERIAL SEE PARTS LIST	THIRD ANGLE PROJECTION 	APPROVALS DRAWN J. MILLER CHECKED APPROVED APPROVED	DATE 07OCT08 22OCT08 27OCT08	
FINISH MACHINED SURFACES N/A UNLESS OTHERWISE NOTED DEBURR & BREAK ALL SHARP EDGES DO NOT SCALE DRAWING	SIZE DWG. NO. D A06010-03-04-1900 SCALE 1:4 USED ON ASSY NO. A06010-03-04-0000 SHEET 1 OF 1		REV. -		REV. -