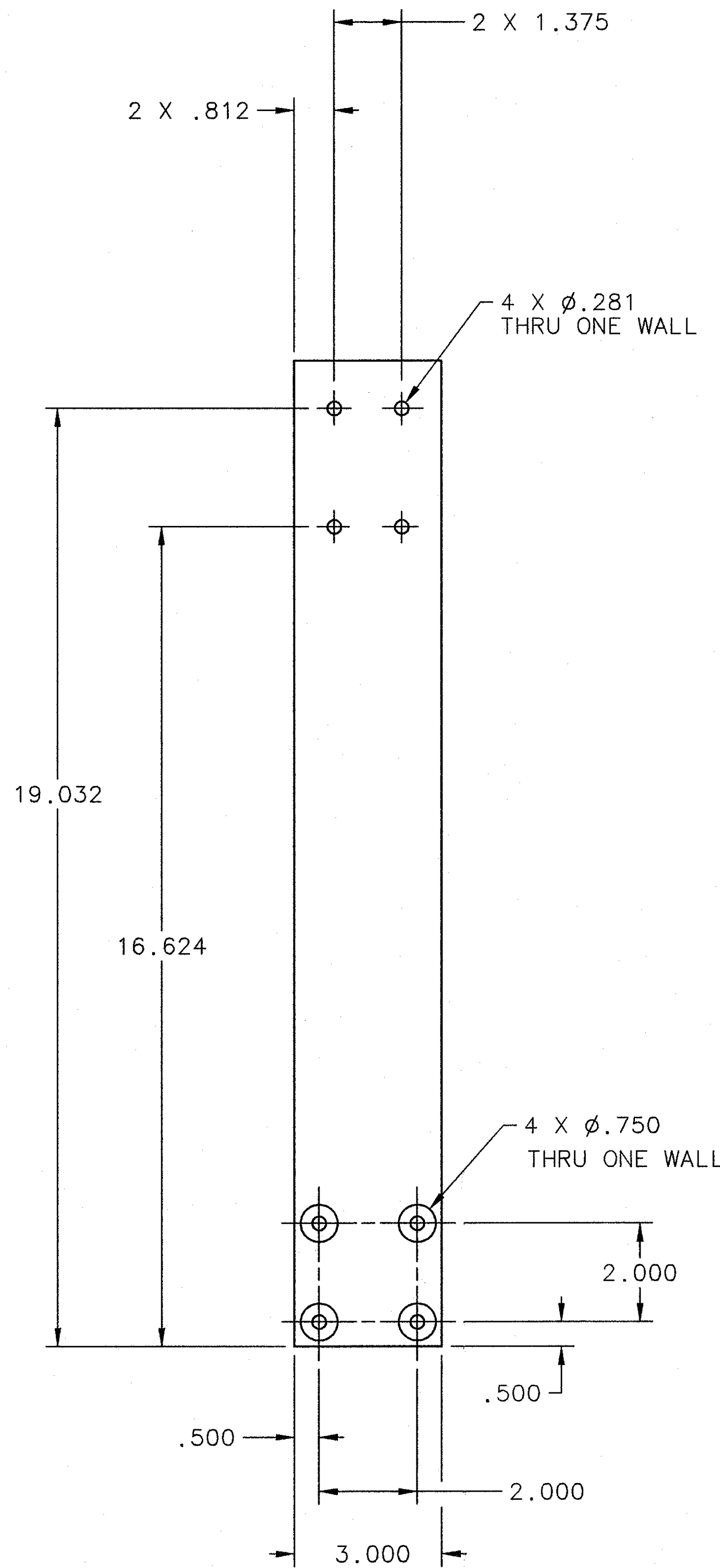
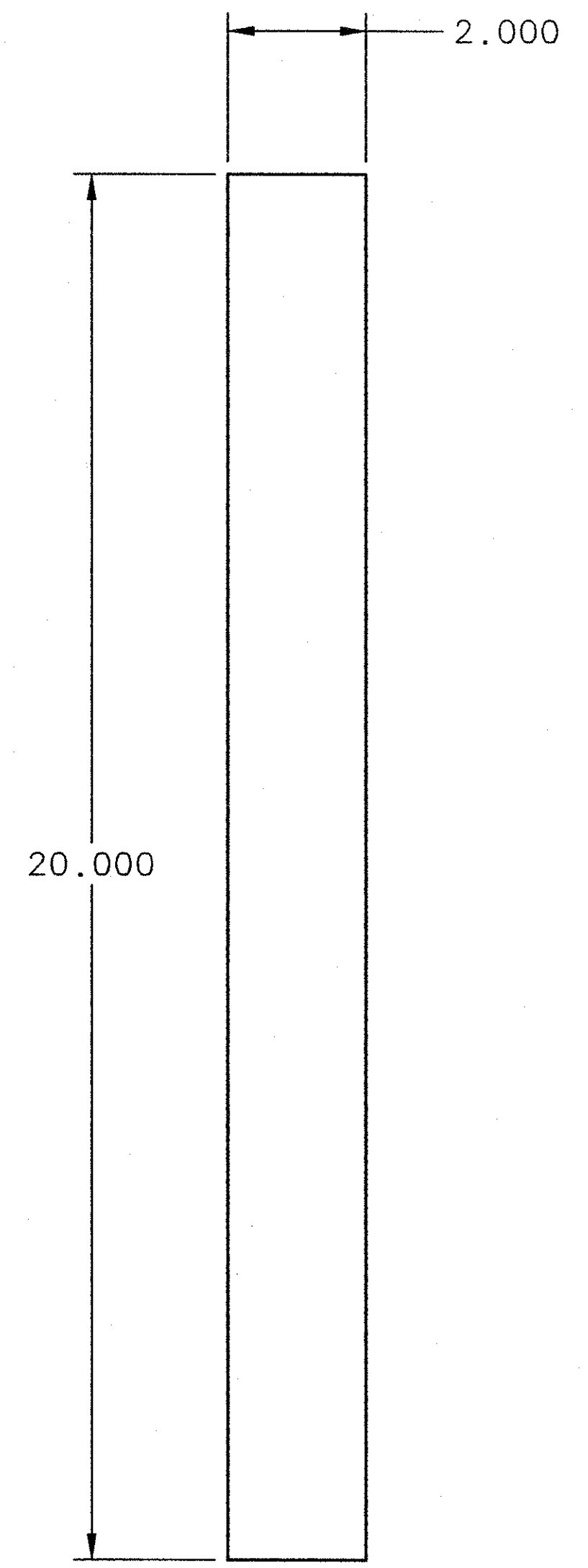


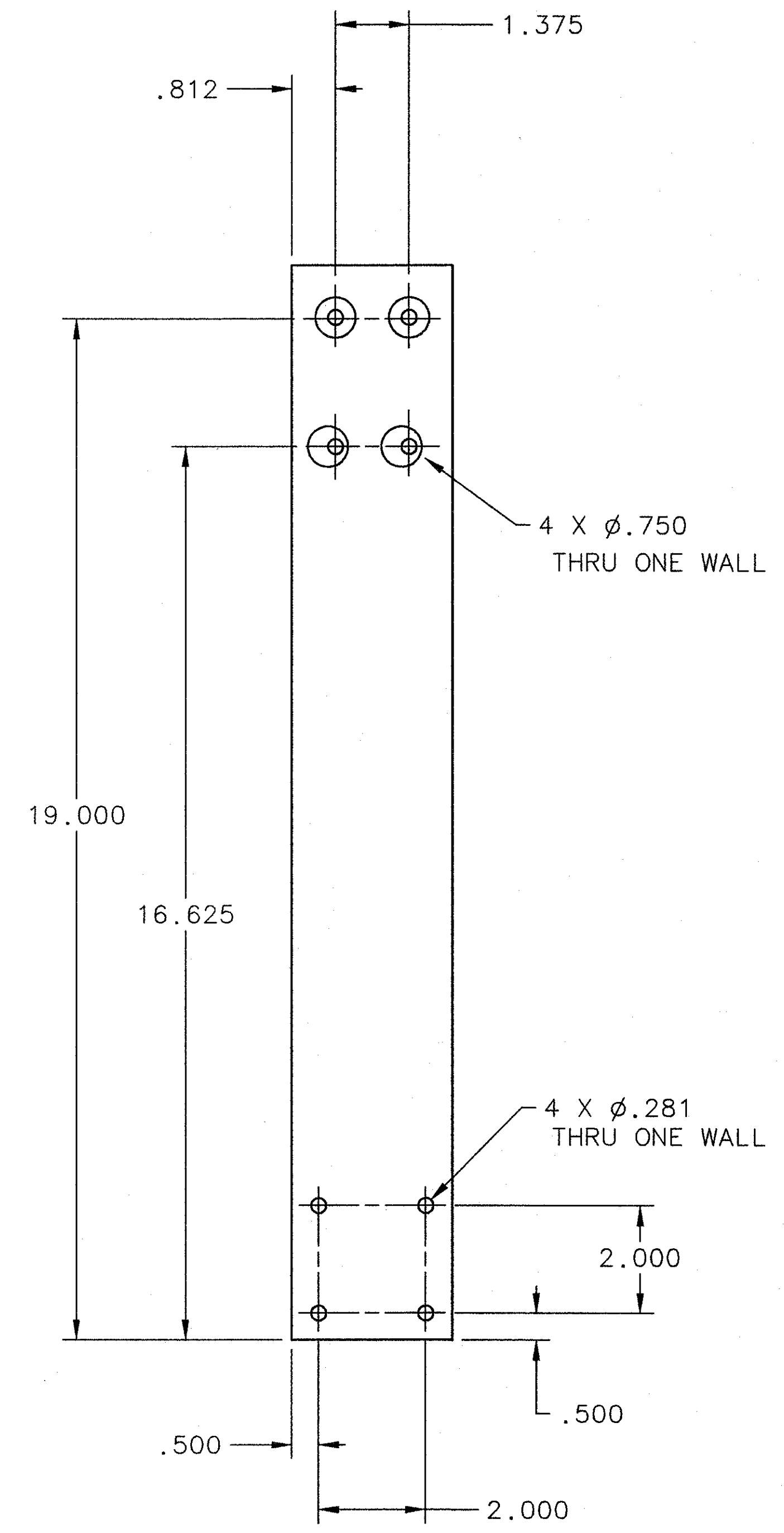
REVISION HISTORY				
ZONE	REV	DESCRIPTION	DATE	APPROVED



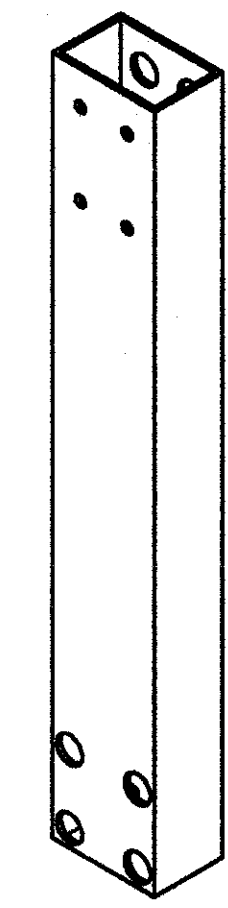
FRONT VIEW 1-7A



RT SIDE VIEW 1-5A



BACK VIEW 1-3A



ISO VIEW 1-2C

SCALE 1:4

DOCUMENT CONTROL STAMP 	DIM & TOL PER ASME Y14.5 UNLESS OTHERWISE SPECIFIED DIMENSIONS ARE IN INCHES TOLERANCES ARE: FRACTIONS DECIMAL ANGLES ± N/A .X ± .1 ± .50° .XX ± .01 .XXX ± .005	TRACKING NO.	United States Department of Energy	
		N/A	Jefferson National Accelerator Facility Newport News Virginia	
MATERIAL	THIRD ANGLE PROJECTION	APPROVALS	DATE	HALL A - TRANSVERSITY - E06010
ALUMINUM TUBING		J. MILLER	07OCT08	TARGET - TARGET SUBSYSTEM
1-1/2 X 3 X .125 WALL		CHECKED		HEATER ASSEMBLY
FINISH UNLESS MACHINED SURFACES 125 OTHERWISE NOTED DEBURR & BREAK ALL SHARP EDGES	DO NOT SCALE DRAWING	APPROVED	22oct08	BRACKET FOR HEATER
		APPROVED	27oct08	SIZE DWG. NO. A06010-03-04-1901
				REV. -
				SCALE 1:2 USED ON ASSY NO. A06010-03-04-1900 SHEET 1 OF 1