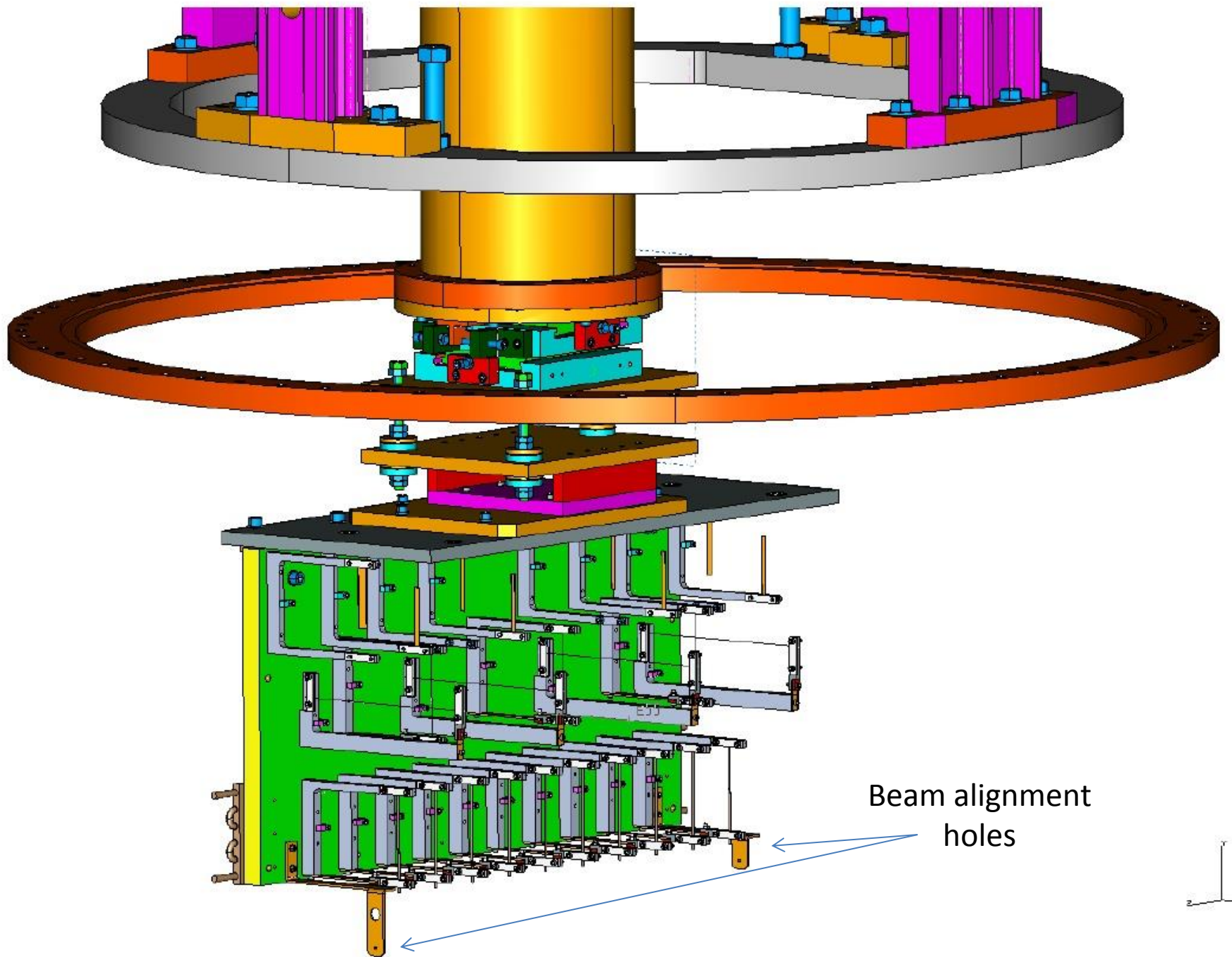


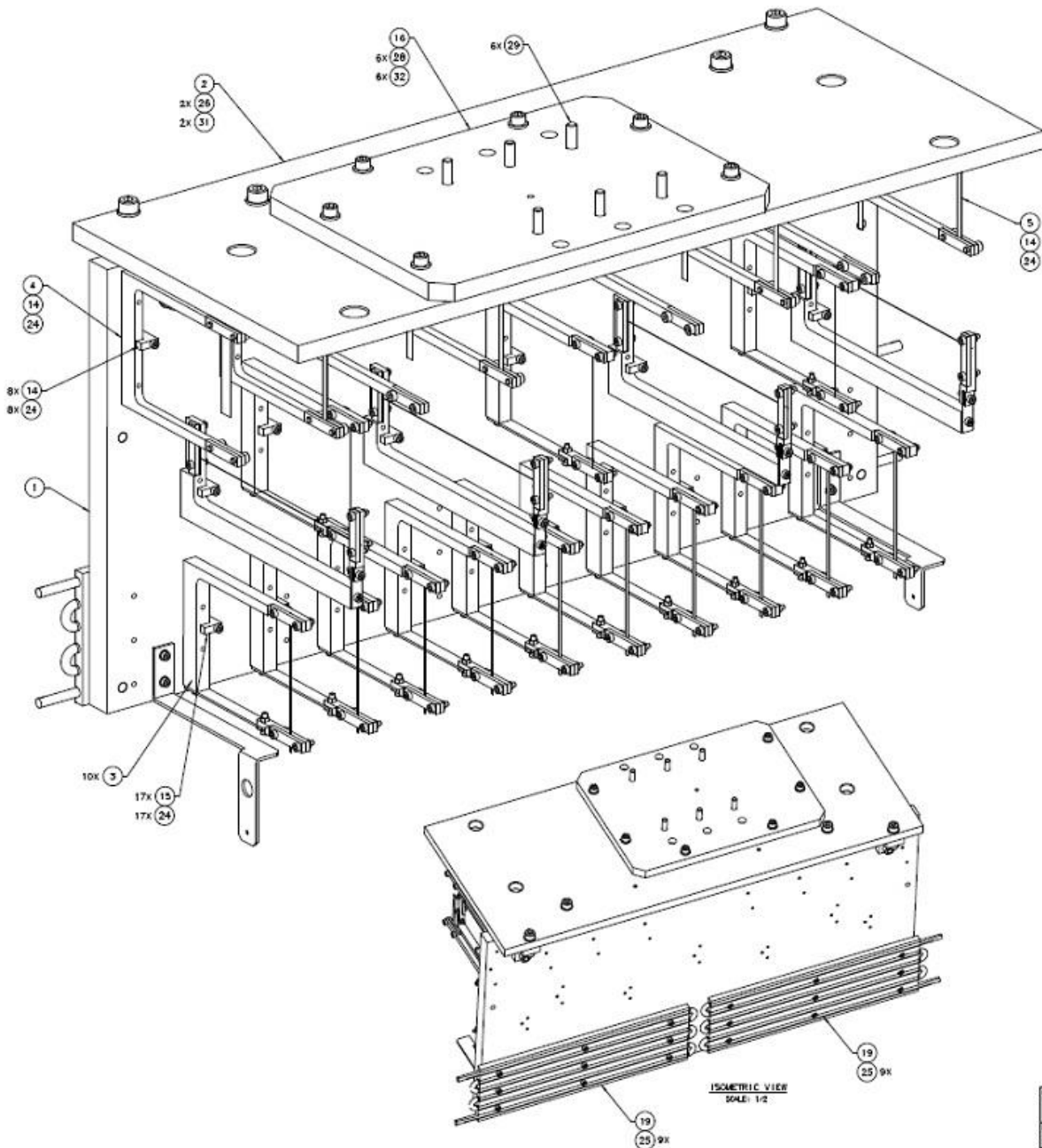
APEX Target Update

- Target mechanical designer, Slava, on sick leave for past two weeks due to a car accident, not yet known when he'll return to the lab (I'm looking into this)
- Before the accident Slava was working on detailing the target drawings
- We added beam alignment 2x2 mm² holes, upstream and downstream
- Adding temperature sensors
- Thermal analysis ongoing
- Still looking into which chamber to use for the target
- Still no student to do target work (might have a summer student from ODU to help with the target)



Beam alignment
holes





ISOMETRIC VIEW
SCALE: 1:2

NOTES:

1. DIMENSIONS IN [] ARE IN MILLIMETERS.
2. ALL DIMENSIONS ARE FOR REFERENCE, EXCEPT DIMENSION .157, - SEE SECTION A-A, AND DIMENSION .45, - SEE SECTION B-B.
3. APPROXIMATE WEIGHT 39.5 LBS.

QTY	PART NO.	DESCRIPTION	MATERIAL	REMARKS
2	34	GASKET	COPPER	
4	30	METRIC HEX NUT M8	STAINLESS STEEL	
4	32	FLAT WASHER FOR 1/4 SCREW	STAINLESS STEEL	
4	31	FLAT WASHER NUMBER FOR M8 SCREW	STAINLESS STEEL	
4	30	FLAT FLAT WASHER FOR M8 SCREW	STAINLESS STEEL	
4	29	SCRS 1/4-20 X 1.0 LG	STAINLESS STEEL	
4	28	SCRS 1/4-20 X .86 LG	STAINLESS STEEL	
2	27	METRIC SHCS M8 X 40 MM LG	STAINLESS STEEL	
4	26	METRIC SHCS M8 X 35 MM LG	STAINLESS STEEL	
18	25	METRIC SHCS M4 X 16 MM LG	STAINLESS STEEL	
25	24	METRIC SHCS M3 X 30 MM LG	STAINLESS STEEL	
4	23	METRIC SHCS M3 X 30 MM LG	STAINLESS STEEL	
2	22	WASHER-CARR P/N 31505A002	METRIC BOWL P/N 31505A002	STAINLESS STEEL
30	21	WASHER-CARR P/N 31505A002	METRIC BOWL P/N 31505A002	STAINLESS STEEL
1	20	A10009-03-02-0700	TUBING ASSY	
2	19	A10009-03-02-0600	GOLD PLATE ASSY	
1	18	A10009-03-02-0500	BACK TARGET 2 MM X 3 MM WINDOW	
1	17	A10009-03-02-0400	FRONT TARGET 2 MM X 3 MM WINDOW	
1	16	A10009-03-02-0300	ATTACHMENT PLATE	
17	15	A10009-03-02-0204-02	L-SHAPE CLAMP	
8	14	A10009-03-02-0104-01	L-SHAPE CLAMP	
1	13	A10009-03-02-0100-03	WIRE FRAME SHORT ASSY	
1	12	A10009-03-02-0100-02	WIRE FRAME SHORT ASSY	
1	11	A10009-03-02-0100-01	WIRE FRAME SHORT ASSY	
1	10	A10009-03-02-0100-04	WIRE FRAME LONG ASSY	
1	9	A10009-03-02-0100-03	WIRE FRAME LONG ASSY	
1	8	A10009-03-02-0100-02	WIRE FRAME LONG ASSY	
1	7	A10009-03-02-0100-01	WIRE FRAME LONG ASSY	
10	6	A10009-03-02-0300	FRAME 3.5 MM WIDEN STRIP ASSY	
7	5	A10009-03-02-0200	FRAME WIDEN STRIP ASSY	
1	4	A10009-03-02-0100	FRAME WIDEN STRIP ASSY	
1	3	A10009-03-02-0003	BRACKET	
1	2	A10009-03-02-0002	TOP PLATE	
1	1	A10009-03-02-0001	SIDE PLATE	

DO NOT SCALE DIMENSIONS FROM THIS DRAWING

DATE: 08/08/14

PROJECT: HALL A APEX E10009 TUNGSTEN TARGET EXTENDED TUNGSTEN TARGET ASSY

REV: 1

DATE: 08/08/14

BY: [Signature]

APP: [Signature]

SCALE: 1:2

1 OF 2