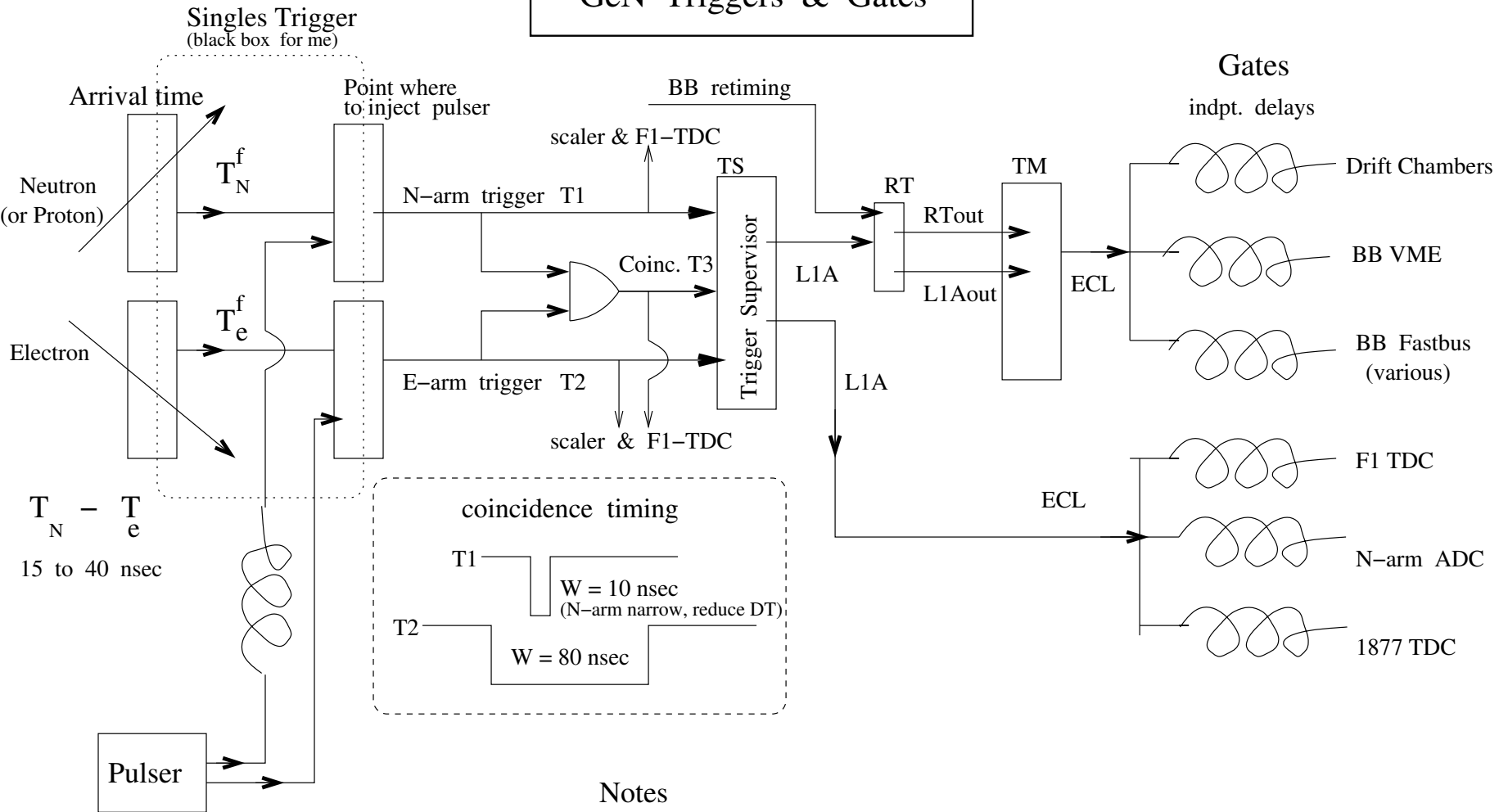


GeN Triggers & Gates



- Pulser simulates coincidences. Takes into account $T_N - T_e \sim 15$ to 40 nsec, and cable delays.
- T_N^f and T_e^f are f(rontentd) delays : arrival time to point in trigger where we inject pulser.
- Reason to retime (RT) the BB: Coinc. trigger T3 timing defined by N-arm, want BB gates indpt of trigger.
- N-arm does not need RT since that arm's trigger defines timing.
- CODA event type nearly useless, will use trigger latch pattern (hit pattern in TDC) to decide event type.