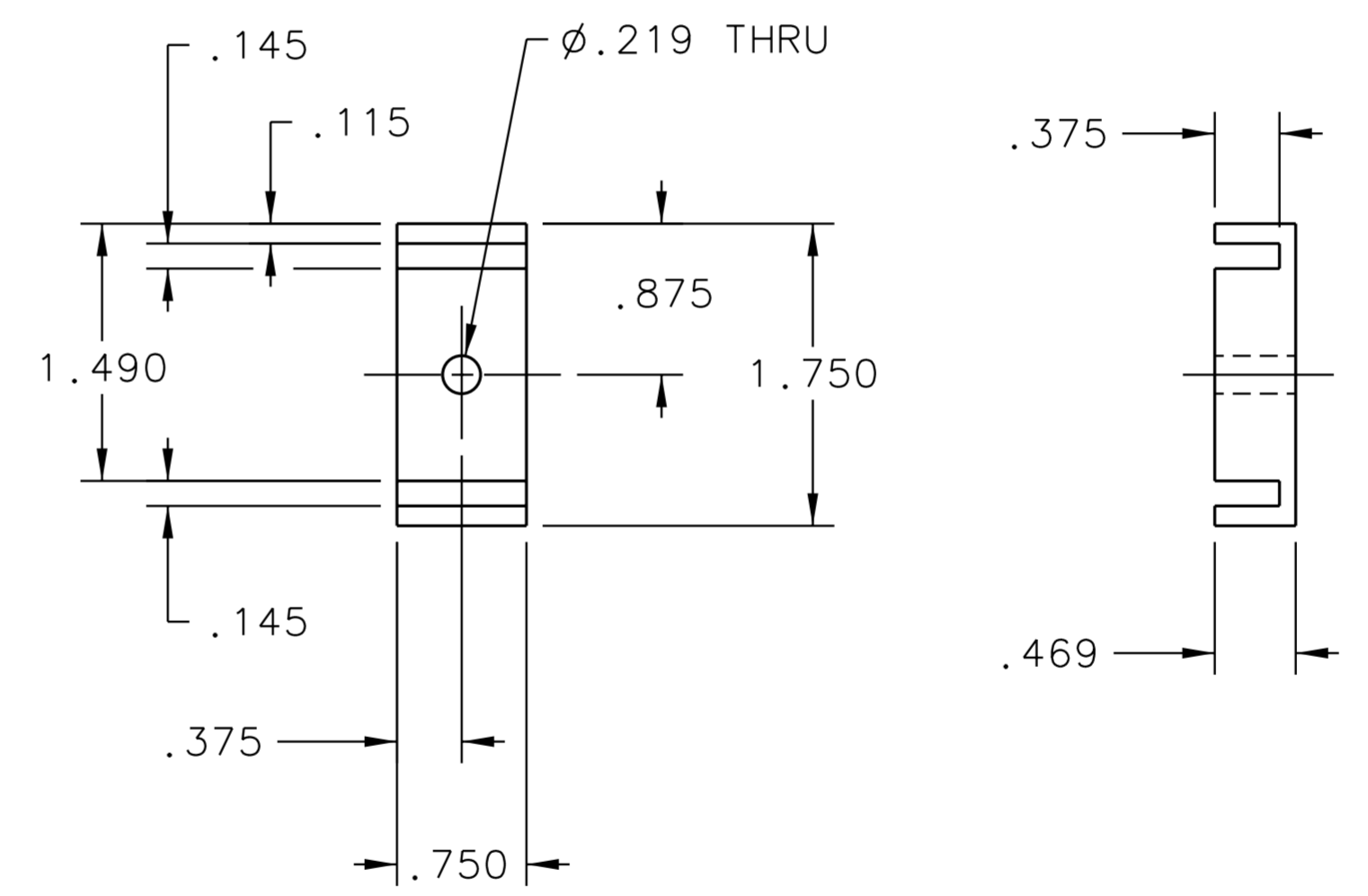


REVISION HISTORY			
REV	DESCRIPTION	DATE	APPROVED



DOCUMENT CONTROL STAMP	DIM & TOL PER ASME Y14.5 UNLESS OTHERWISE SPECIFIED DIMENSIONS ARE IN INCHES TOLERANCES ARE: FRACTIONS DECIMAL ANGLES ±N/A .X ±.1 ±.50° .XX ±.01 .XXX ±.005	TRACKING NO. N/A		 Thomas Jefferson National Accelerator Facility NEWPORT NEWS, VIRGINIA UNITED STATES DEPARTMENT OF ENERGY HALL A - HE3HE4 TARGET - TARGET CELL HRSBL COLLIMATOR 21 DEG ASSY BTM BRACKET REAR	
		APPROVALS			
MATERIAL ALUMINUM	THIRD ANGLE PROJECTION	DRAWN J. MILLER	22SEP06	CHECKED A. GAVALYA	25SEP06
FINISH MACHINED SURFACES DEBURR & BREAK ALL SHARP EDGES	UNLESS OTHERWISE NOTED 125	APPROVED J. GOMEZ	26SEP06	APPROVED P. BRINDZA	25SEP06
DO NOT SCALE DRAWING		SIZE DWG. NO. B A04018-03-01-1201	SCALE 1:1	USED ON ASSY NO. A04018-03-01-1200	SHEET 1 OF 1