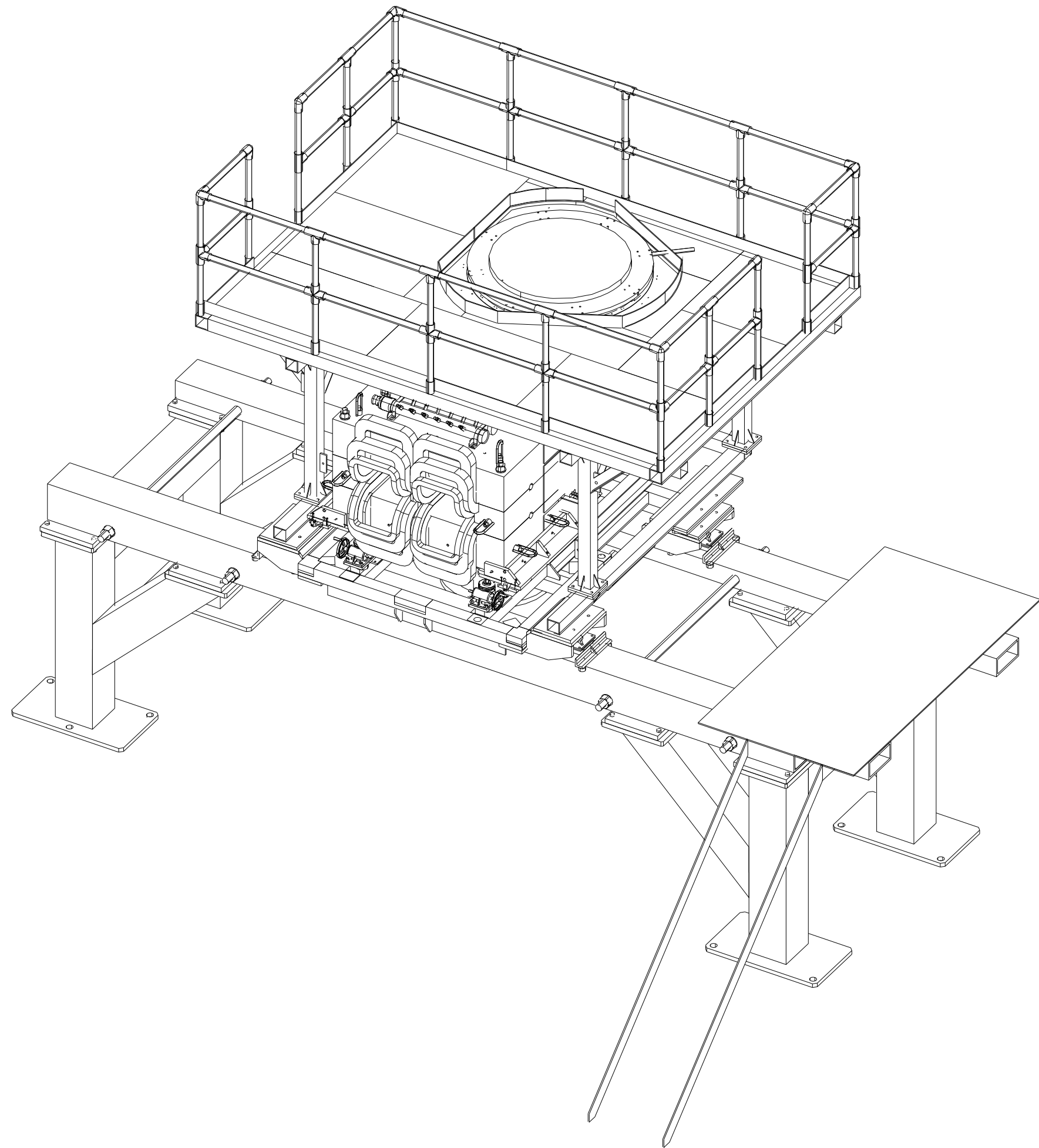
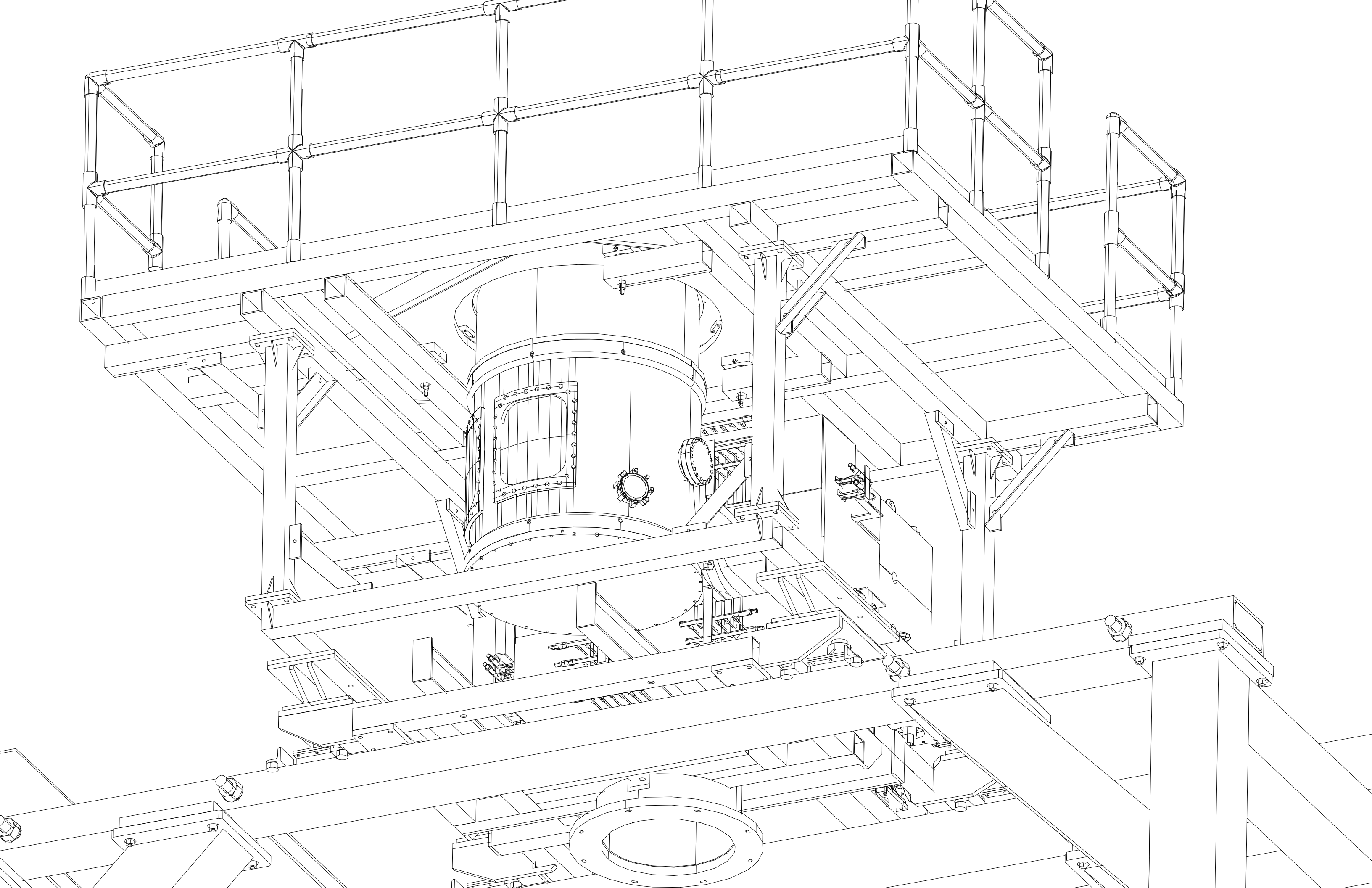


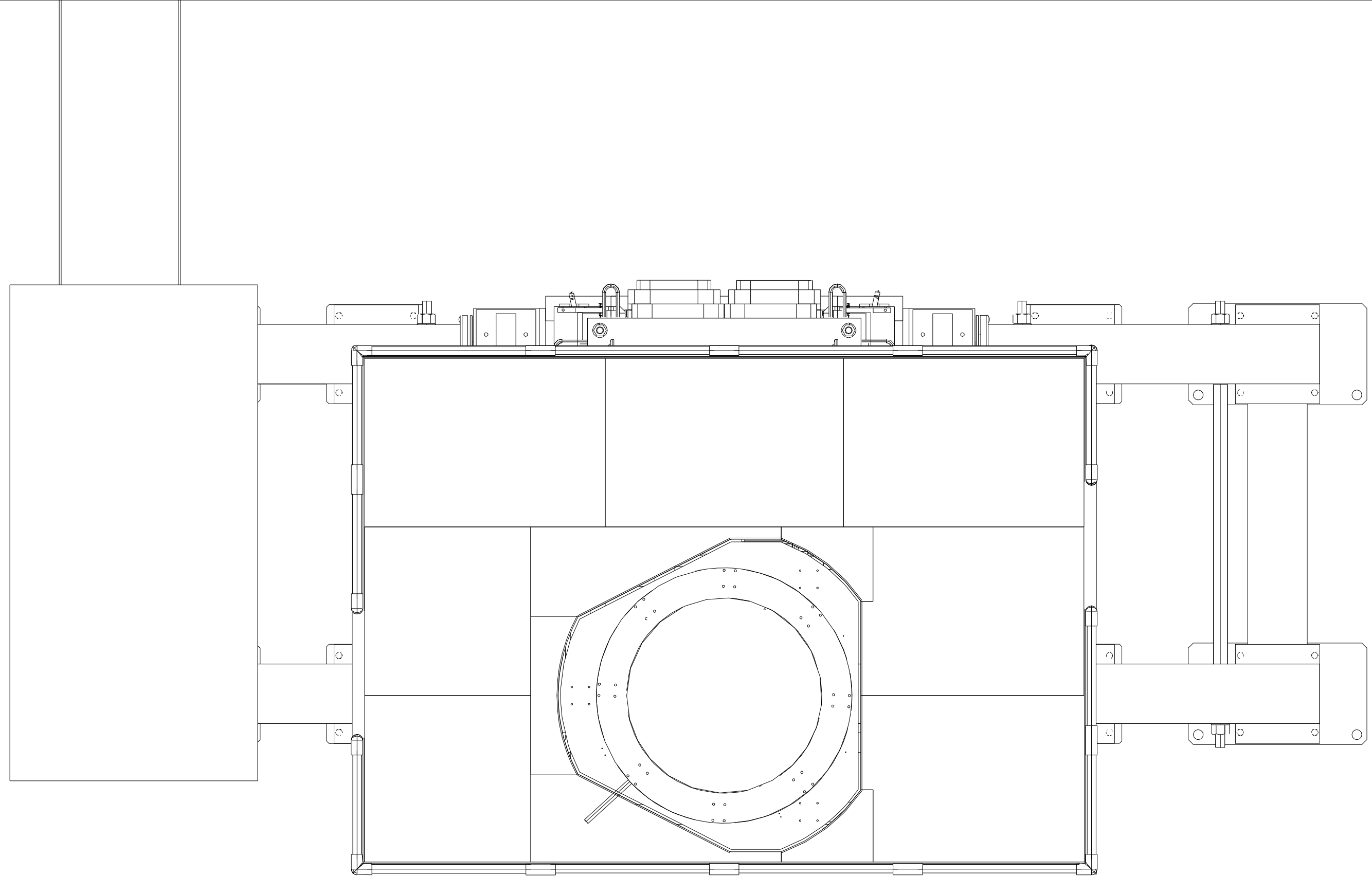
G2p Hall A

Platform & Target Support Design

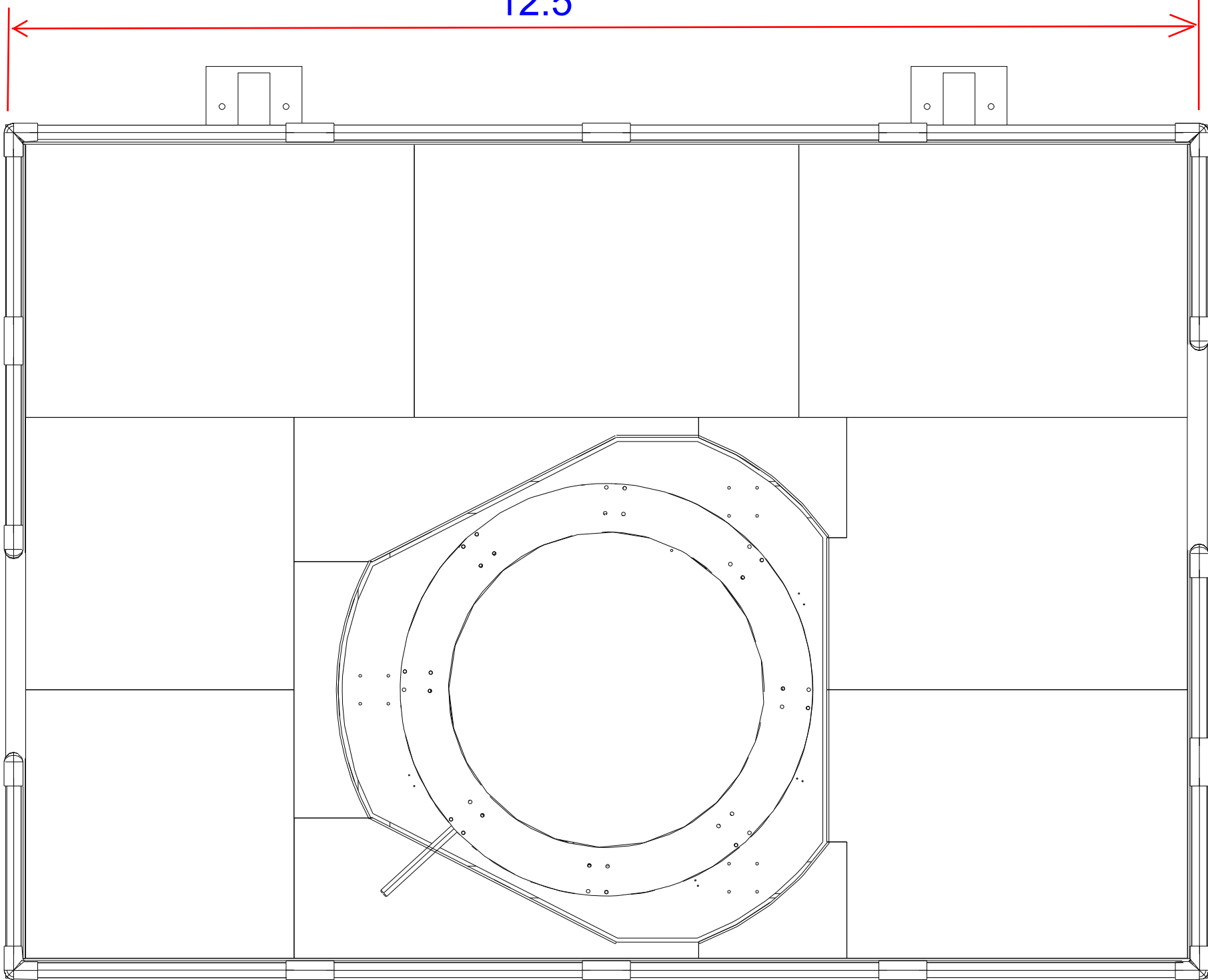
Date: 2010.09.16



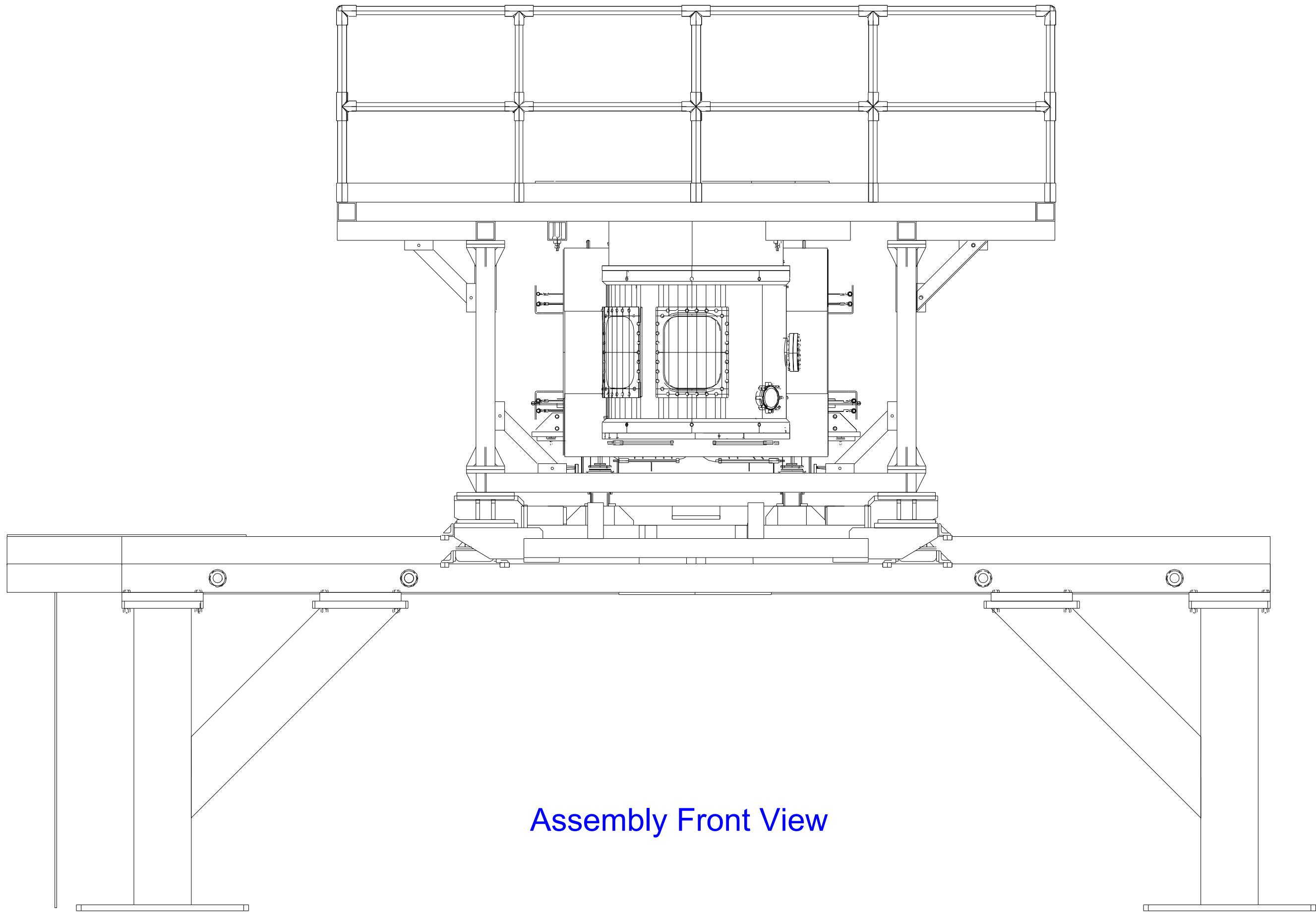




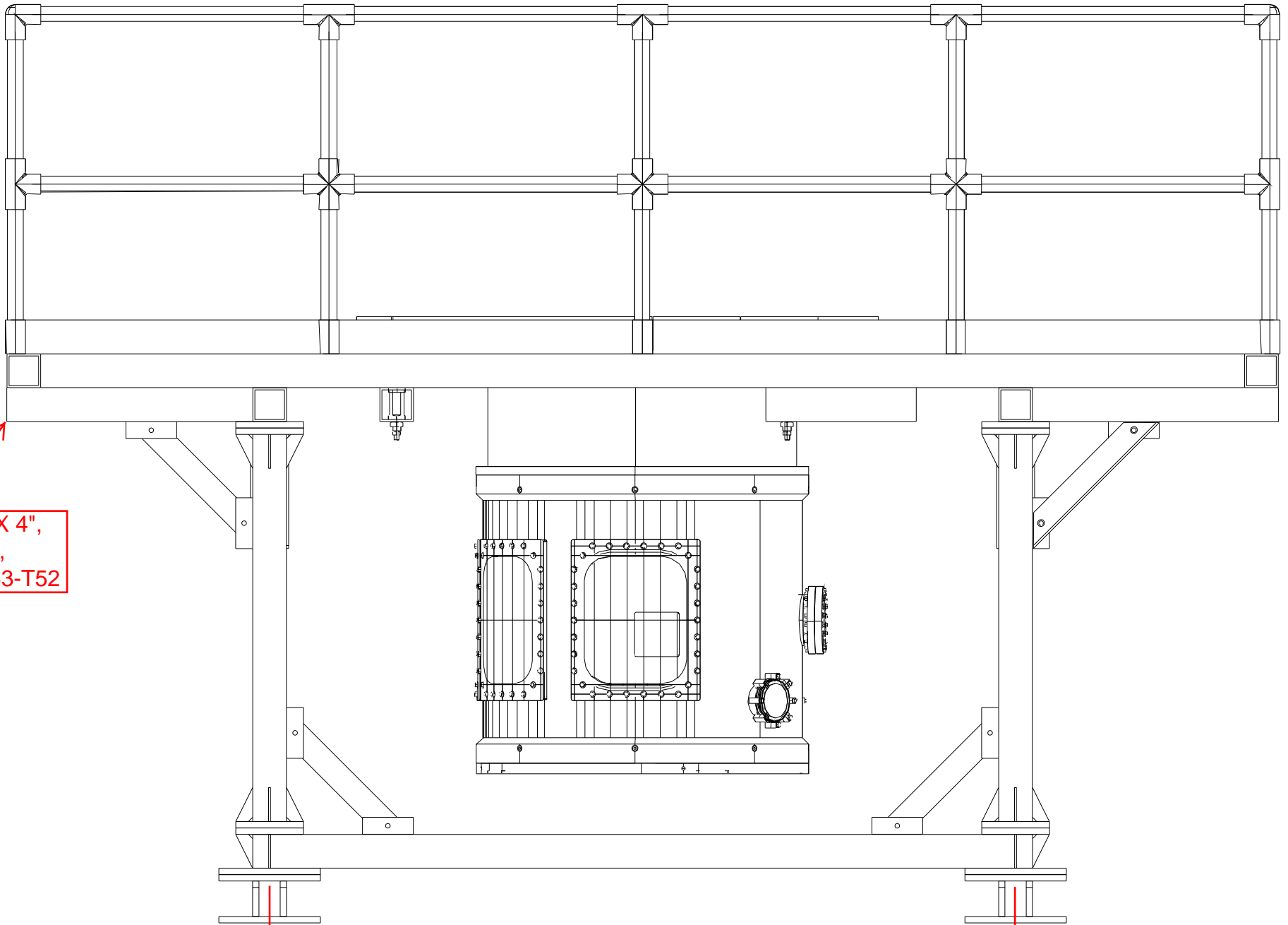
12.5'



8.9'

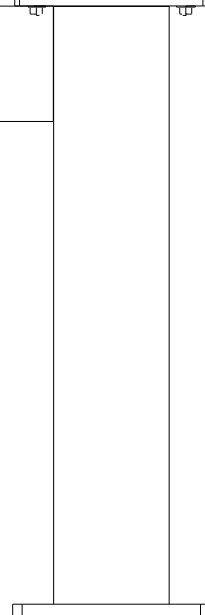
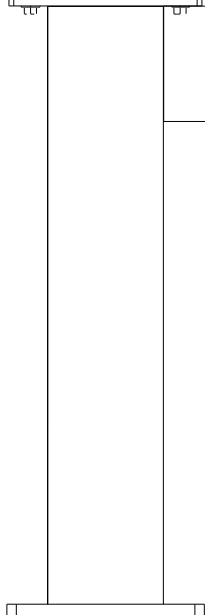
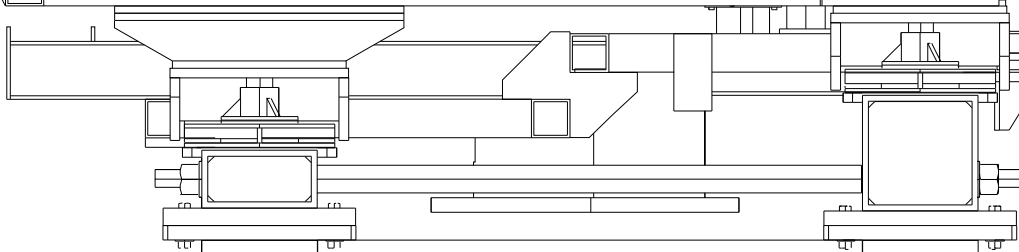
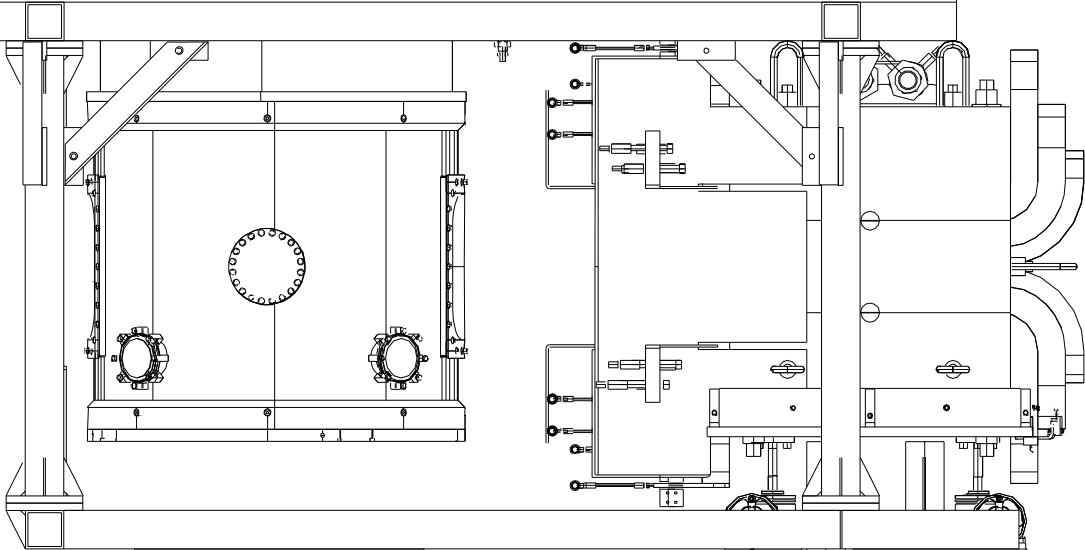
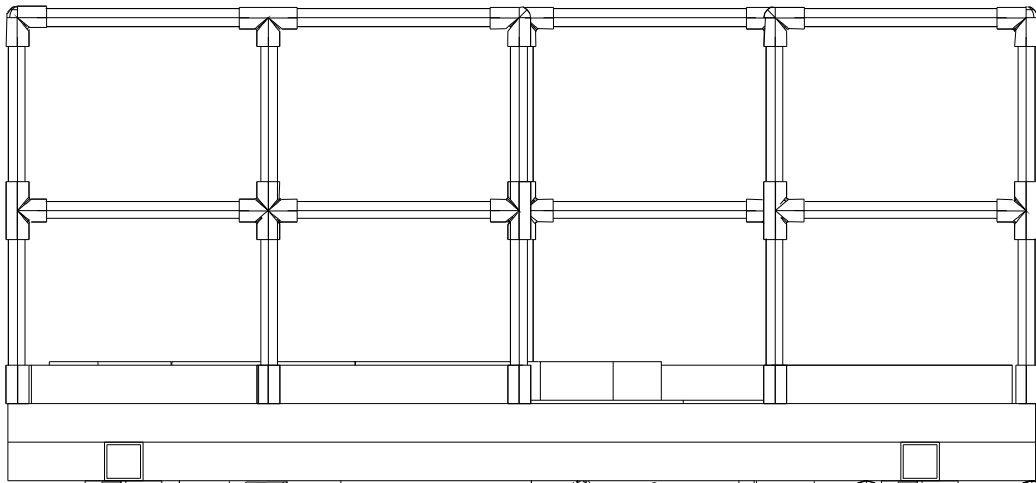


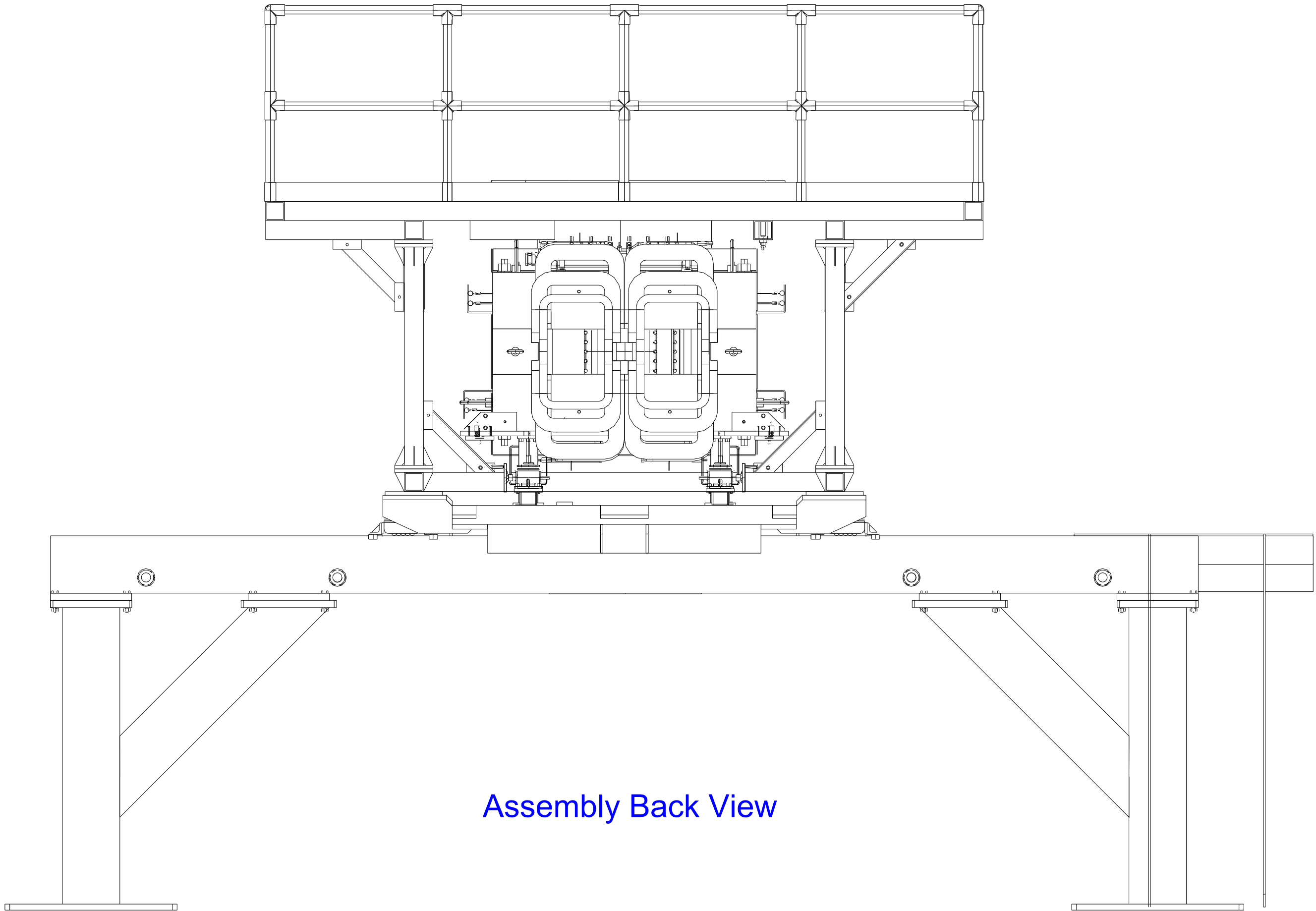
Assembly Front View



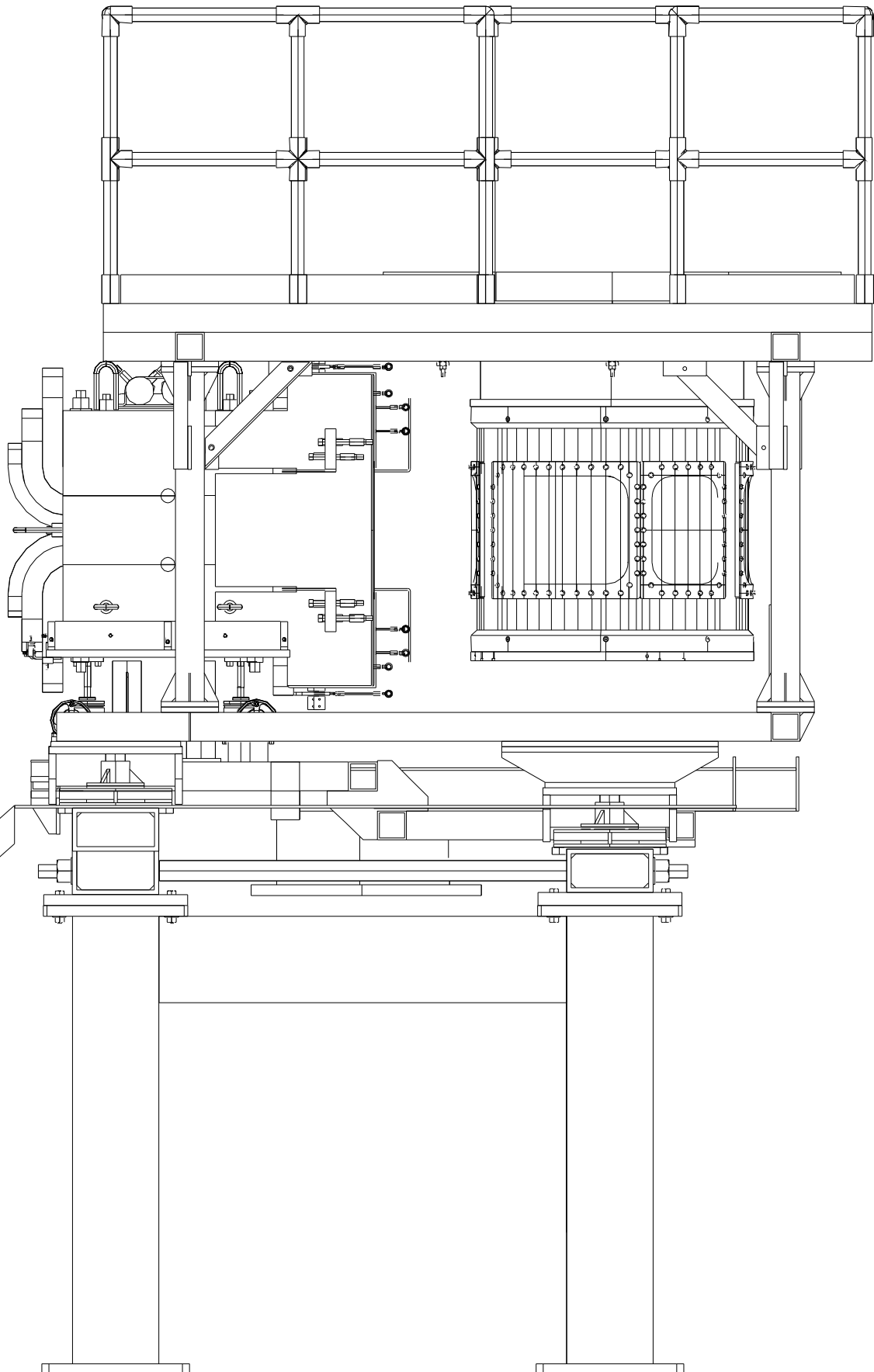
Sq. tubing 4" X 4",
wall thk. 0.25",
aluminum 6063-T52

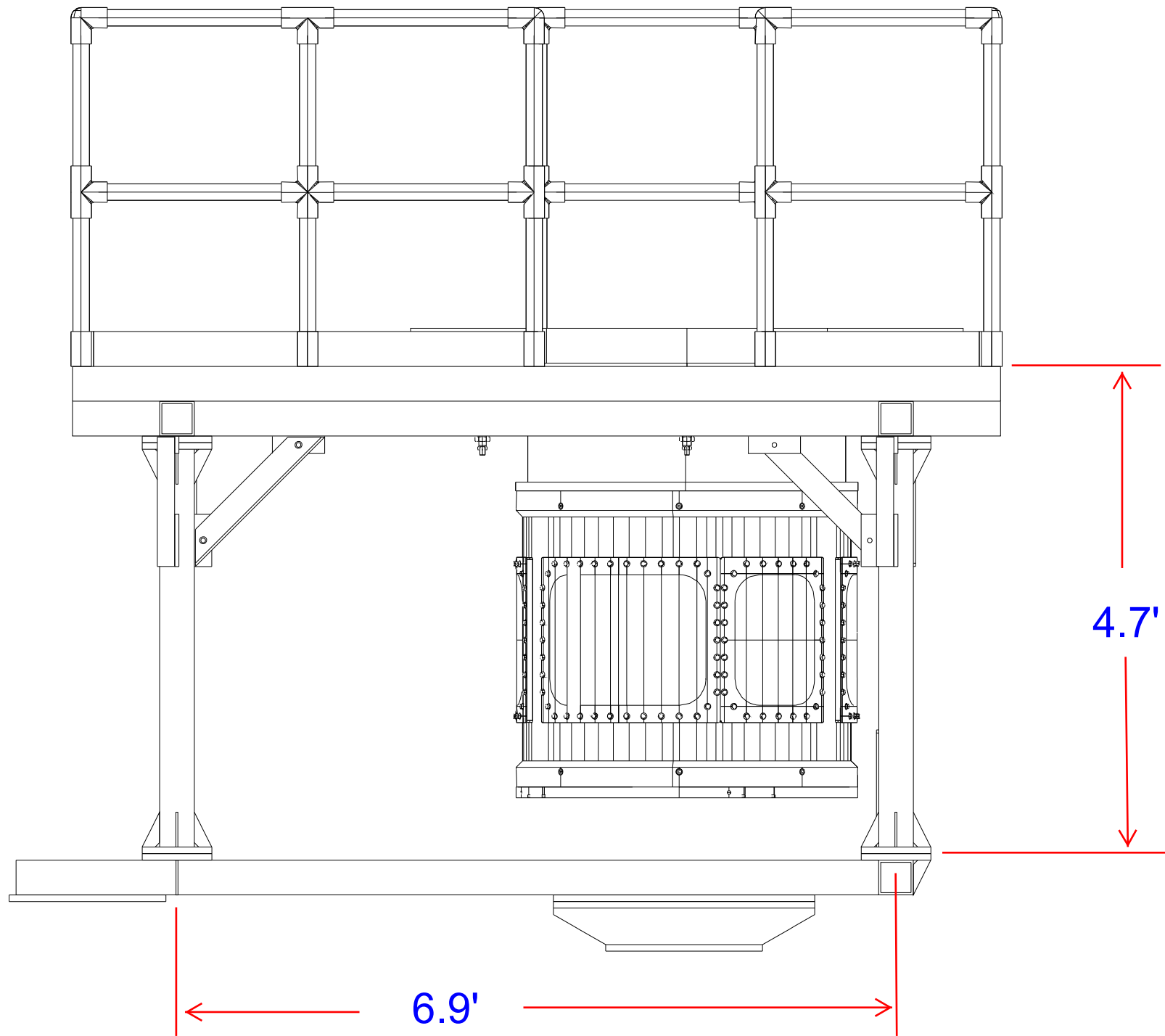
7.3'

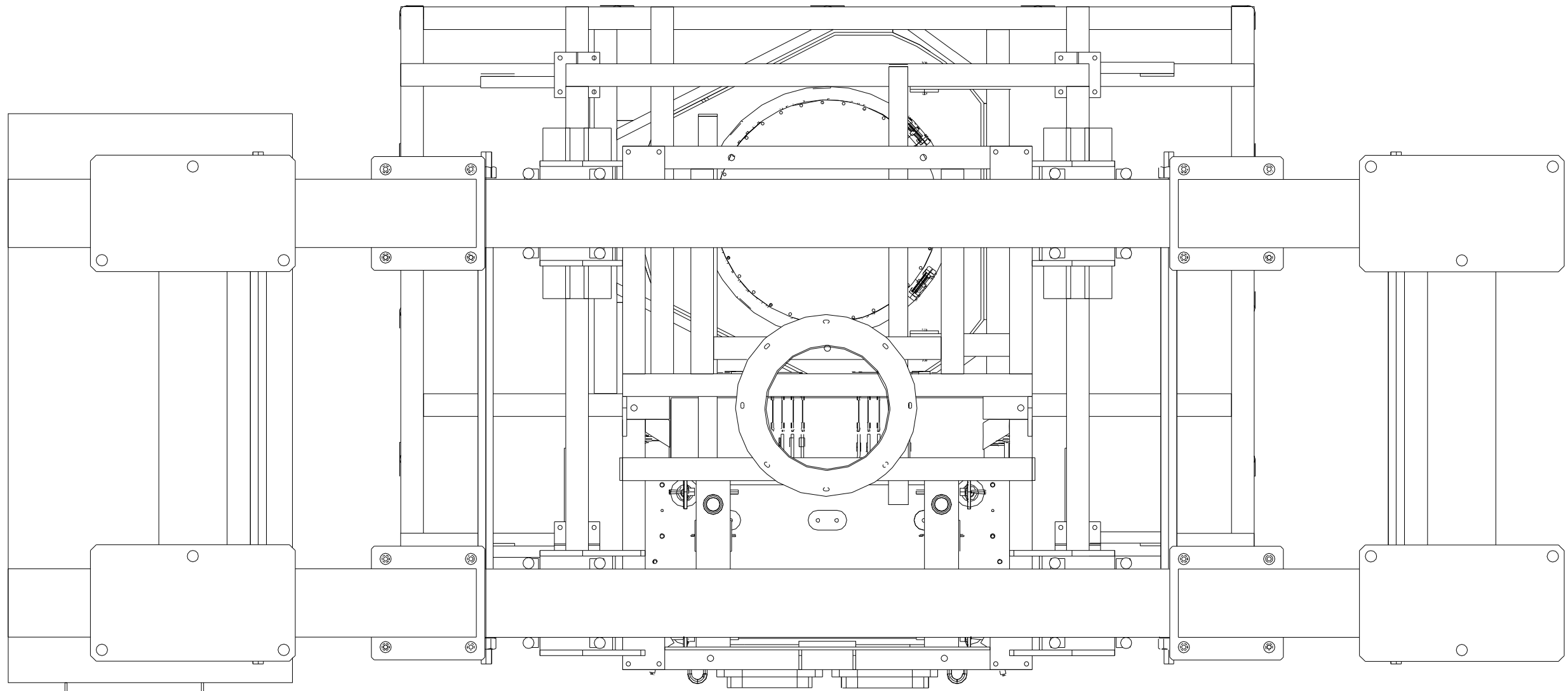




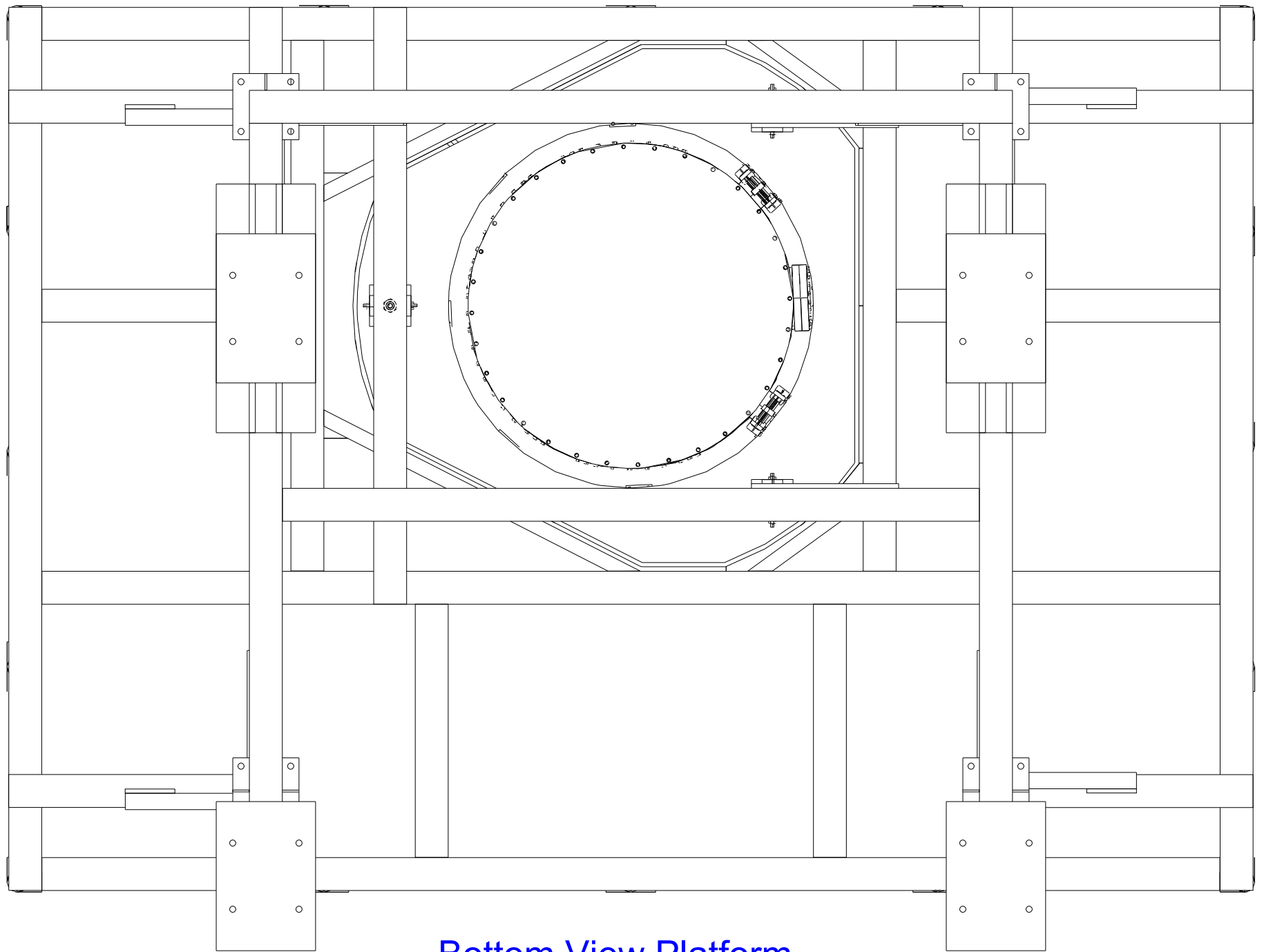
Assembly Back View







Bottom View Assy.



Bottom View Platform