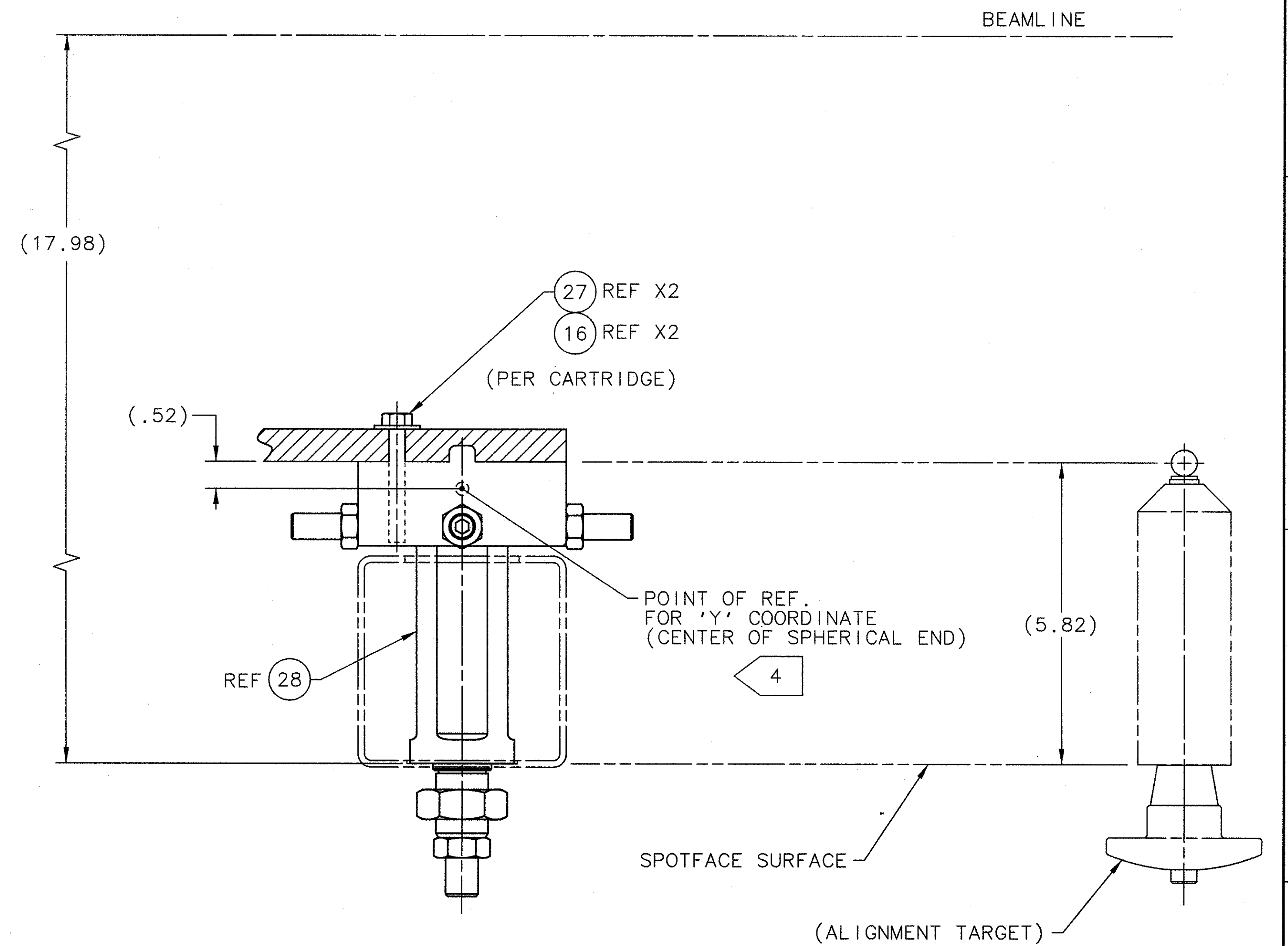
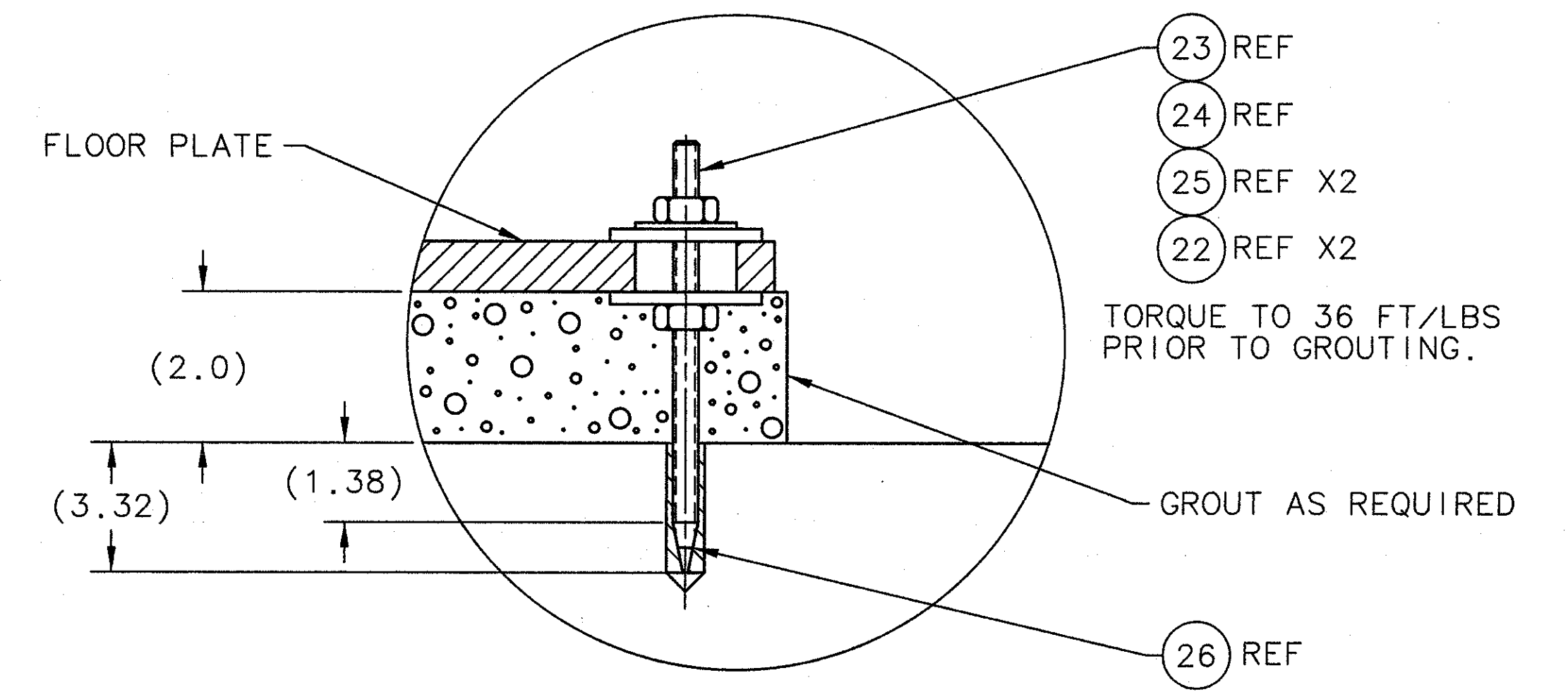
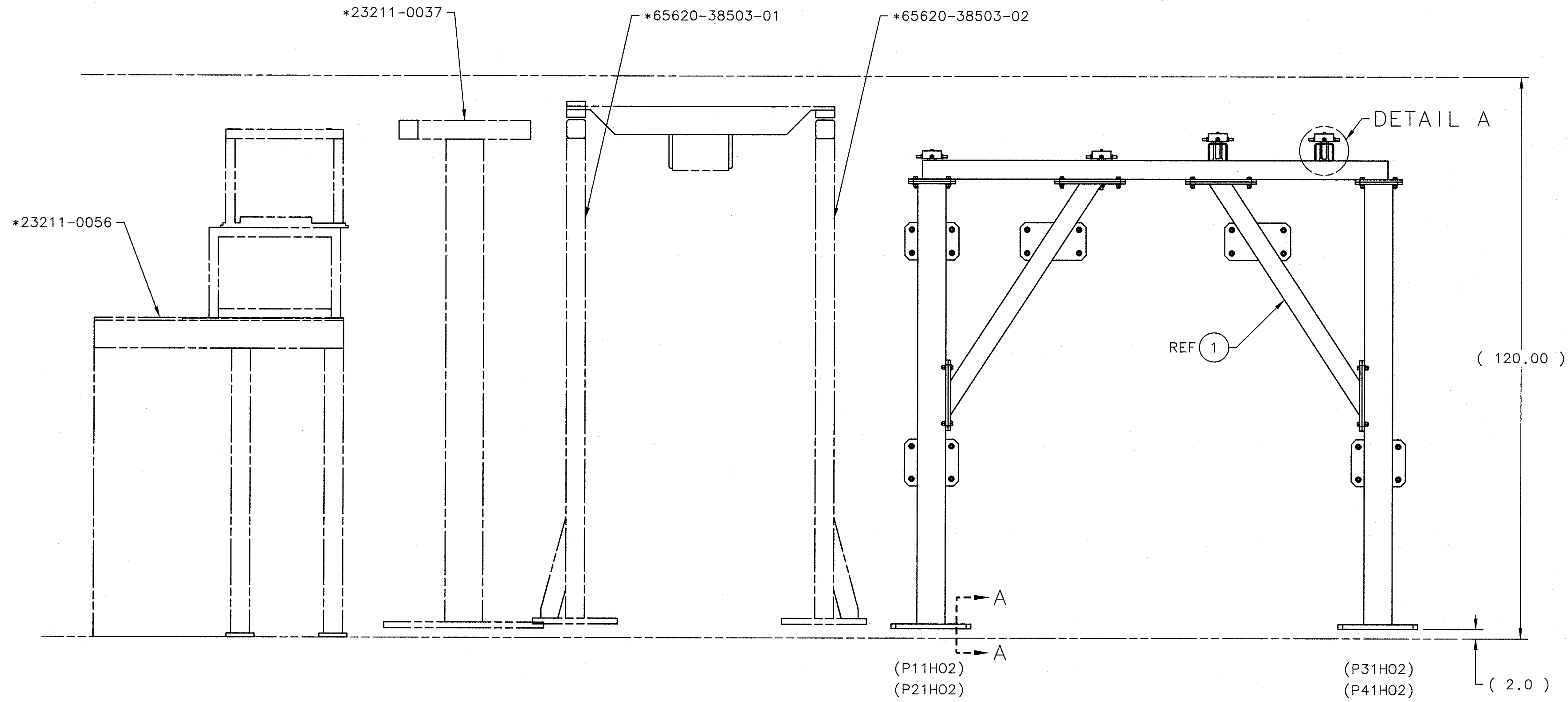


PEDESTAL & CARTRIDGE ORIENTATION/INSTALLATION
 PEDESTAL & CARTRIDGE CAP NOMENCLATURE DEFINITION W/ PEDSTAL ORIENTATION
 *ALL COMPONENTS & STRUCTURES SHOWN ARE EXISTING EXCEPT WHERE NOTED WITH AN *

— BEAM DIRECTION →



DETAIL A
CARTRIDGE ASSEMBLY
 TYP 6 PLACES
 DO NOT SCALE



SECTION A-A
 TYPICAL 3 PLACES
 EACH FLOOR PLATE
 DO NOT SCALE