

DOCUMENT CONTROL STAMP

MATERIAL
Aluminum-6061

FINISH

DEBUR AND BREAK ALL SHARP EDGES
ACCEPT AS NOTED

Do Not Scale Drawing

UNLESS OTHERWISE NOTED

DIM & TOL PER ASME Y14.5.
UNLESS OTHERWISE SPECIFIED
DIMENSIONS ARE IN INCHES
TOLERANCES ARE:
FRACTIONS ±1/64
DECIMAL .XX±0.1
ANGLE ±0.5°
.XXX±0.005

THIRD ANGLE PROJECTION



APPROVALS

DATE

DRAWN

jpierce

6/30/2011

CHECKED

g2p insert

JEFFERSON LAB TARGET GROUP
THOMAS JEFFERSON NATIONAL ACCELERATOR FACILITY
NEWPORT NEWS VIRGINIA
U.S. DEPARTMENT OF ENERGY

SIZE

B

DWG NO

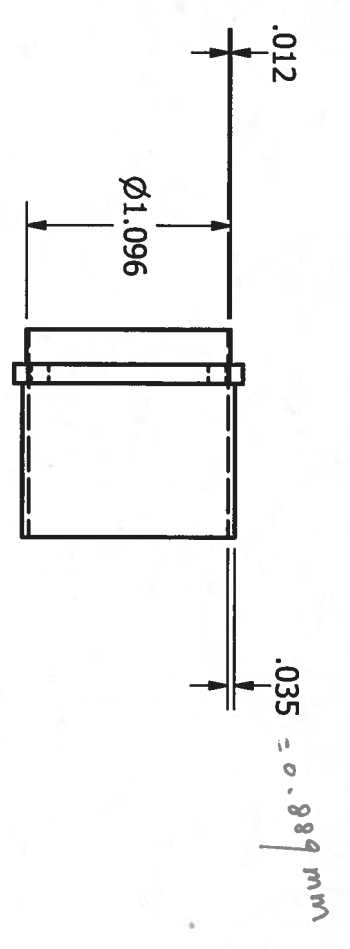
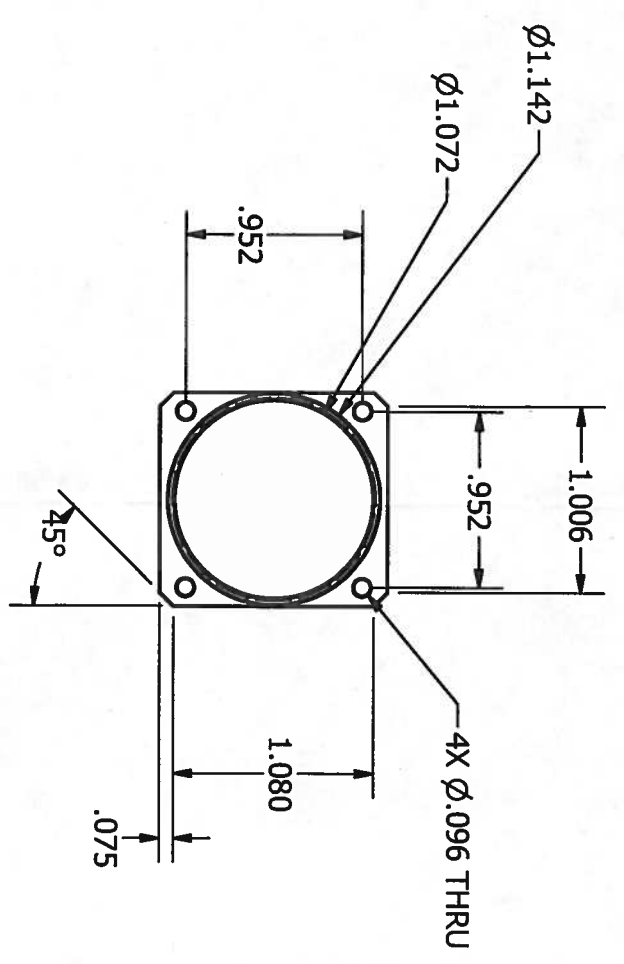
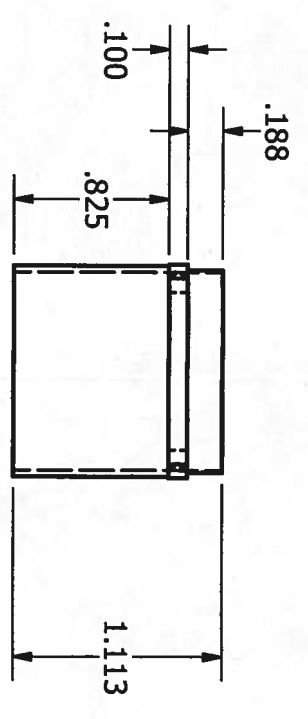
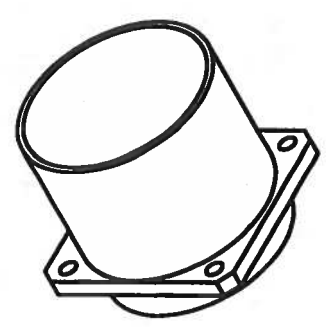
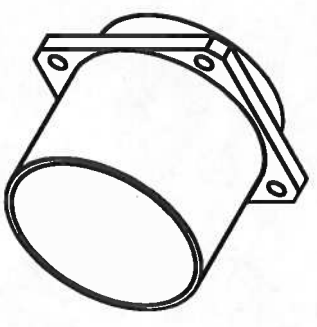
TGT-104-1005-0011

SCALE

ASSY. NO.

SHEET 1 OF 1

REV



JEFFERSON LAB TARGET GROUP
 THOMAS JEFFERSON NATIONAL ACCELERATOR FACILITY
 NEWPORT NEWS VIRGINIA
 U.S. DEPARTMENT OF ENERGY

G2p insert
 Target Cell

SIZE	DWG NO	REV
B	TGT-104-1005-0012	
SCALE	ASSY. NO.	SHEET 1 OF 1

APPROVALS	DATE
DRAWN Josh Pierce	7/21/2011
CHECKED	
APPROVED	
APPROVED	
APPROVED	

DIM & TOL PER ASME Y14.5.
 UNLESS OTHERWISE SPECIFIED
 DIMENSIONS ARE IN INCHES
 TOLERANCES ARE:
 FRACTIONS ±1/64
 DECIMAL .XX±0.1
 ANGLE ±0.5°
 .XXX±0.005

THIRD ANGLE PROJECTION



DOCUMENT CONTROL STAMP

MATERIAL
 Default

FINISH
 UNLESS OTHERWISE NOTED

DEBUR AND BREAK ALL SHARP EDGES
 ACCEPT AS NOTED

Do Not Scale Drawing

4

3

2

1