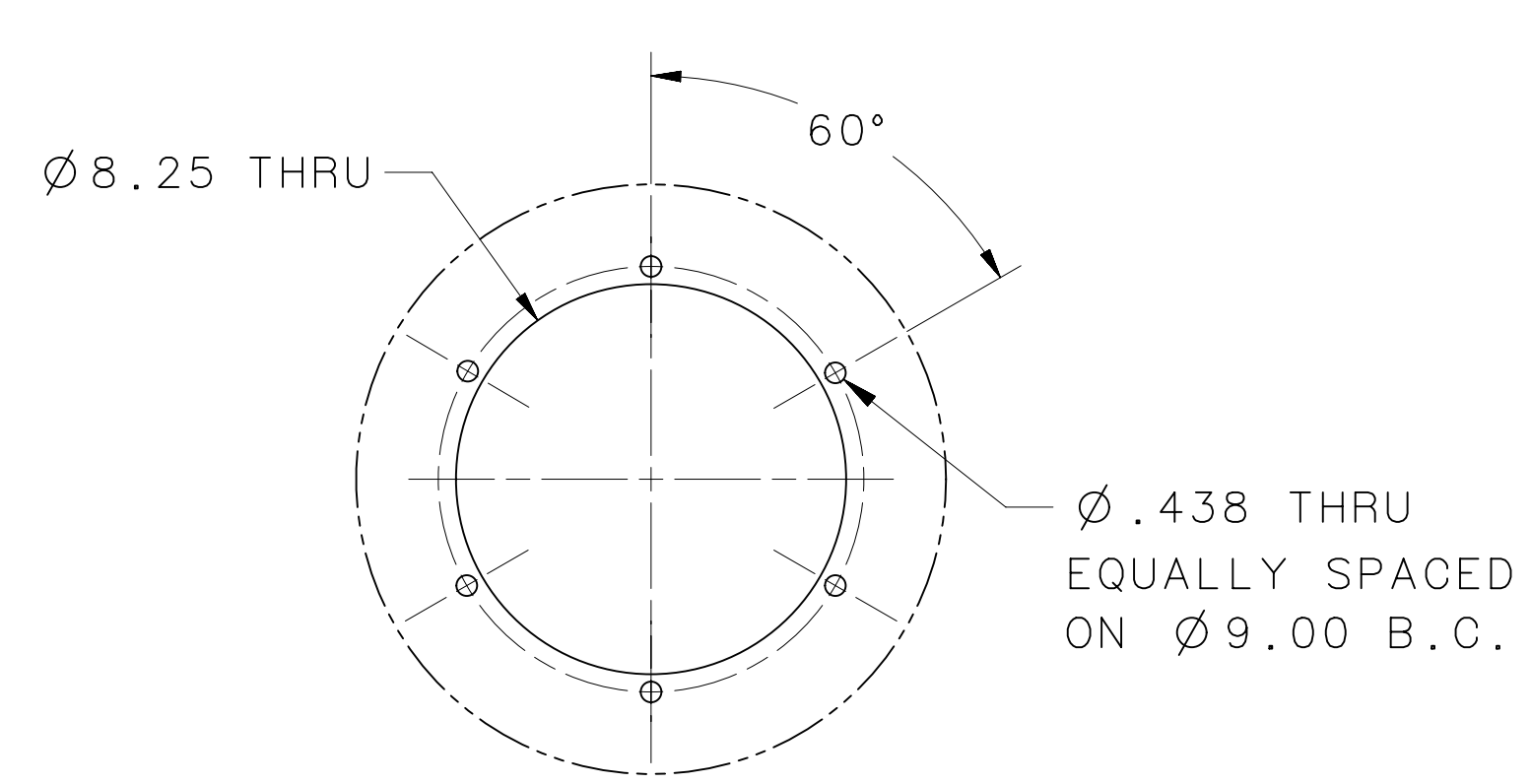
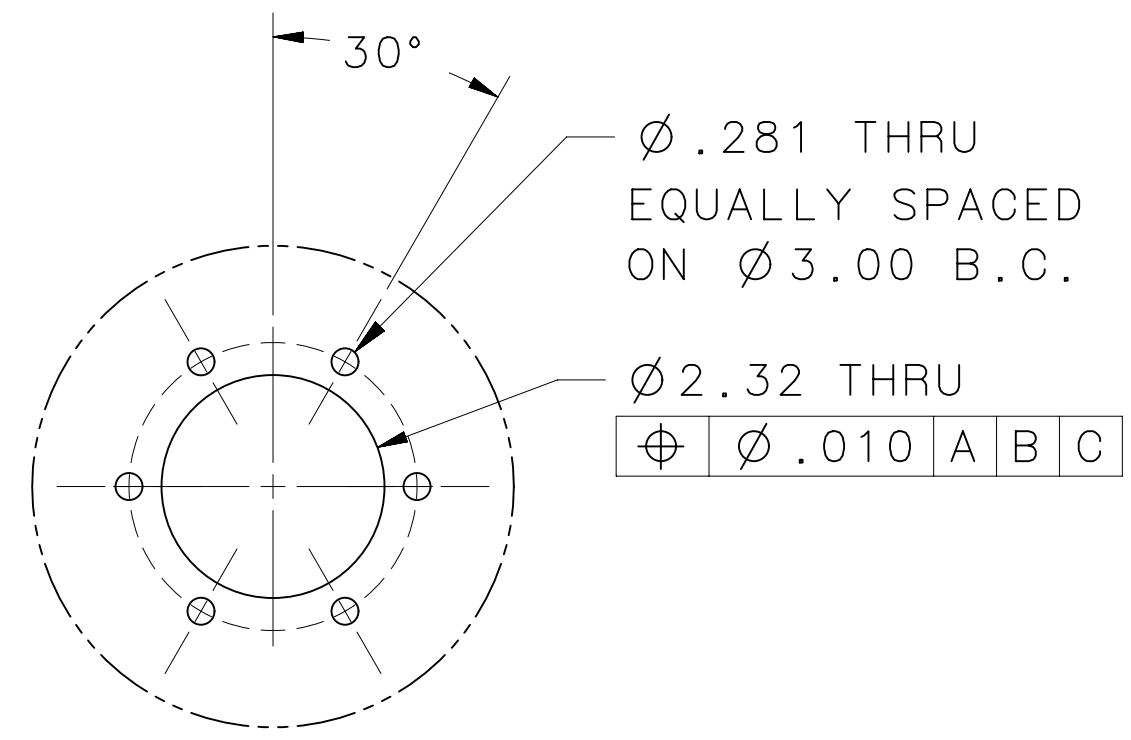


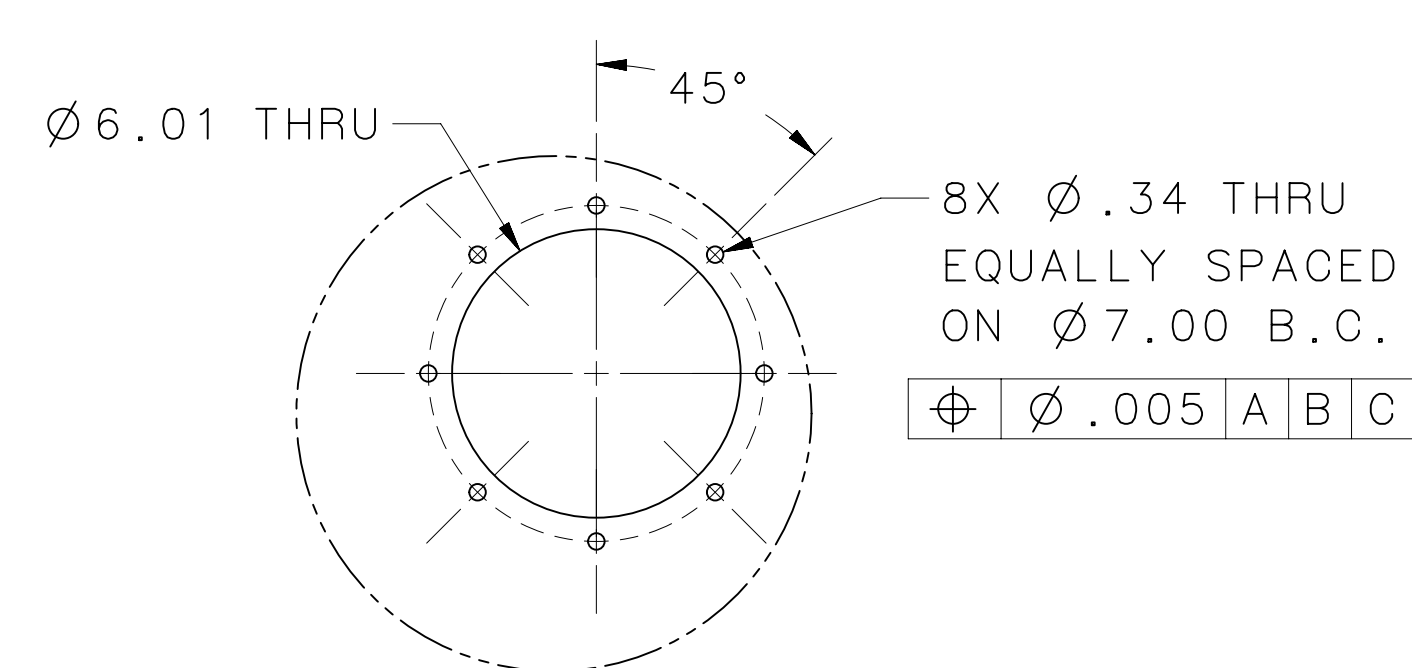
REVISION HISTORY				
ZONE	REV	DESCRIPTION	DATE	APPROVED
E-6	A	ADDED HOLE AND BOLT PATTERN FOR WALL LIGHT ASSEMBLY SEE DETAIL G	9/3/14	
	B	HOLE LOCATIONS CHANGED / MARKED WITH A REV TRIANGLE	9/18/14	



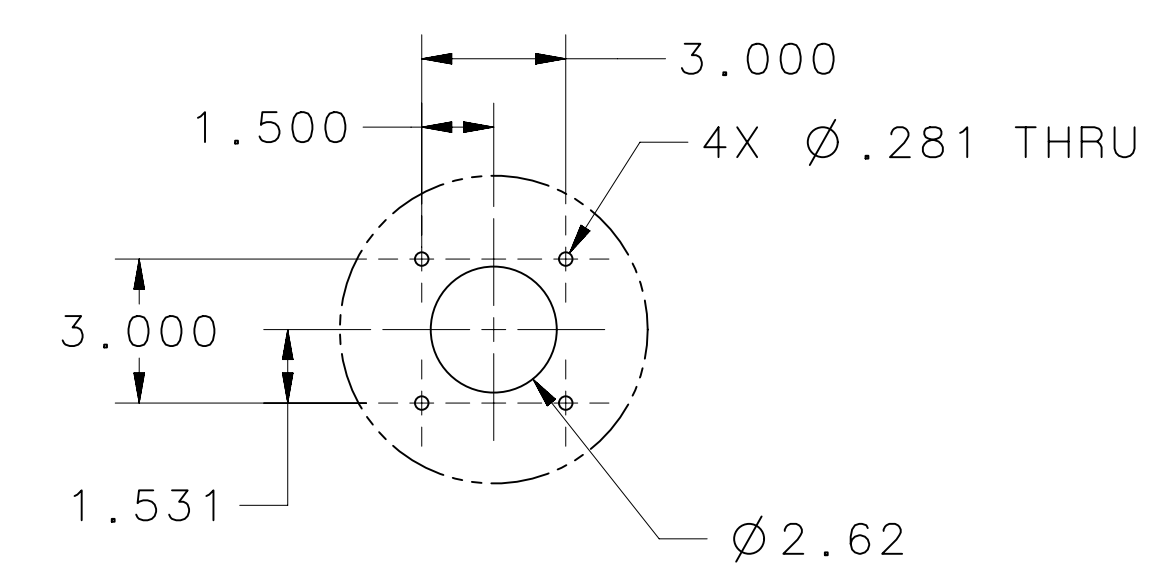
DETAIL A
SCALE 1:4



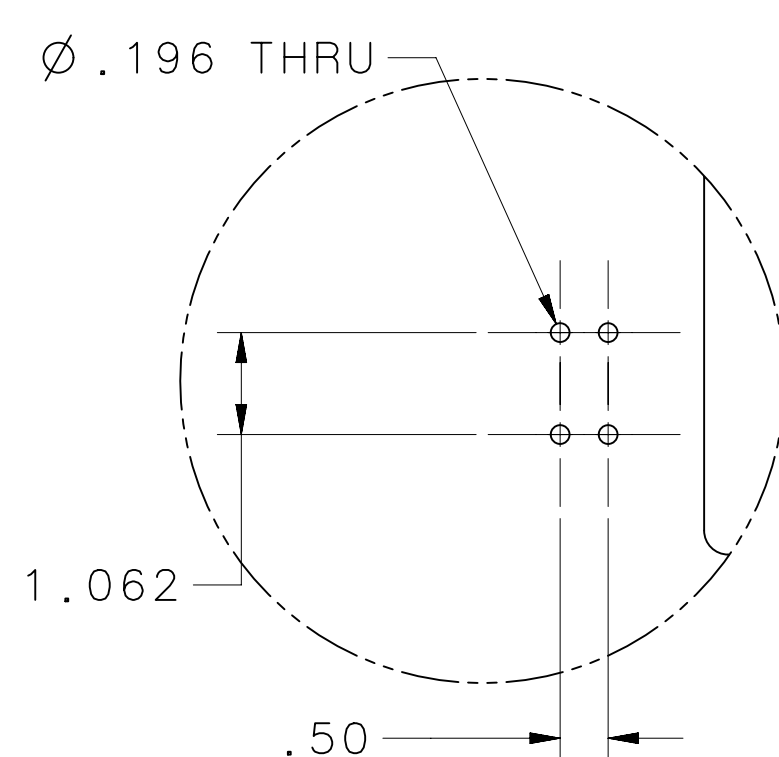
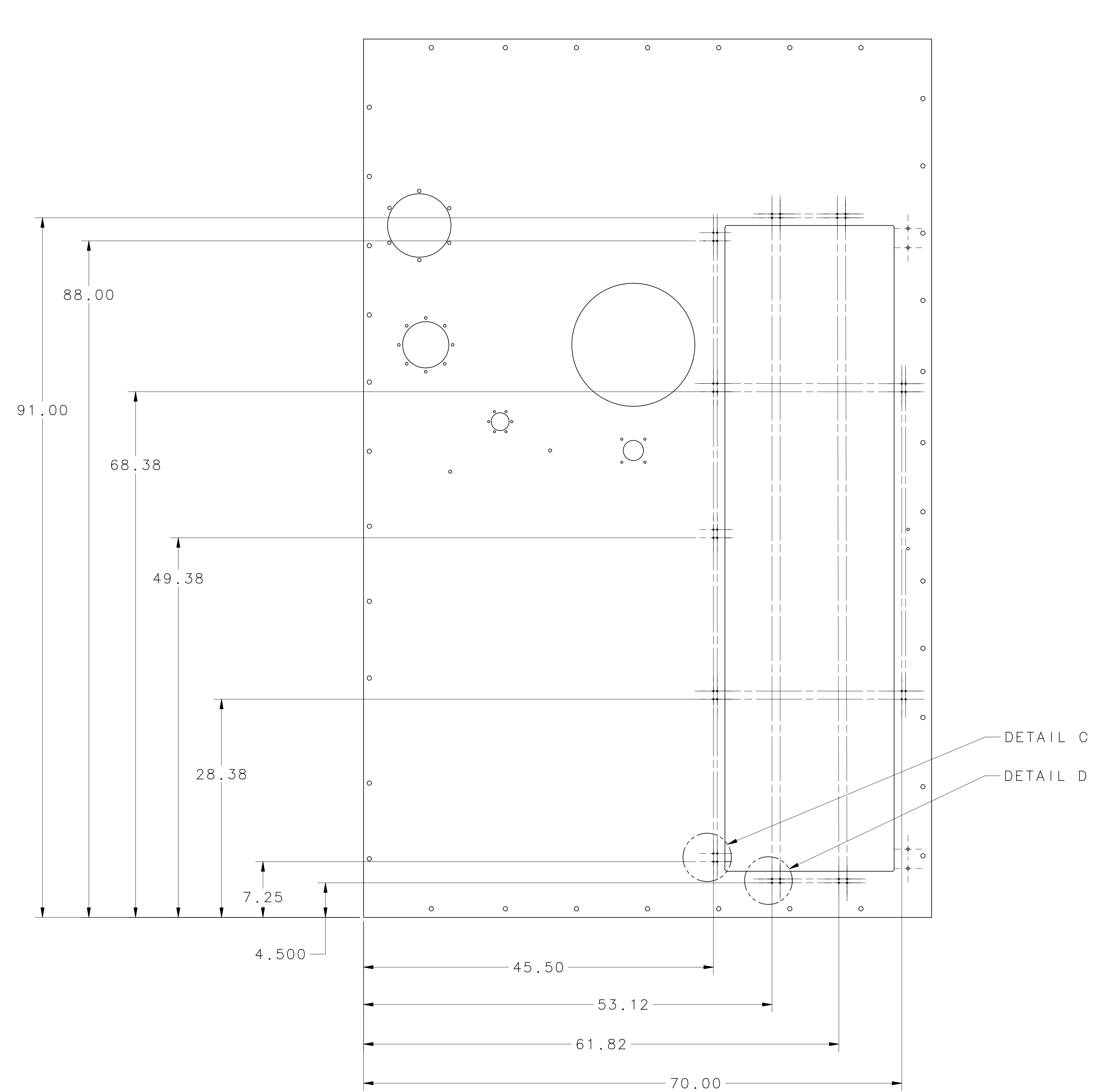
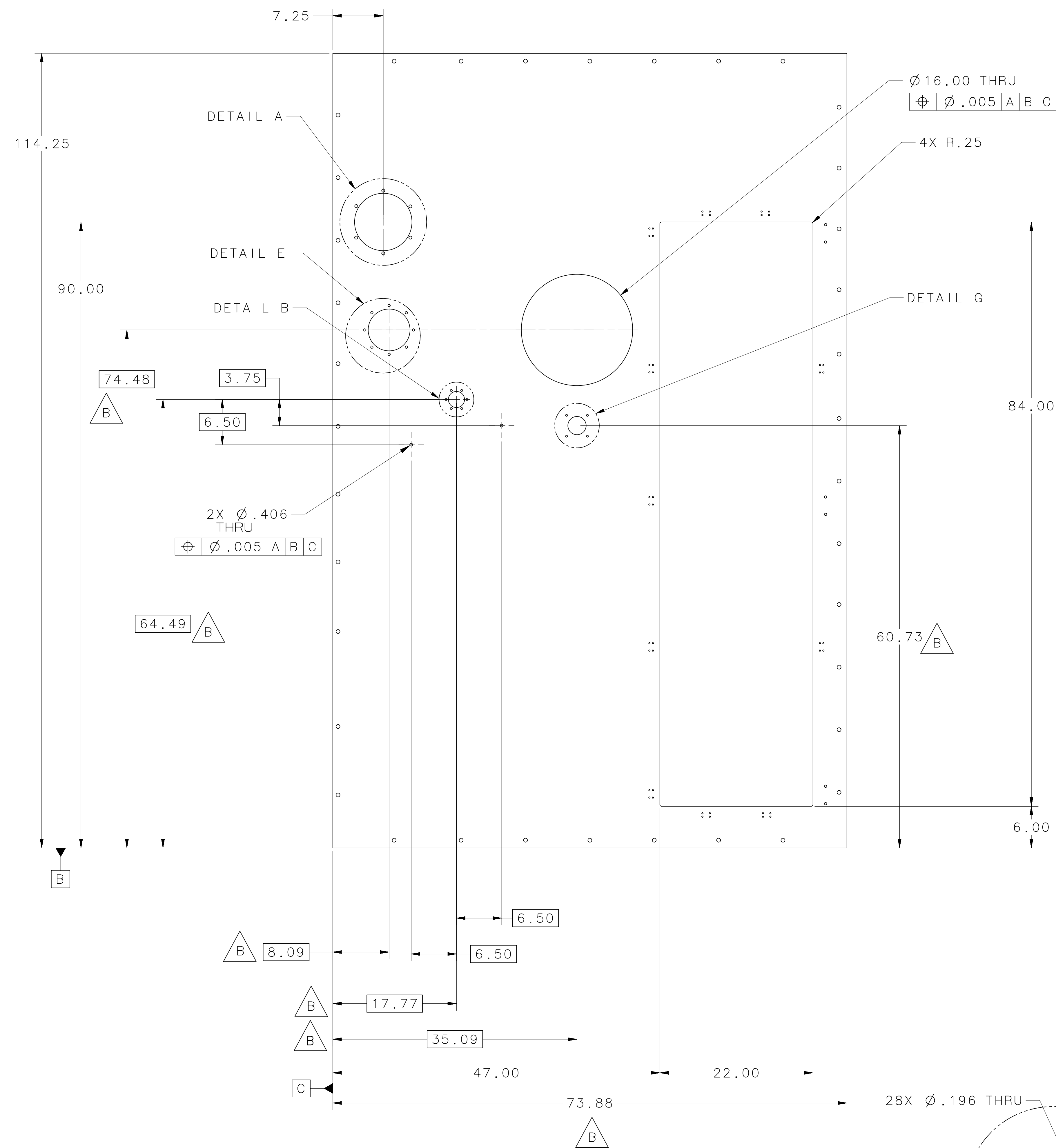
DETAIL B
SCALE 1:2



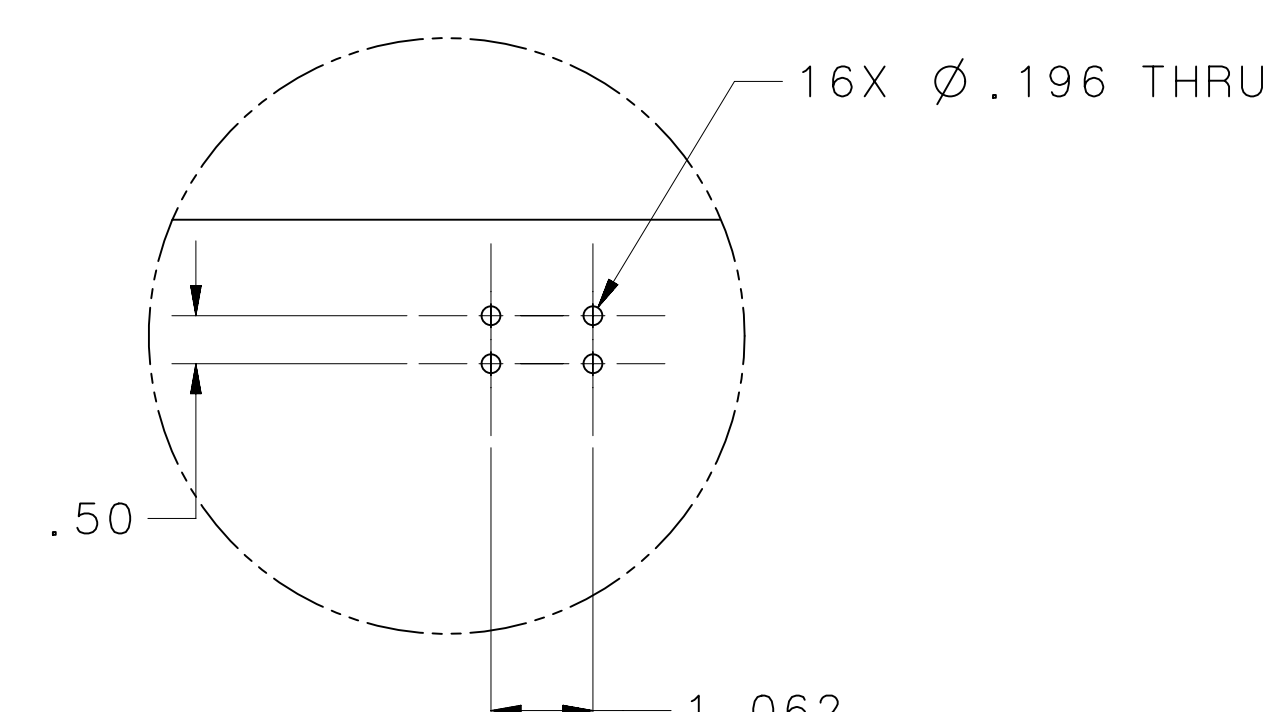
DETAIL E
SCALE 1:4



DETAIL G
SCALE 1:4

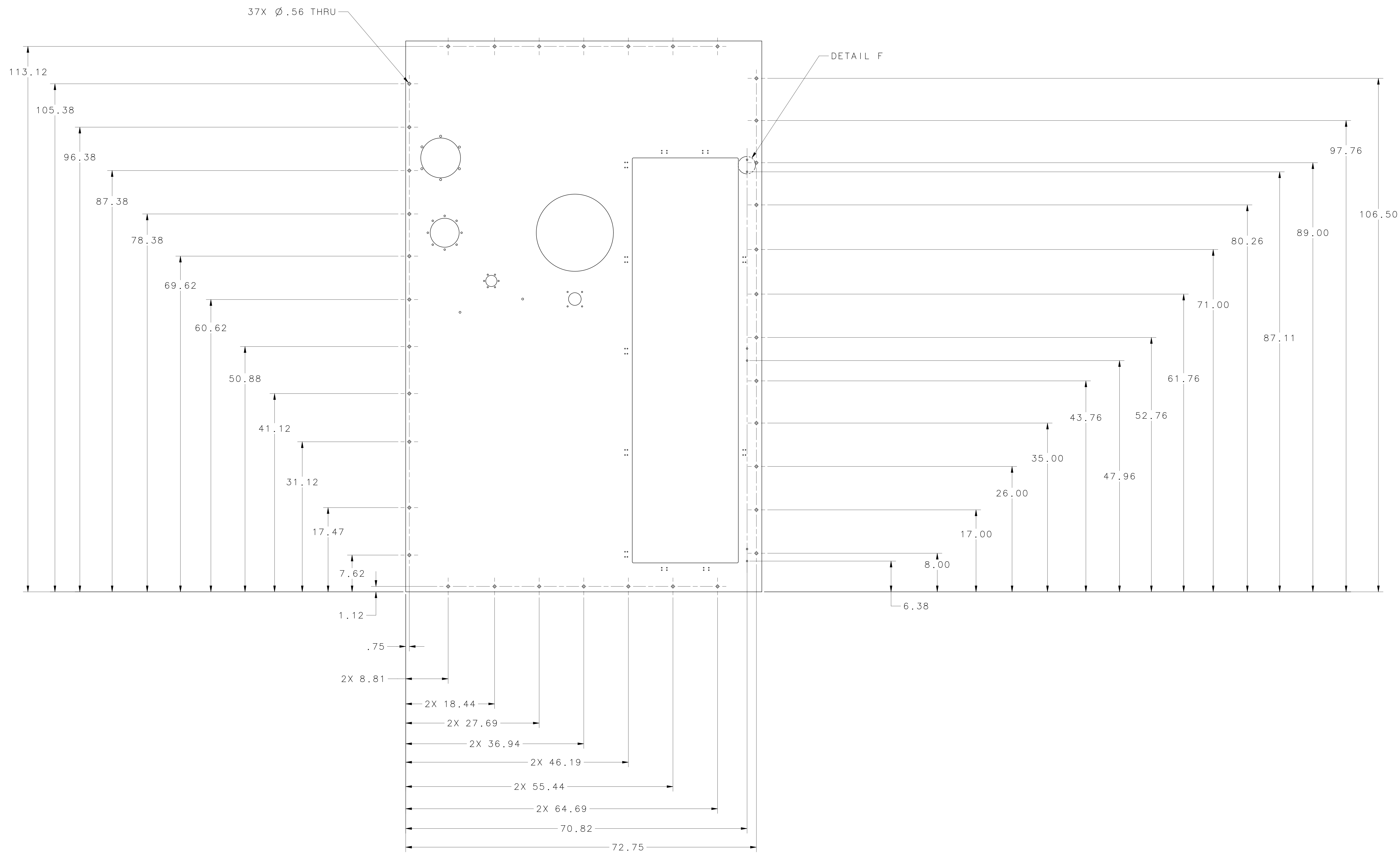
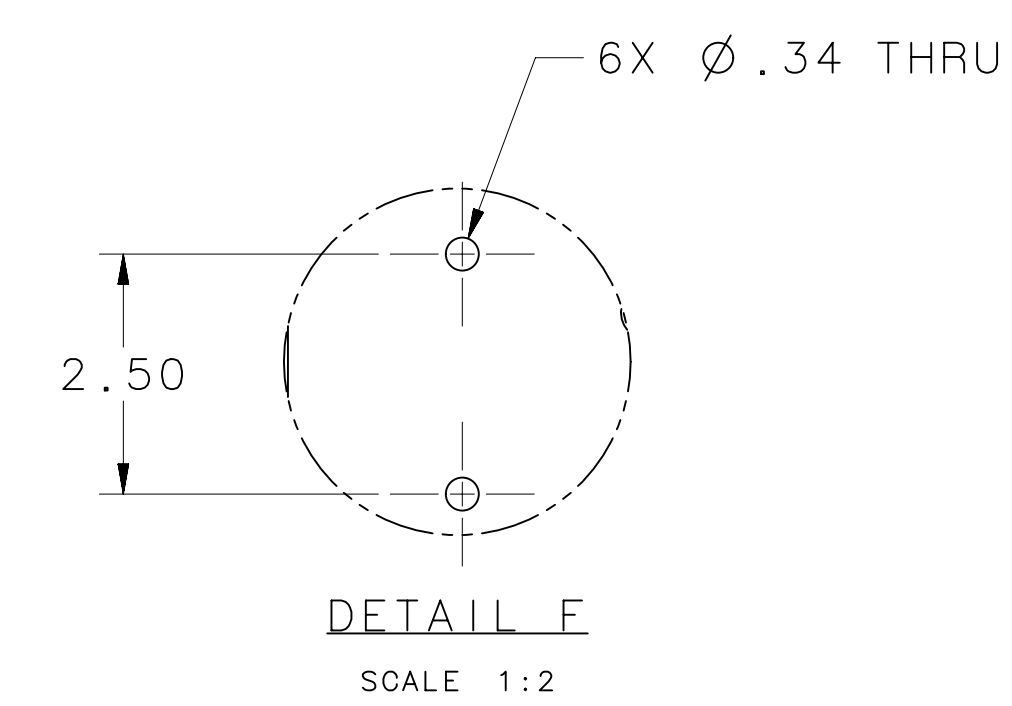


DETAIL C
SCALE 1:2



DETAIL D
SCALE 1:2

EACH SHEET OF MULTI-SHEET DRAWINGS SHALL ALWAYS HAVE THE SAME REVISION LEVEL.			
DWG & TOL PER ASME Y14.5 UNLESS OTHERWISE SPECIFIED DIMENSIONS ARE IN INCHES. TOLERANCES ARE: FRACTIONS X DECIMAL ANGLES ± N/A ± .01 ± .50°	MATERIAL ALUMINUM 6061-T6	United States Department of Energy Jefferson Lab Thomas Jefferson National Accelerator Facility Newport News Virginia	REV. B
THIRD ANGLE PROJECTION FINISH MACHINED SURFACES DEBURR & BREAK ALL SHARP EDGES DO NOT SCALE DRAWING	UNLESS OTHERWISE NOTED	HALL A INSTALLATION BEAM DUMP WALL PLATE	DATE 09JUL14
DRAWN D.SPELL	SCALE 1:8	SIZE DWG. NO. JLO015725	SHEET 1 OF 2



SIZE	DWG. NO.	REV.
E	JL0015725	B
SCALE	1:8	100 IN ASSY NO. JL0015694 SHEET 2 OF 2