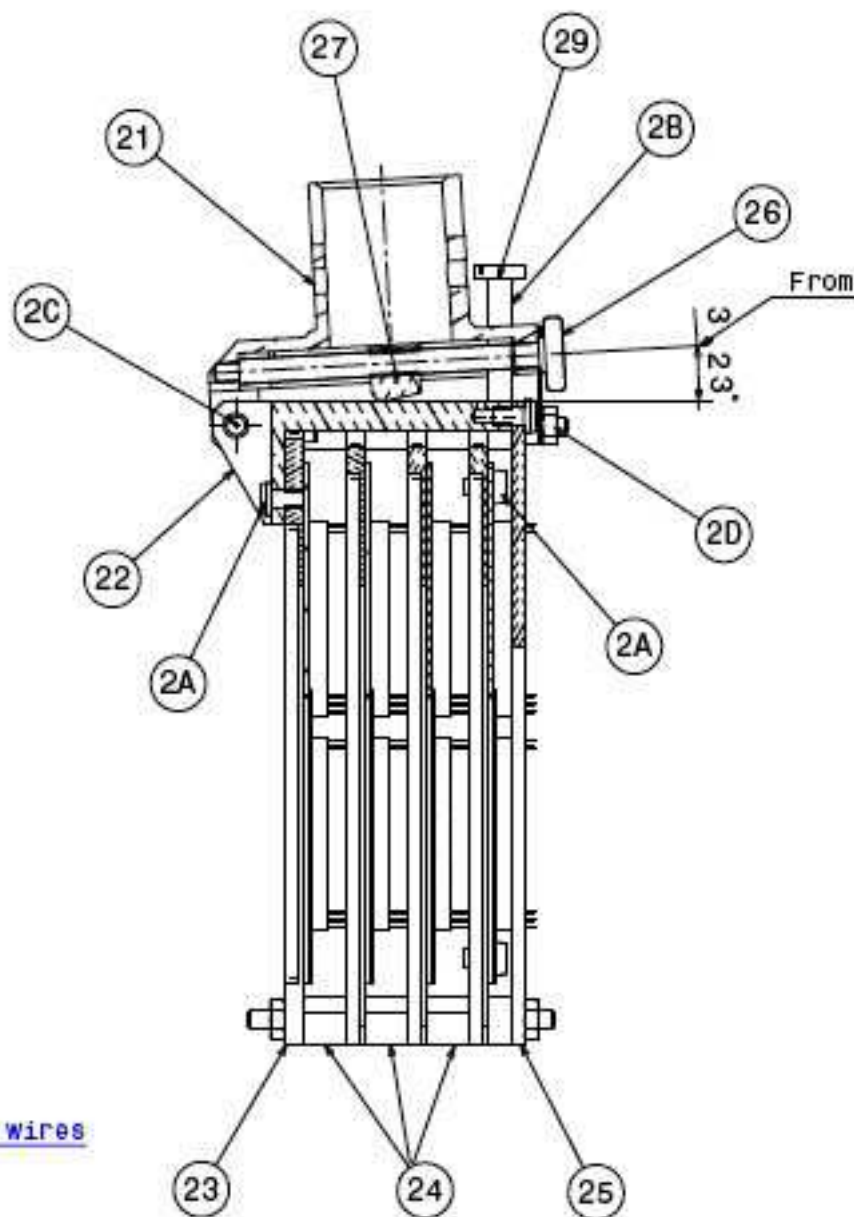
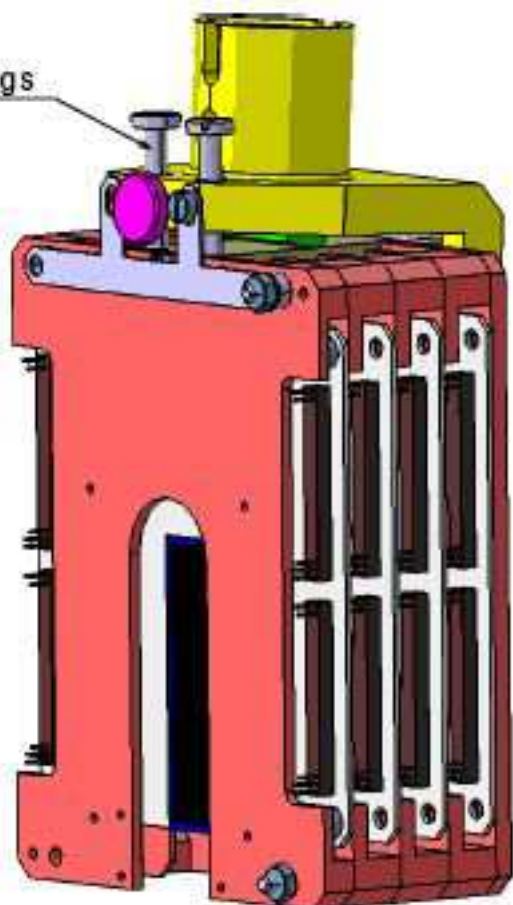


Beam adjustment wires

A



2 springs



2D	4	tige M3-50	
2C	2	Axe Ø4-16	
2B	2	ressort	
2A	16	Vis M3-5	
29	1	pont-ressort	PR
28	1	liaison	PR
27	1	ecrou-guide	PR
26	1	Vis-guide	PR
25	1	cache-avant	PR
24	3	supor-detector2	PR
23	1	supor-detector	PR
22	1	suporaxe	PR
21	1	suppor-4-detector	PR
10	4	detecteur	PR