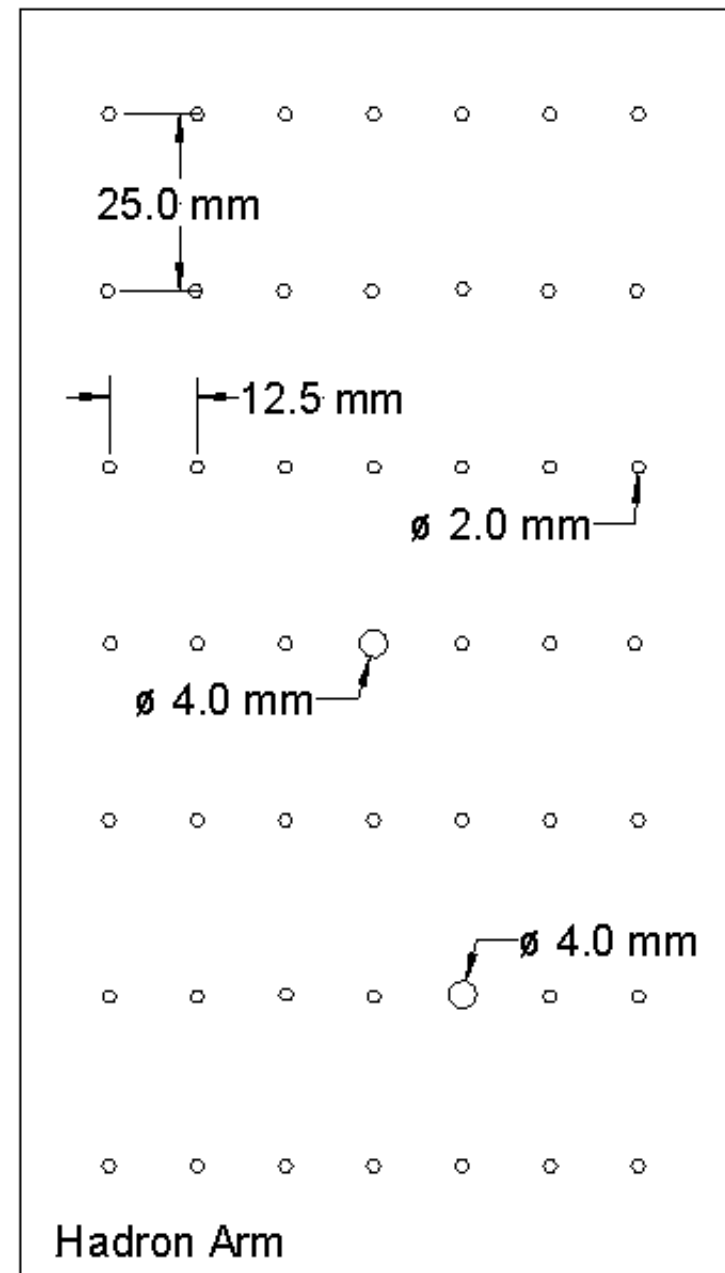
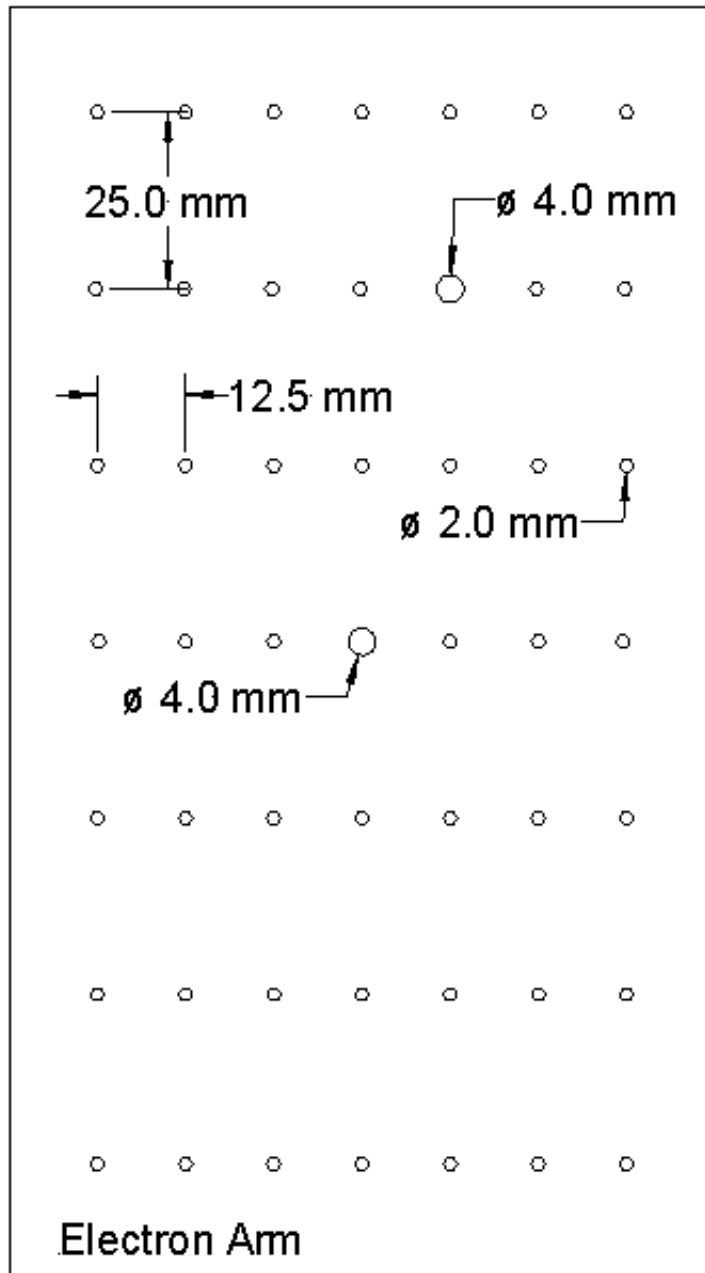


HRS Sieve Hole Pattern



Thickness = 5 mm