



GFCI Personnel Protection Devices

GFCI Accessories

Single Gang Flush Cover Wallplates — Gray Finish

MOUNTING POSITION & DESCRIPTION	CAT. NO.	FITS TYPE OF BOX
Vertical — Die-Cast Zinc	6196-V	Standard
Horizontal — Die-Cast Zinc	6196	Standard
Vertical — Die-Cast Zinc	6196-VFS	FS (Four Screws)
Horizontal — Die-Cast Zinc	6196-FS	FS (Four Screws)
Horizontal — Die-Cast Zinc	4990	Standard
Vertical — Die-Cast Zinc	4992	Standard
Horizontal — Plastic	4996	Standard
Vertical — Plastic	4998	Standard

Raintight While-In-Use Covers

DESCRIPTION	CAT. NO.	COLOR
GFCI, Vertical Mount	5977-GY	Gray
GFCI, Vertical Mount w/Extra Deep Cover	5977-DGY	Gray
GFCI, Vertical Mount	5977-CL	Clear
GFCI, Vertical Mount w/Extra Deep Cover	5977-DCL	Clear
GFCI, Horizontal Mount	5997-GY	Gray
GFCI, Horizontal Mount w/Extra Deep Cover	5997-DGY	Gray
GFCI, Horizontal Mount	5997-CL	Clear
GFCI, Horizontal Mount w/Extra Deep Cover	5997-DCL	Clear

GFCI Circuit Tester 15/20A 125V AC

DESCRIPTION	CAT. NO.
GFCI Circuit Tester	6185

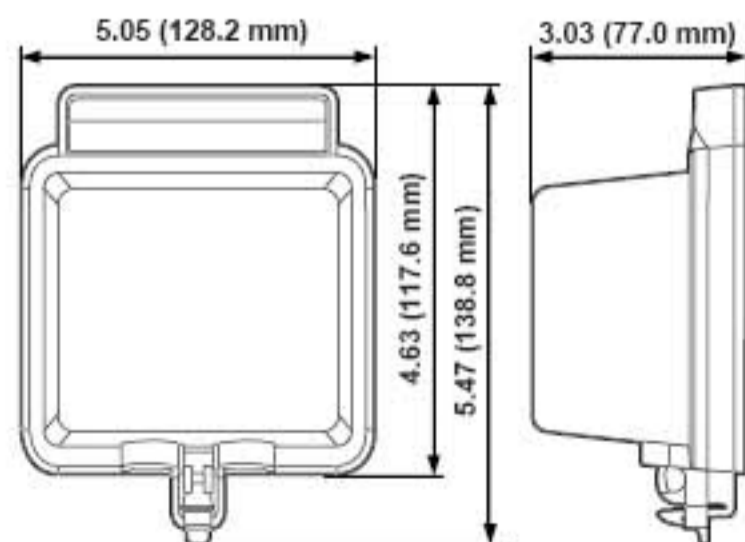
Temporary Portable Power Distribution Center/GFCI (The Box)

DESCRIPTION	CAT. NO.	INLET	OUTLET	NEMA CONFIG.
Power Distribution Box, GFCI-Protected Receptacles: (6) 20A/125V Locking, (1) 30A/250V Locking	PB101-SGF	50A, 125/250V†	50A, 125/250V†	 6: L5-20R 1:L 6-30R
Power Distribution Box, GFCI-Protected Receptacles: (6) 20A/125V Straight Blade, (1) 30A/250V Locking	PB103-SGF	50A, 125/250V†	50A, 125/250V†	 6: 5-20R 1: L6-30R

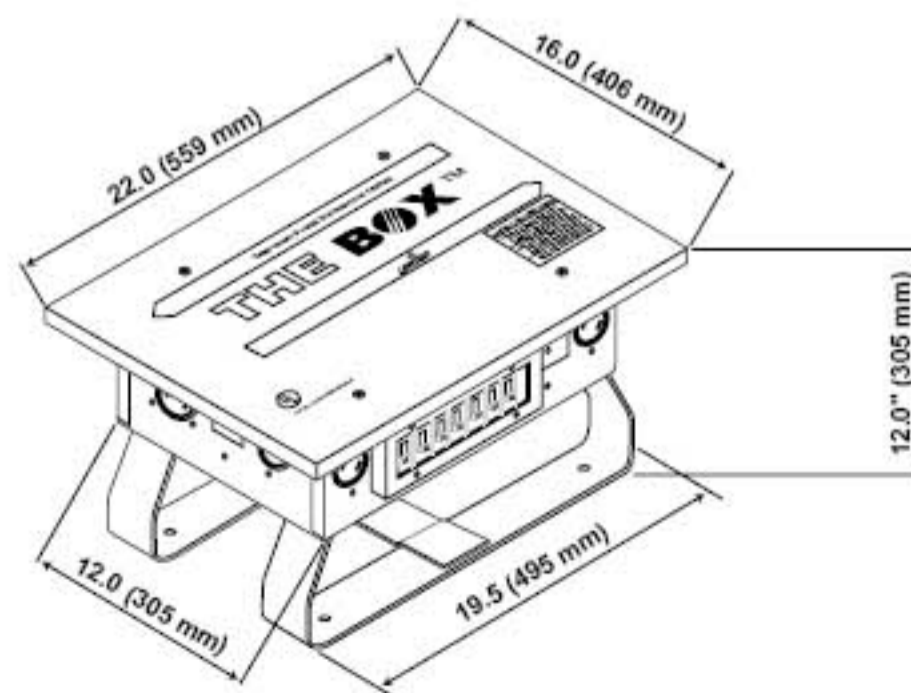
Power Cords

DESCRIPTION	CAT. NO.
50 ft. Temporary Power Cord w/Weather-Resistant 50A, 125/250 Plug & Connector	KRS-A9519
100 ft. Temporary Power Cord w/Weather-Resistant 50A, 125/250 Plug & Connector	KUS-A9519

†“California Style” CS locking devices are non-NEMA
All devices are UL Listed and CSA Certified.



RAINTIGHT WHILE-IN-USE COVER
Cat. No. 5997-CL



“THE BOX” POWER DISTRIBUTION CENTER
Cat. No. PB101-SGF



5977-CL



PB101-SGF

SPECIFICATIONS & FEATURES

- The Box**
- For temporary use in industrial & commercial maintenance & repair stations (construction, entertainment, amusement sites, trade shows, convention halls) where portable power is needed
 - Weatherproof covers prevent nuisance tripping; prevent moisture from entering contacts
 - Clear port hole panel for circuit breaker viewing
 - Reinforced metal housing & legs withstand abuse
- Power Cords**
- Flexible, abrasion-resistant construction for reliable performance to -31°F

TESTING & CODE COMPLIANCE

- Raintight covers satisfy NEC Article 410-57(b) requirements
 - Raintight covers are rated NEMA 3R
- The Box**
- Meets OSHA Regulation 20, Part 1926, Subpart K for open-neutral GFCI & circuit overload protection
 - UL Listed for outdoor use
 - Backed by a Limited One-Year Warranty
- Power Cords**
- UL Listed (File #E-48380)