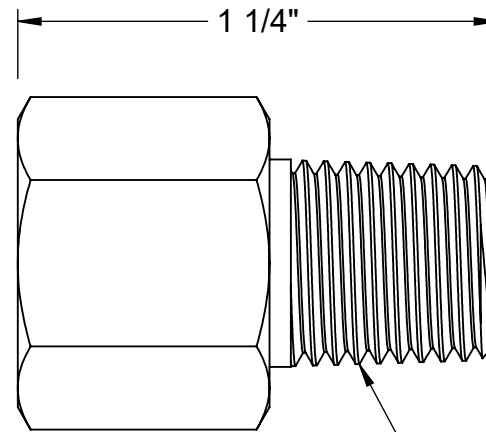


1/4 NPT Pipe Size,
18 Threads Per Inch,
0.40" Thread Engagement



1/4 NPT Pipe Size,
18 Threads Per Inch,
0.40" Thread Engagement

McMASTER-CARR 

<http://www.mcmaster.com>
© 2021 McMaster-Carr Supply Company

Information in this drawing is provided for reference only.

PART
NUMBER

2822T193

Threaded Flow Control Orifice
with 303 Stainless Steel Body