

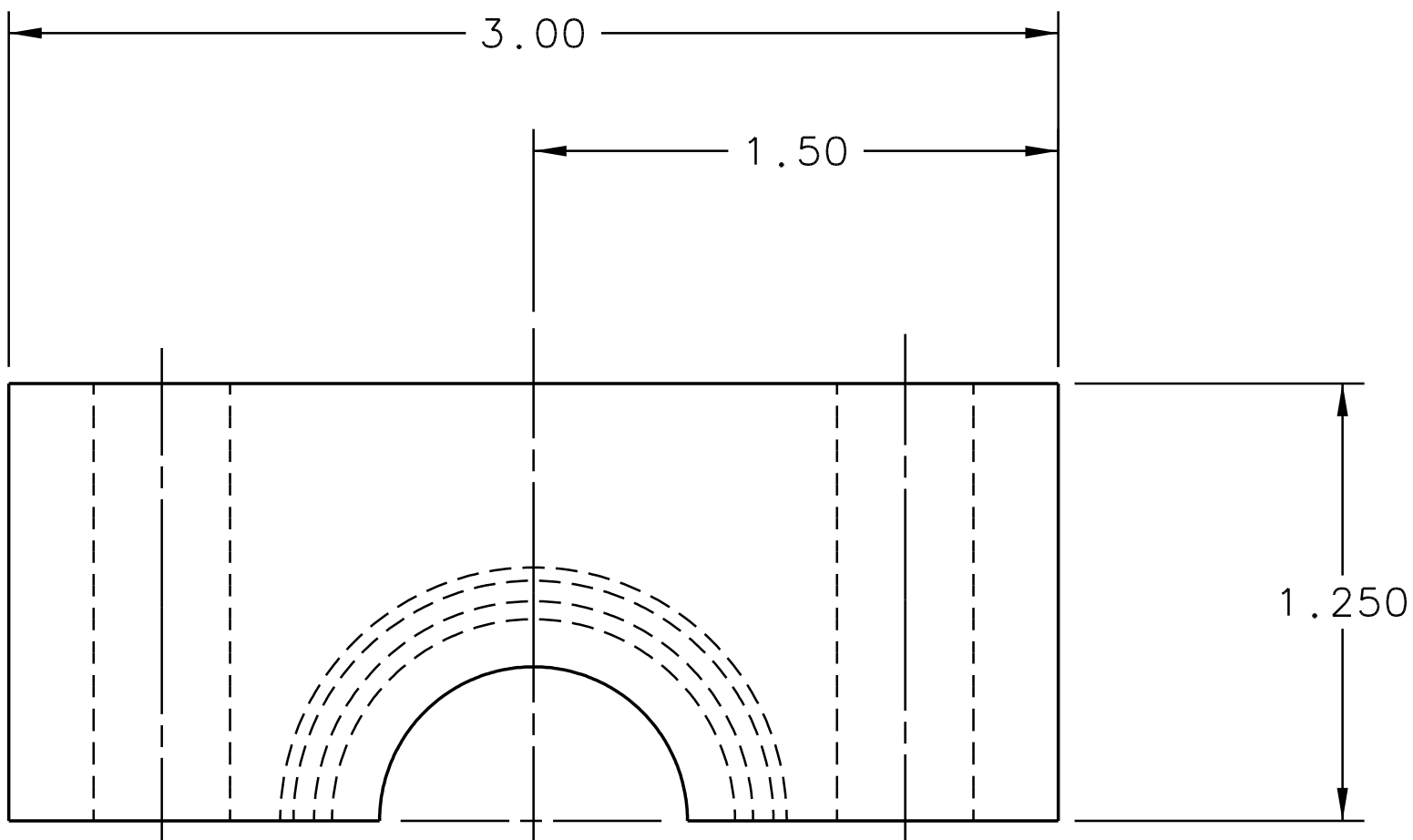
4

3

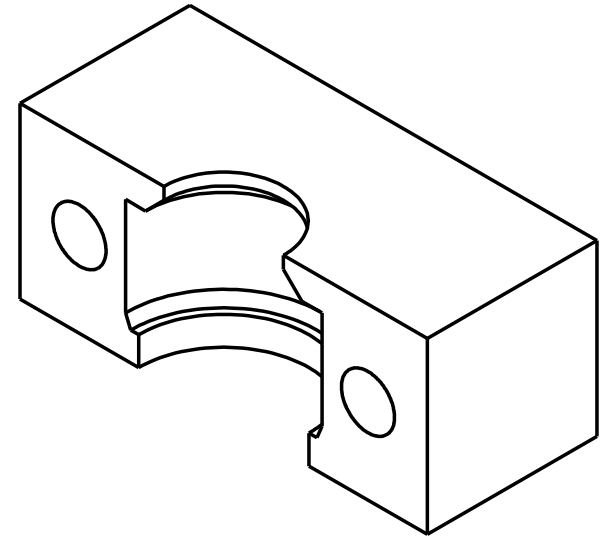
2

1

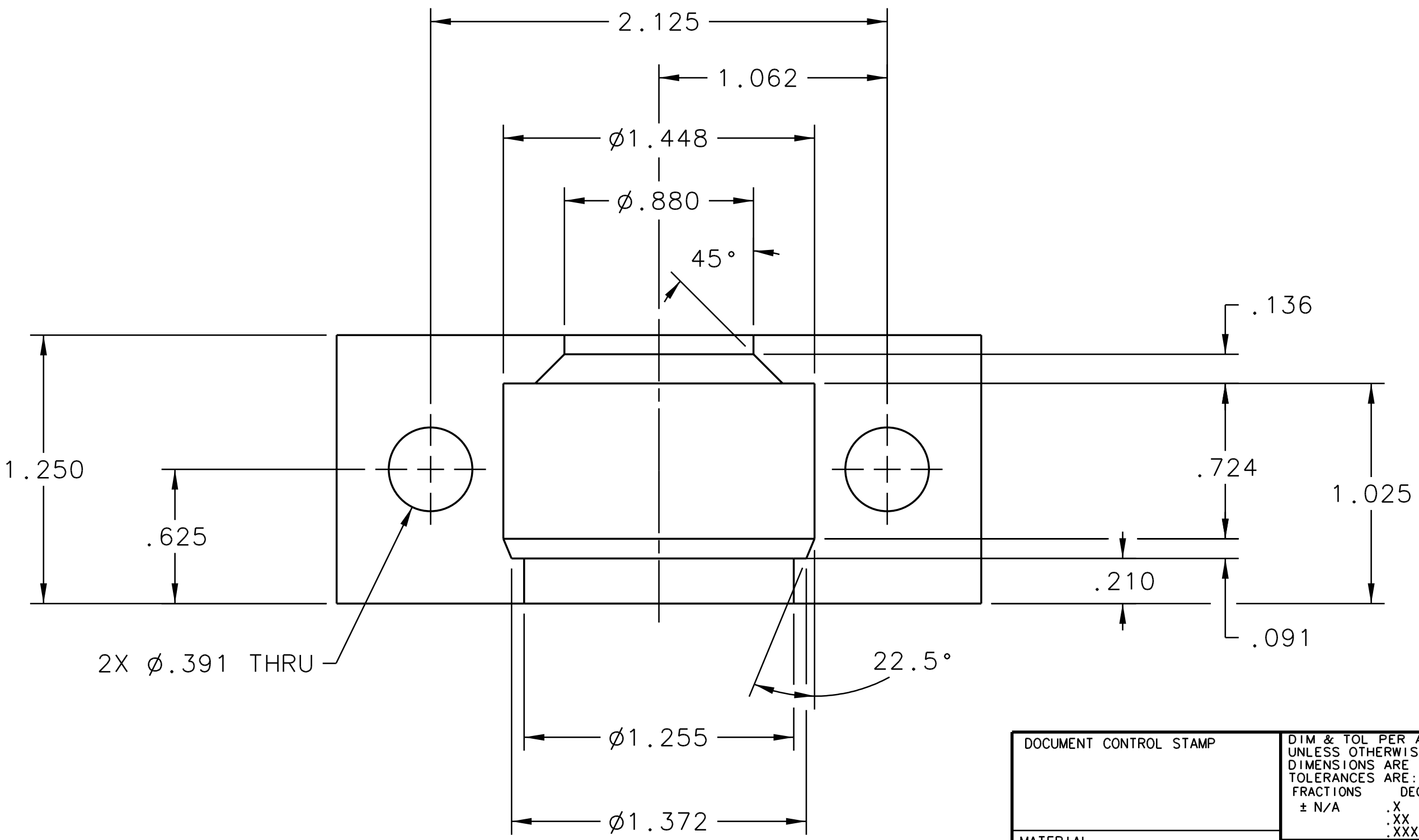
REVISION HISTORY				
ZONE	REV	DESCRIPTION	DATE	APPROVED



TOP VIEW 1-3C


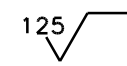
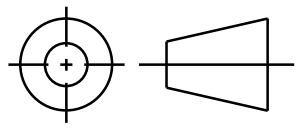


ISO VIEW 1-1C
SCALE FULL



FRONT VIEW 1-3A

NOTE:
1. QTY (2) REQUIRED PER CLAMP.

DOCUMENT CONTROL STAMP	DIM & TOL PER ASME Y14.5 - UNLESS OTHERWISE SPECIFIED DIMENSIONS ARE IN INCHES TOLERANCES ARE: FRACTIONS DECIMAL ANGLES ± N/A .X ± .1 ± .50° .XX ± .01 .XXX ± .005	TRACKING NO. N/A		United States Department of Energy  Newport News Virginia
		APPROVALS	DATE	
MATERIAL 304 STAINLESS STEEL	THIRD ANGLE PROJECTION	DRAWN J. MILLER	08JUL16	SIZE DWG. NO. C A00000-04-00-SK0001
FINISH MACHINED SURFACES UNLESS OTHERWISE NOTED 125  DEBURR & BREAK ALL SHARP EDGES		CHECKED		
DO NOT SCALE DRAWING			APPROVED	

4

3

2

1