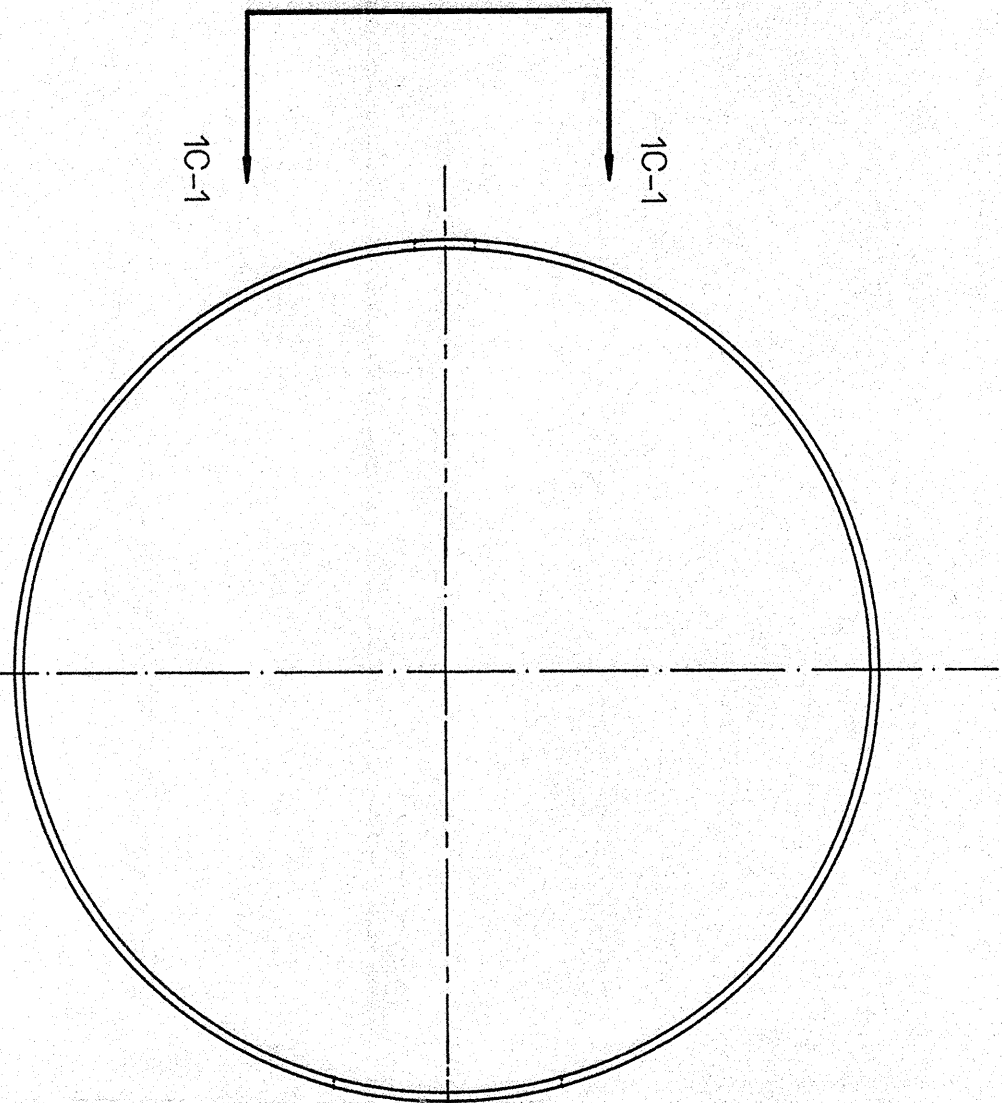
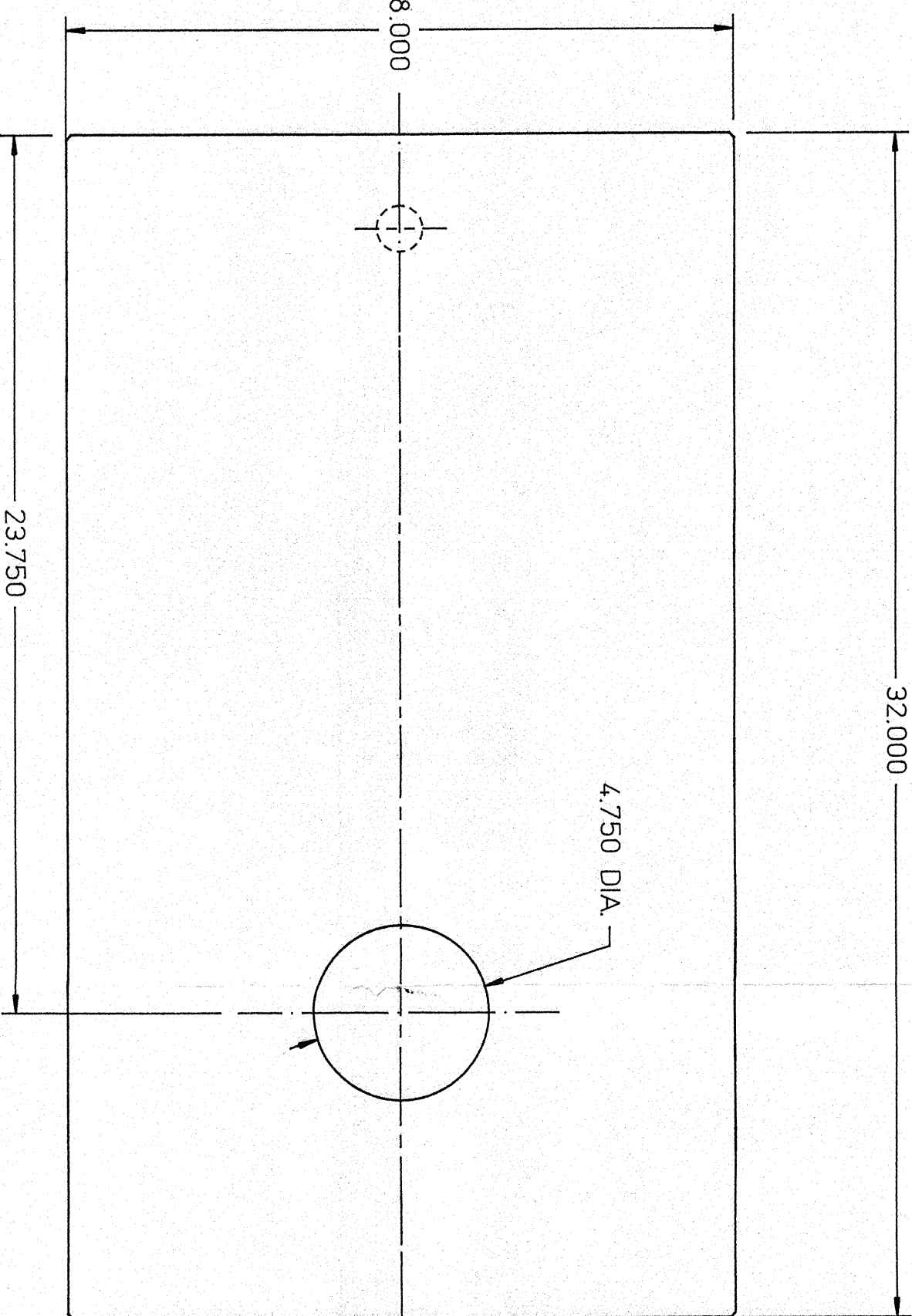


DWG. NO.	65420-C-18014-01	SHT. 1	REV. 1
REVISIONS			
ZONE	REV.	DESCRIPTION	DATE
			APPROVED

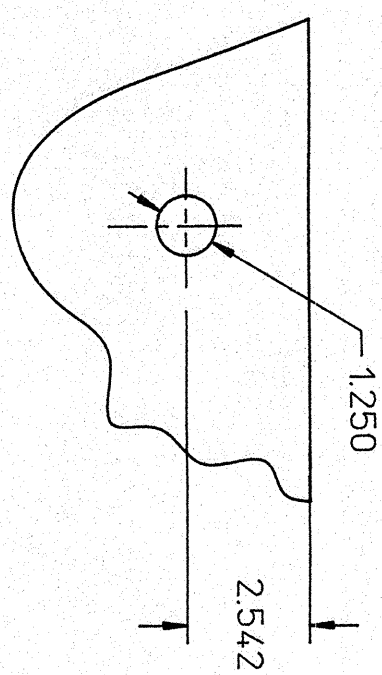


PLAN 1B-4

ESTIMATED WEIGHT - 7 1/2 lbs

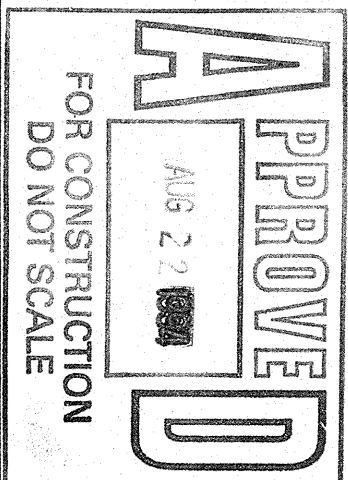


ELEVATION 1B-2



PARTIAL SECTION 1C-1

QTY	ITEM	PART OR IDENTIFYING NO.	NOMENCLATURE OR DESCRIPTION	MATERIAL SPECIFICATION	NOTES
			PARTS LIST		
			CADD I.D. NO. /MDS/6/65/654/65420 /18014.d/c01_sh1		
			APPROVALS	DATE	
			DRAWN F. RANKINS	7/26/94	
			CHECKED J. MILLER	7/26/94	
			APPROVED <i>[Signature]</i>	8/22/94	
			APPROVED <i>[Signature]</i>	8/22/94	
			APPROVED <i>[Signature]</i>	8/22/94	
			DO NOT SCALE DRAWING		
			SIZE DWG. NO. 65420-C-18014-01		
			SCALE 1:4		
			USED ON ASST. NO. 65420-D-18014-00		
			SHEET 1 OF 1		



SEBAP
The Continuous Beam Accelerator Facility
NEWPORT NEWS, VIRGINIA
UNITED STATES DEPARTMENT OF ENERGY

HALL A TEMPORARY BAYONET CAN SHELL

