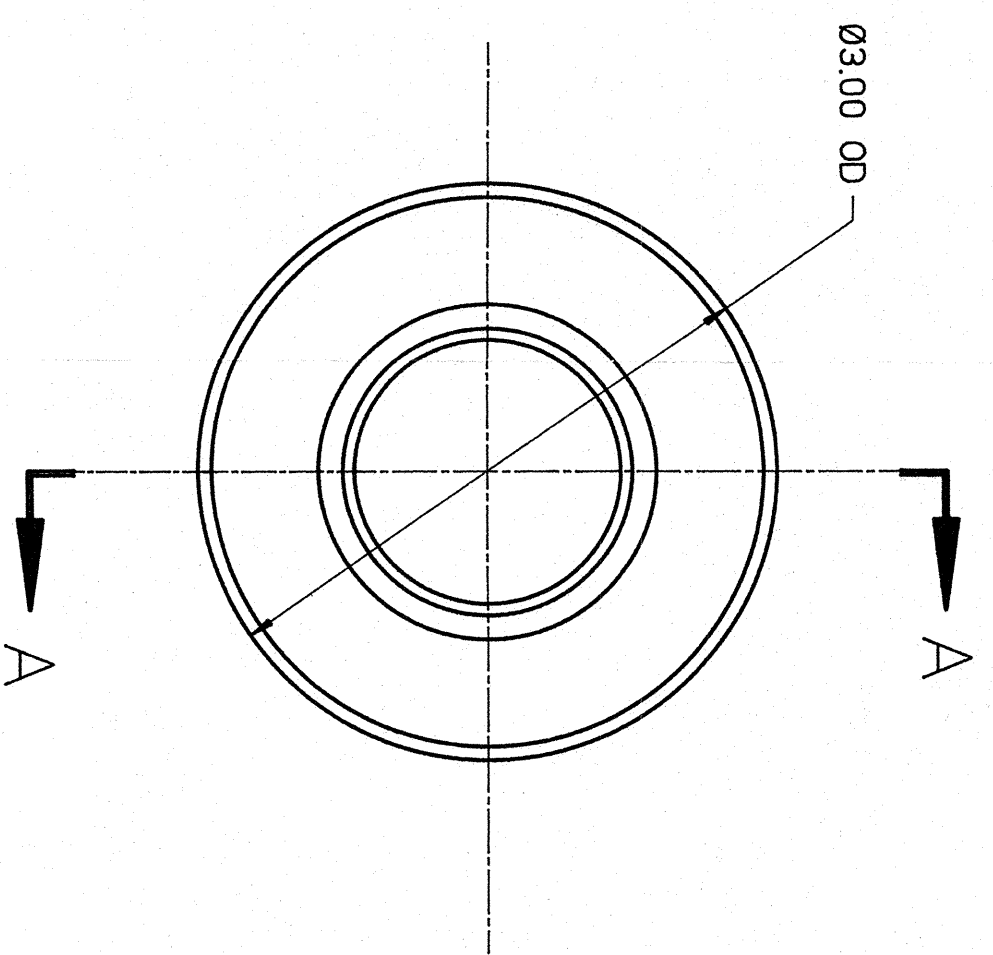
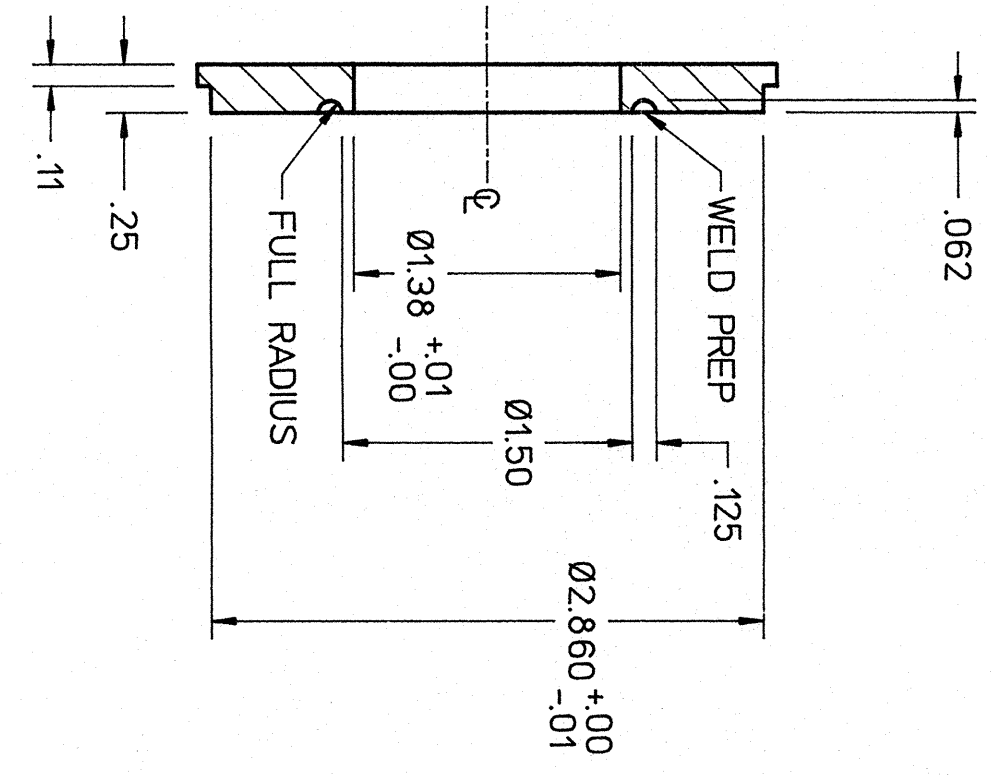


DWG. NO. 67140-B-56921 SHIT. 1 REV. -

REVISIONS		DRAWN	CHECKED
REV.	DESCRIPTION		



DIM & TOL PER ANSI Y14.5
UNLESS OTHERWISE SPECIFIED
DIMENSIONS ARE IN INCHES
TOLERANCES ARE:
FRACTIONS DECIMAL ANGLES
± .XX ± .02 ± 1/2°
XXX ± .015

MATERIAL
304 STAINLESS STEEL

FINISH UNLESS OTHERWISE NOTED
DEBURR & BREAK ALL SHARP EDGES

DO NOT SCALE DRAWING

CADD FILE PATH
/wbs/6/mjf/holl_c
/67140/b56921

APPROVALS

DRAWN
D. BREDLow

CHECKED
D. Bredlow

APPROVED
D. Bredlow

APPROVED FOR CONSTRUCTION

DATE

4-30-93

5-20-93

5-20-88

5-20-93

CEBAF
The Continuous Electron Beam Accelerator Facility
NEWPORT NEWS VIRGINIA
UNITED STATES DEPARTMENT OF ENERGY

HALL C
FOR 1 1/2" BAYONET
3" FLANGE

SIZE DWG. NO. 67140-B-56921

SCALE 1:1 USED ON ASSY NO. VAR SHEET 1 OF 1