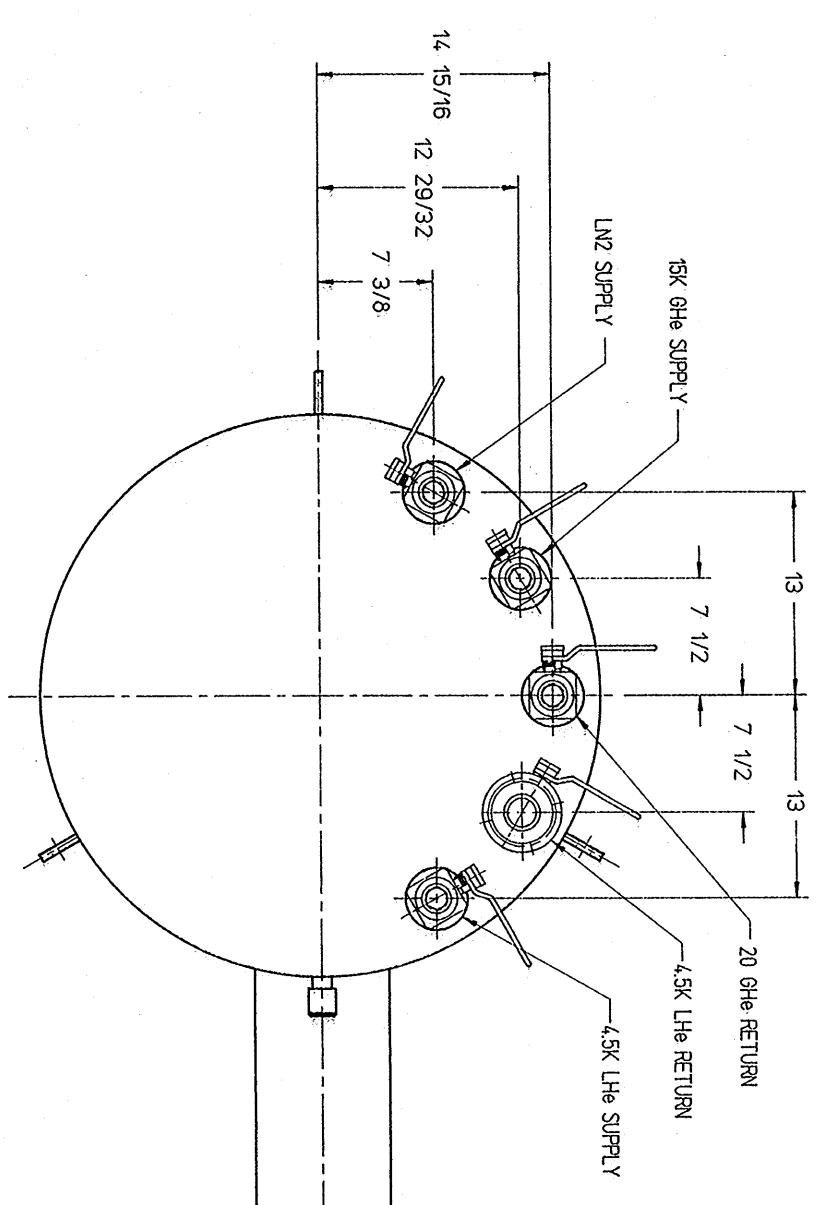
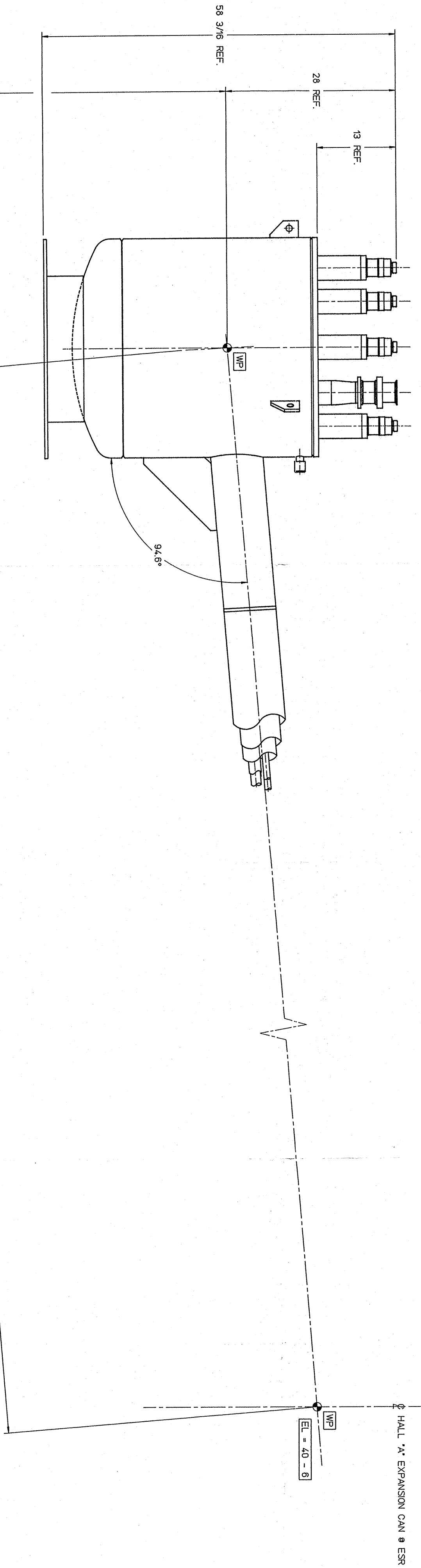


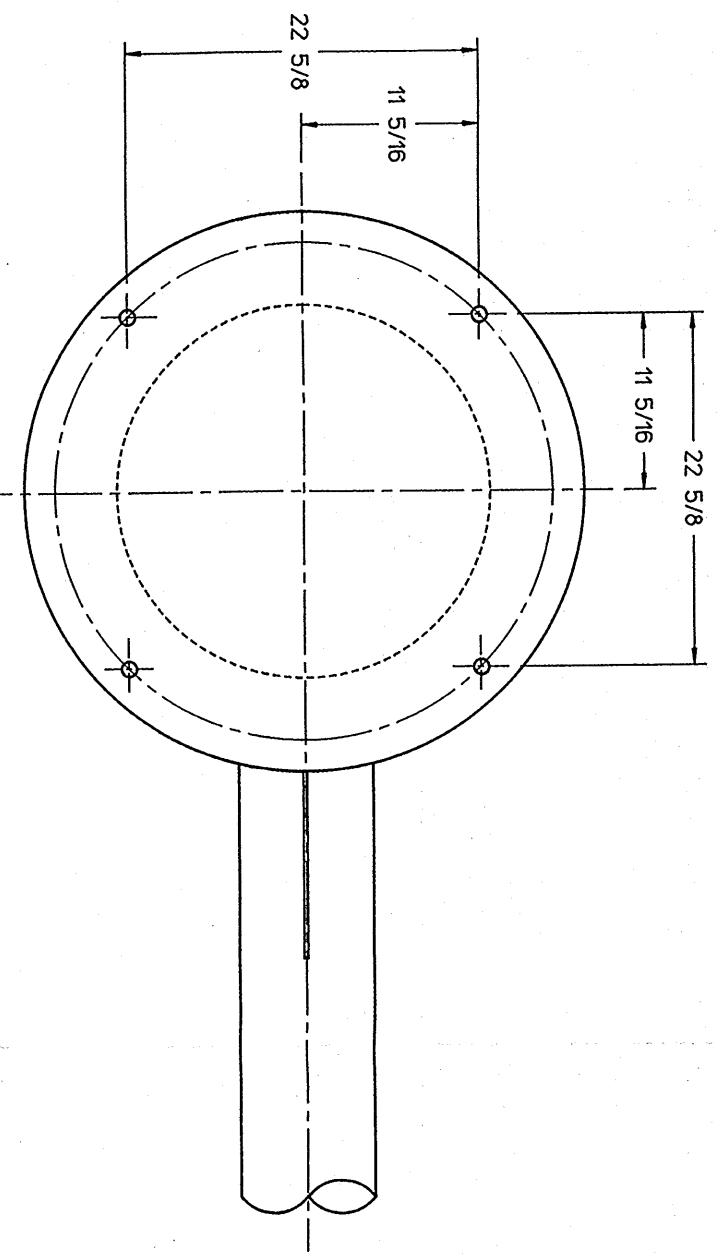
ZONE	REV.	DESCRIPTION	DATE	APPROVED



FOR CONTINUATION
SEE DWG 74300-E-0003
& SHEET 2



EU = 34 - 2
REF.



FOR INFORMATION ONLY

HALL 'A' ORIENTATION
BAYONET APPROVED BY _____

DATE _____

DRAWN @ 300K

PREPARED BY: [Signature] CHECKED BY: [Signature] DRAWN BY: [Signature] DATE: 7/1/92	CAD Dwg. NO.: 74400-E-0050 HALL 'A' BAYONET CAN (ANCHOR)
APPROVED BY: [Signature] DATE: 7/1/92	SHEET NO.: 1 OF 2 DWG. NO.: 74400-E-0050