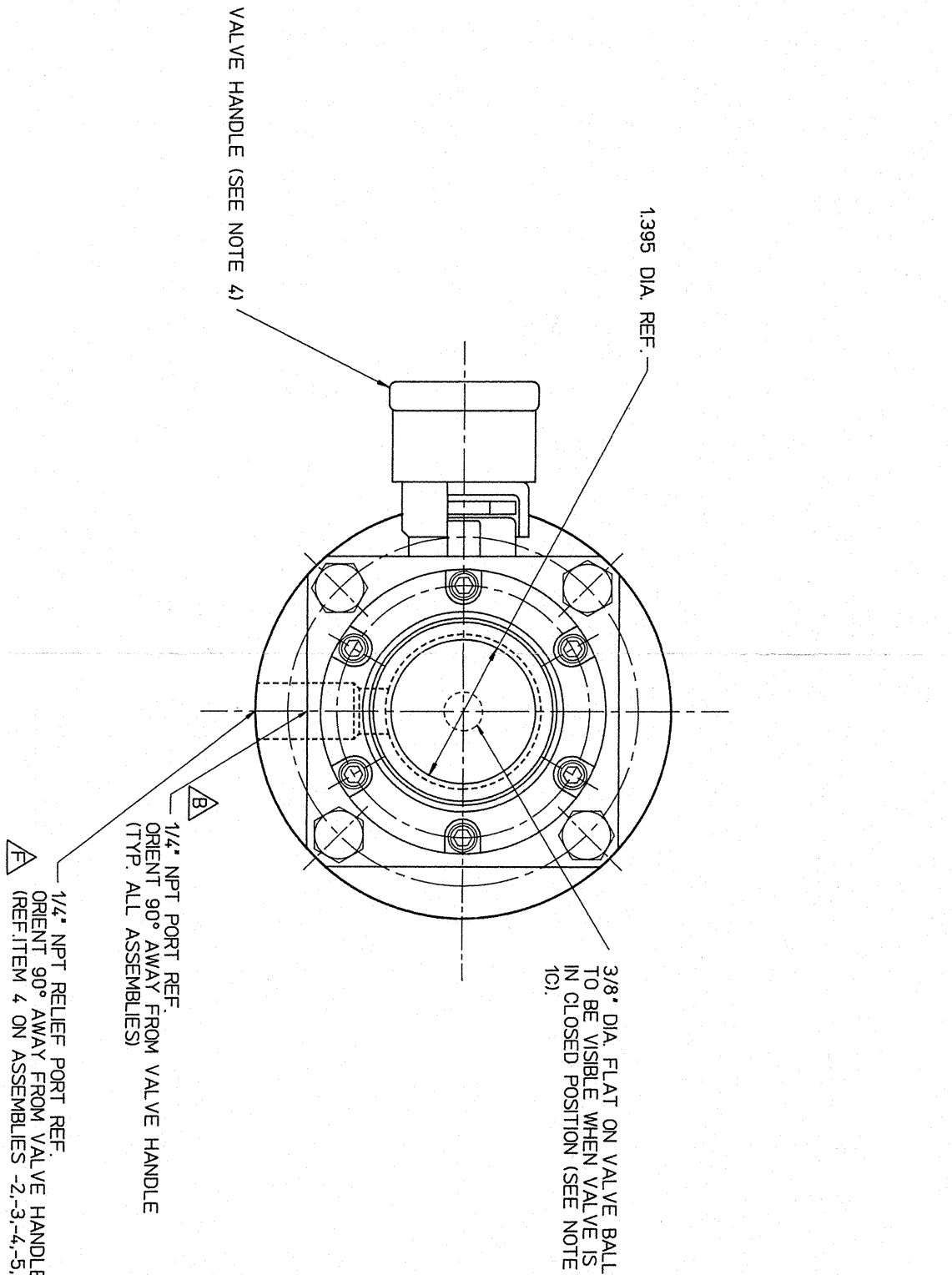
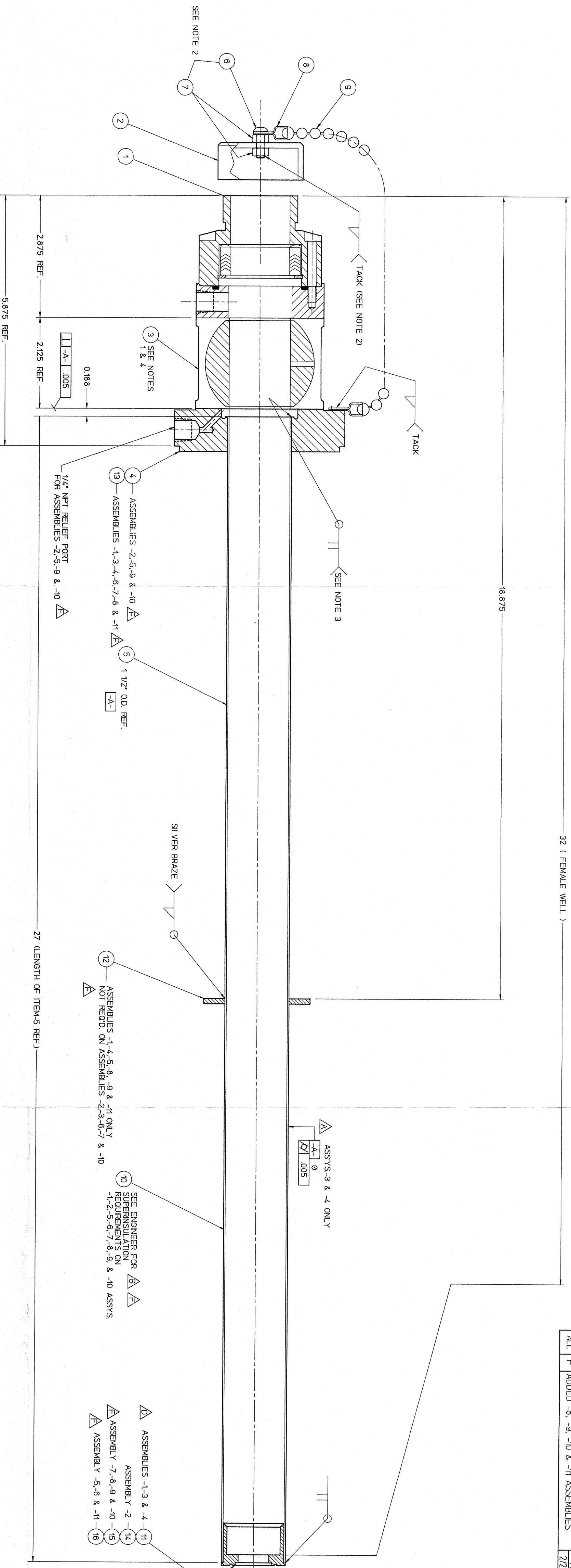


ZONE	REV	DESCRIPTION	BY	APPROVED
ALL	A	ADDED ASSEMBLIES -3 & -4 (END CAPS)	MWZ	R. BROWN
ALL	B	ADDED ASSY-5,6 & 7 (CHD DRG. M.I.T. #1 & 5)	MWZ	R. BROWN
ALL	C	WAS MW-50772 & 8 -0 ADDED ITEM 6	3/5/90	D. KASHY
C3	C	ASSY-3 (HBD. QUAN ITEM 11 WAS 01 ITEM 15 WAS 1)	7/12/90	D. KASHY
D/E-1	D	ADDED-3 ASSY 10 ITEM 41 DELETED-3 ASSY FROM ITEM 5	10/22/90	D. KASHY
D/E-5	E	ASSY-3 ITEM 9 WAS ITEM 41. ASSY-4 ITEM 7 WAS ITEM 4	4/8/91	D. KASHY
D/E-5	E	ASSY-3 ITEM 9 WAS ITEM 41. ASSY-4 ITEM 7 WAS ITEM 4	4/8/91	D. KASHY
ALL	F	ADDED -8, -9, -10 & -11 ASSEMBLIES	2/24/92	D. KASHY



QTY	DESCRIPTION	UNIT	QTY	DESCRIPTION	UNIT	QTY	DESCRIPTION	UNIT	QTY	DESCRIPTION	UNIT	QTY	DESCRIPTION	UNIT	QTY	DESCRIPTION	UNIT	QTY	DESCRIPTION	UNIT						
1	ESR VALVE BOX		1	ESR VALVE BOX LN2		1	ESR VALVE BOX		1	ESR/HALL BAY CAN		1	SHIELD RTL A-BOX		1	SHIELD RTL E-BOX		1	ZK NW END BOX		1	P.E.C. ZK SUPP.		1	P.E.C. SHIELD	
1	1113-B-0124	1 1/2\"/>																								

- NOTES:
- BALL VALVE MODIFICATIONS AS FOLLOWS:
    - REMOVE (2) END FLANGERS & (4) VALVE BODY 5/16-18 NUTS FROM VALVE ASSEMBLY
    - THIS ASSEMBLY BODY 5/16-18 X 3 7/8\"/>
  - POSITION NUTS (ITEM 7) ON SCREW (ITEM 8) SO THAT END COUPLING SCREW (ITEM 6) & TIGHTEN OUTER NUT (ITEM 7) TO SECURE SCREW.
  - VACUUM TEST: NO LEAK DETECTABLE ON THE MOST SENSITIVE SCALE OF A HELIUM LEAK DETECTOR W/ A MINIMUM SENSITIVITY OF 10<sup>-9</sup> cc/sec.
  - INSTALL W/ MALE BAYONET INSERTED TO ASSURE PROPER ALIGNMENT. ORIENT HANDLES 90° AWAY FROM 1/2\"/>