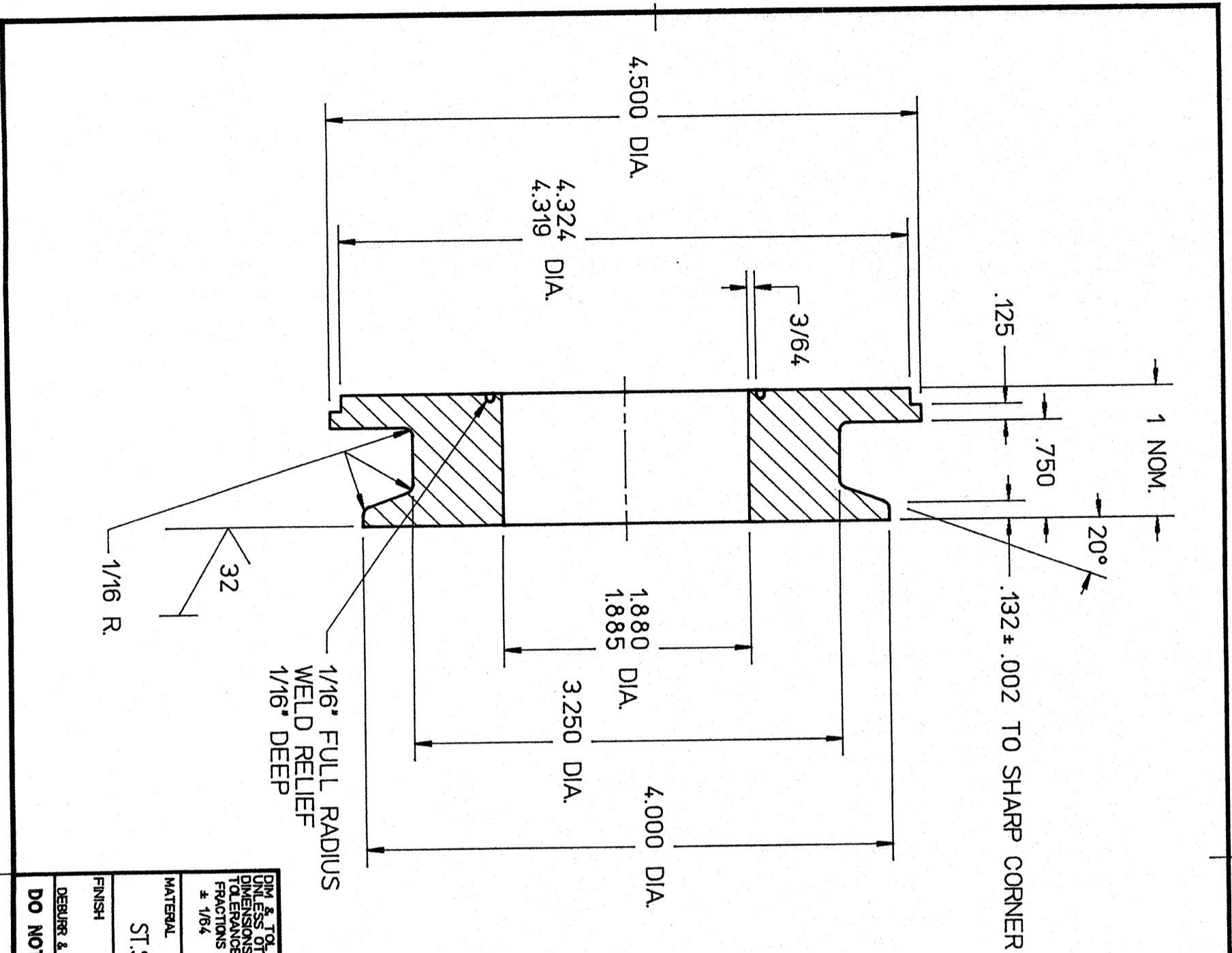


75600B0185



DWG. NO.	75600-B-0185	SHT.	REV.
REVISIONS			
ZONE	REV.	DATE	APPROVED

DIM & TOL PER ANSI Y14.5 UNLESS OTHERWISE SPECIFIED DIMENSIONS ARE IN INCHES FRACTIONS DECIMAL ANGLES $\pm 1/64$ $\pm .005$ $\pm 1^\circ$		CADD I.D. NO. /wbs(57)wbs_7/wbs_7_5/75600/B0185		GEBAF The Continuous Electron Beam Accelerator Facility UNITED STATES DEPARTMENT OF ENERGY	
MATERIAL	ST. STL. TYPE 304	DRAWN	M. ZARECKY	DATE	12/18/89
FINISH	125 UNLESS OTHERWISE NOTED	CHECKED	<i>DAE</i>	DATE	1/31/90
DEBURR & BREAK ALL SHARP EDGES		APPROVED/ORIGINATOR	<i>DAE</i>	DATE	1/31/90
DO NOT SCALE DRAWING		APPROVED	<i>DAE</i>	DATE	1/31/90
U-TUBE FLANGE, 2" MALE BAYONET (4" IPS SCH-5 JACKET)		SIZE	DWG. NO.	75600-B-0185	REV.
		SCALE	FULL	USED ON ASSY NO. 75300-E-0029	SHEET / OF /