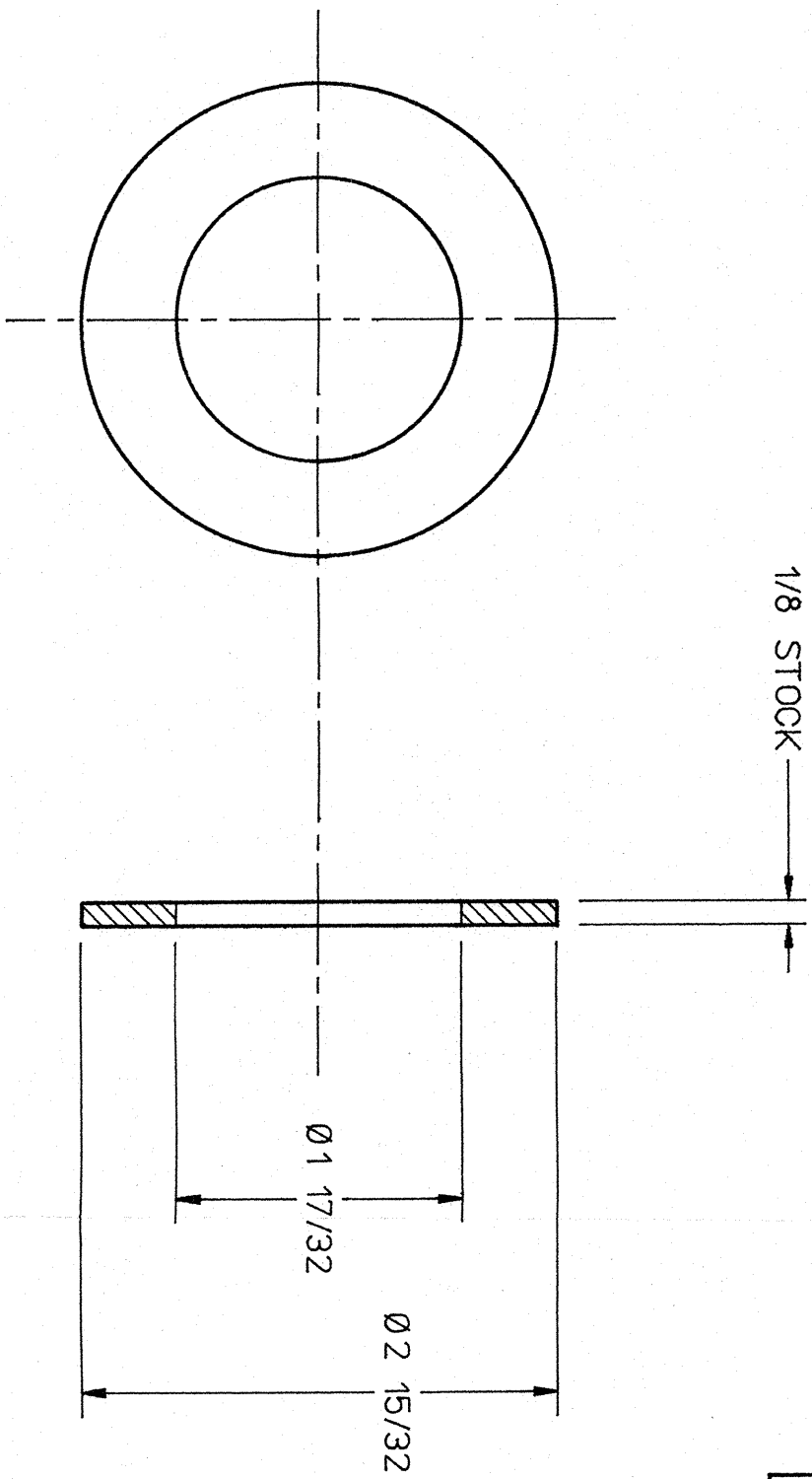


75600B0099



REVISIONS				
ZONE	REV.	DESCRIPTION	BY	APPROVED
ALL	A	CHANGED DIA DIMS TO FRACTIONS 1 17/32 (WAS 1.505/510), 2 15/32 (WAS 2.490/485)	MRZ	R/S 4/24/89
			4/24/89	DAE 4/24/89

DWG. NO. 75600-B-0099      SHT.      REV. A

QTY REQD	ITEM NO.	PART OR IDENTIFYING NO.	NAME OR DESCRIPTION	MATERIAL SPECIFICATION	NOTES
PARTS LIST					
DIM & TOL PER ANSI Y14.5 UNLESS OTHERWISE SPECIFIED DIMENSIONS ARE IN INCHES TOLERANCES ARE: FRACTIONS DECIMAL ANGLES ± 1/64 .XXX ± #		CADD I.D. NO.		SIGNATURE	
MATERIAL COPPER, OFHC		APPROVALS	DATE	HEAT INTERCEPT TAB (2.5 O.D. X 1.5 I.D.) 1 1/2" BAYONET	
FINISH DEBURR & BREAK ALL SHARP EDGES		DRAWN R BROWN	1/6/89	The Continuous Electron Beam Accelerator Facility NEWPORT NEWS, VIRGINIA UNITED STATES DEPARTMENT OF ENERGY	
UNLESS OTHERWISE NOTED		CHECKED M. ZARECKY	1/9/89	SIZE DWG. NO. 75600-B-0099	
DO NOT SCALE DRAWING		APPROVED <i>[Signature]</i>	4/21/89	SCALE FULL	
		APPROVED/ORIGINATOR <i>[Signature]</i>	4/29/89	USED ON ASSY NO 75300-E-0027 SHEET 1 OF 1	