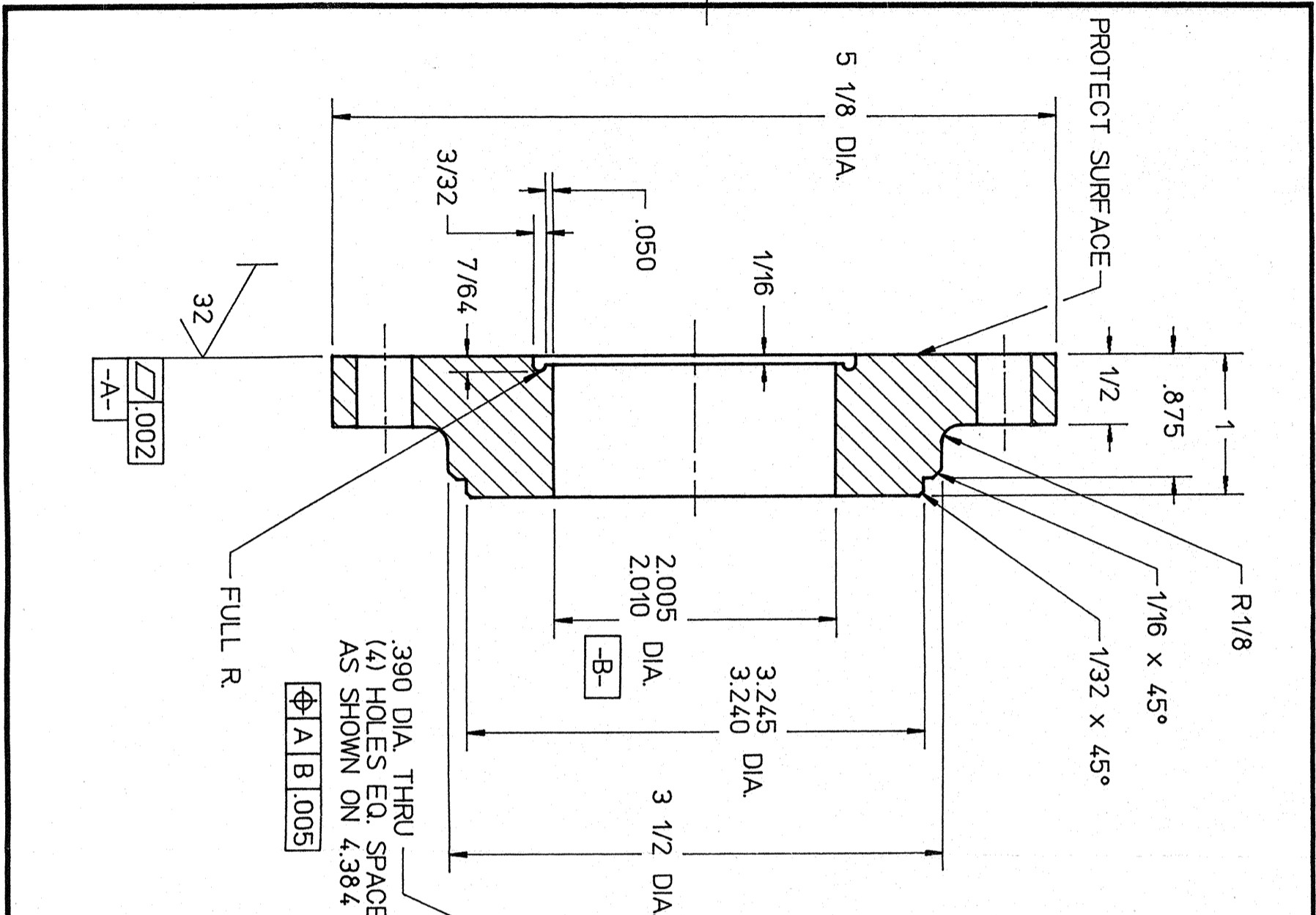


DRAWING NUMBER
75600B0169

PLANNING CORPORATION • IRVINE, CALIFORNIA

REORDER BY NUMBER 075600



.390 DIA. THRU
(4) HOLES EQ. SPACED
AS SHOWN ON 4.384 DIA.B.C.

Φ A B .005

NOTES:
1) THIS DWG. IS IDENTICAL TO FERMI DWG. 1650-MB-16846 & CERAF DWG. 1MB-50371 RENUMBERED FOR CAD FILE



DWG. NO. 75600-B-0169

REVISIONS		DATE	APPROVED
ZONE	REV.		

DIM & TOL PER ANSI Y14.5 UNLESS OTHERWISE SPECIFIED DIMENSIONS ARE IN INCHES FRACTIONS ARE DECIMAL ANGLES ± 1/64 XX ± .005 ±		CADD I.D. NO. WDS1579/WDS_7/WDS_7_575600/B0169		APPROVALS DRAWN M. ZARECKY CHECKED R. Brown APPROVED/ORIGINATOR [Signature] APPROVED [Signature]		DATE 12/14/89 1/29/90 1/31/90	
MATERIAL ST. ST., TYPE 304		FINISH 125 UNLESS OTHERWISE NOTED DEBURR & BREAK ALL SHARP EDGES		DO NOT SCALE DRAWING		SIZE DWG. NO. 75600-B-0169	
CERAF The Continuous Electron Beam Accelerator Facility NEWPORT NEWS, VIRGINIA UNITED STATES DEPARTMENT OF ENERGY				2" VALVE SUPPORT FLANGE 2" FEMALE BAYONET ASSEMBLY (3" IPS SCH-5 JACKET)			
SCALE FULL		SHEET 1 OF 1		USED ON ASSY NO. 75300-E-0028			