

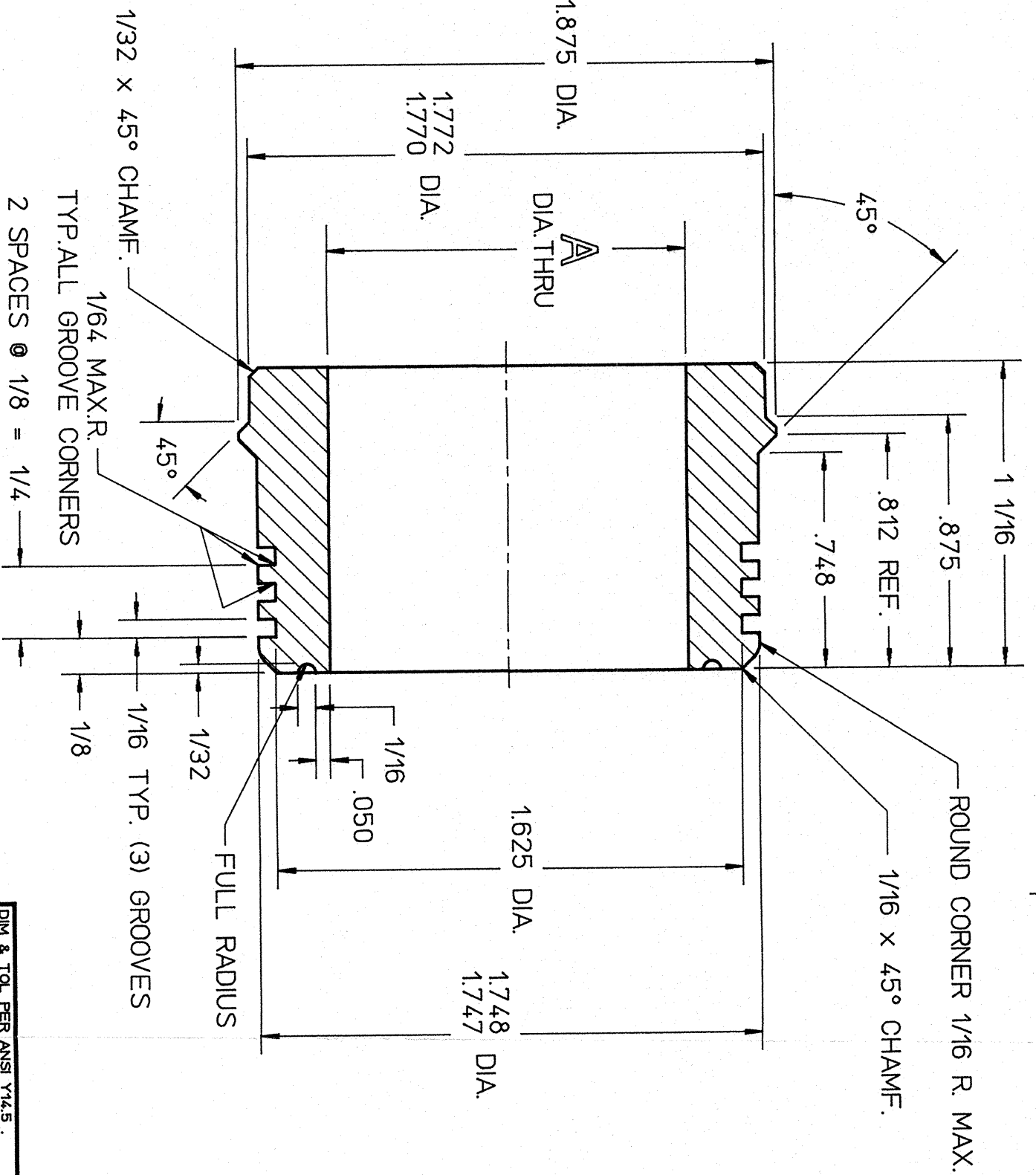
DRAWING NUMBER

**75600-0215**

PLAN HOLD CORPORATION • IRVINE, CALIFORNIA

REGISTERED BY NUMBER 0754P

PROTECTIVE FILM ON THIS DRAWING



DWG. NO.

75600-B-0215

SHT.

REV.

REVISIONS		BY	APPROVED
ZONE	REV.		

ITEM NUMBER	A DIM.
75600-B-0215-1	1.255 - 1.257
75600-B-0215-2	1.380 - 1.382
75600-B-0215-3	1.060 - 1.070
75600-B-0215-4	1.325 - 1.335

**GEBAFF**  
The Continous Newport News Virginia Department of Energy  
Electron Beam Accelerator Facility

**MALE LABYRINTH END, 2" MALE BAYONET**  
(FOR 1 7/8 X .049" W. OUTER TUBE)

75600-B-0215

USED ON ASSY NO. 75300-E-0109 SHEET 1 OF 1

ITEM NO.	75600-B-0215
DATE	6/25/90
DRAWN	M. ZARECKY
CHECKED	<i>[Signature]</i>
APPROVED/ORIGINATOR	<i>[Signature]</i>
APPROVED	<i>[Signature]</i>
DATE	7/12/90

FINISH 125 UNLESS OTHERWISE NOTED  
DEBURR & BREAK ALL SHARP EDGES

DO NOT SCALE DRAWING

DIM. & TOL. PER ANSI Y14.5  
UNLESS OTHERWISE SPECIFIED  
DIMENSIONS ARE IN INCHES  
TOLERANCES ARE:  
FRACTIONS DECIMAL ANGLES  
± 1/64 .XXX ± .005 ± 2°

MATERIAL  
ST. STL. TYPE 304

1.875 DIA.  
1.772 DIA.  
1.770 DIA.  
1.625 DIA.  
1.748 DIA.  
1.747 DIA.

1 1/16  
.875  
.812 REF.  
.748  
1/16  
1/16  
1/32  
1/8

1/32 x 45° CHAMF.  
1/64 MAX. R.  
TYP. ALL GROOVE CORNERS  
2 SPACES @ 1/8 = 1/4

45°  
45°  
FULL RADIUS  
1/16 TYP. (3) GROOVES  
1/8

ROUND CORNER 1/16 R. MAX.  
1/16 x 45° CHAMF.