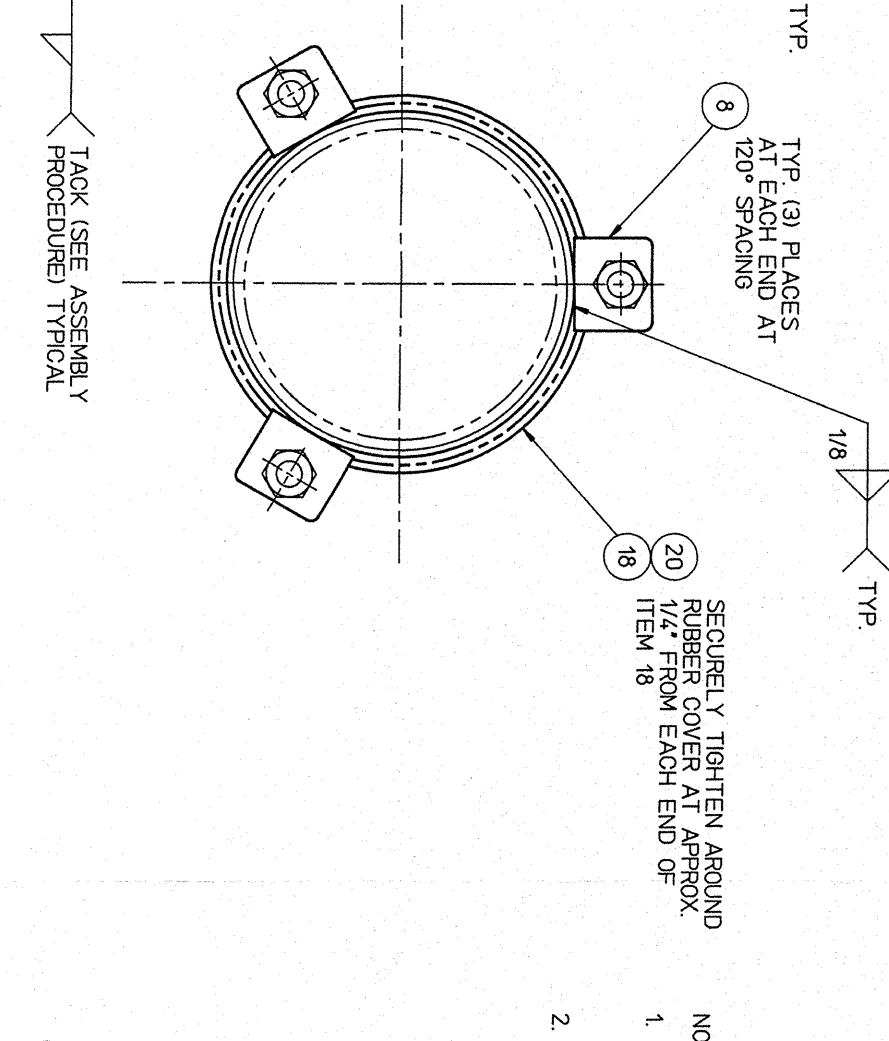
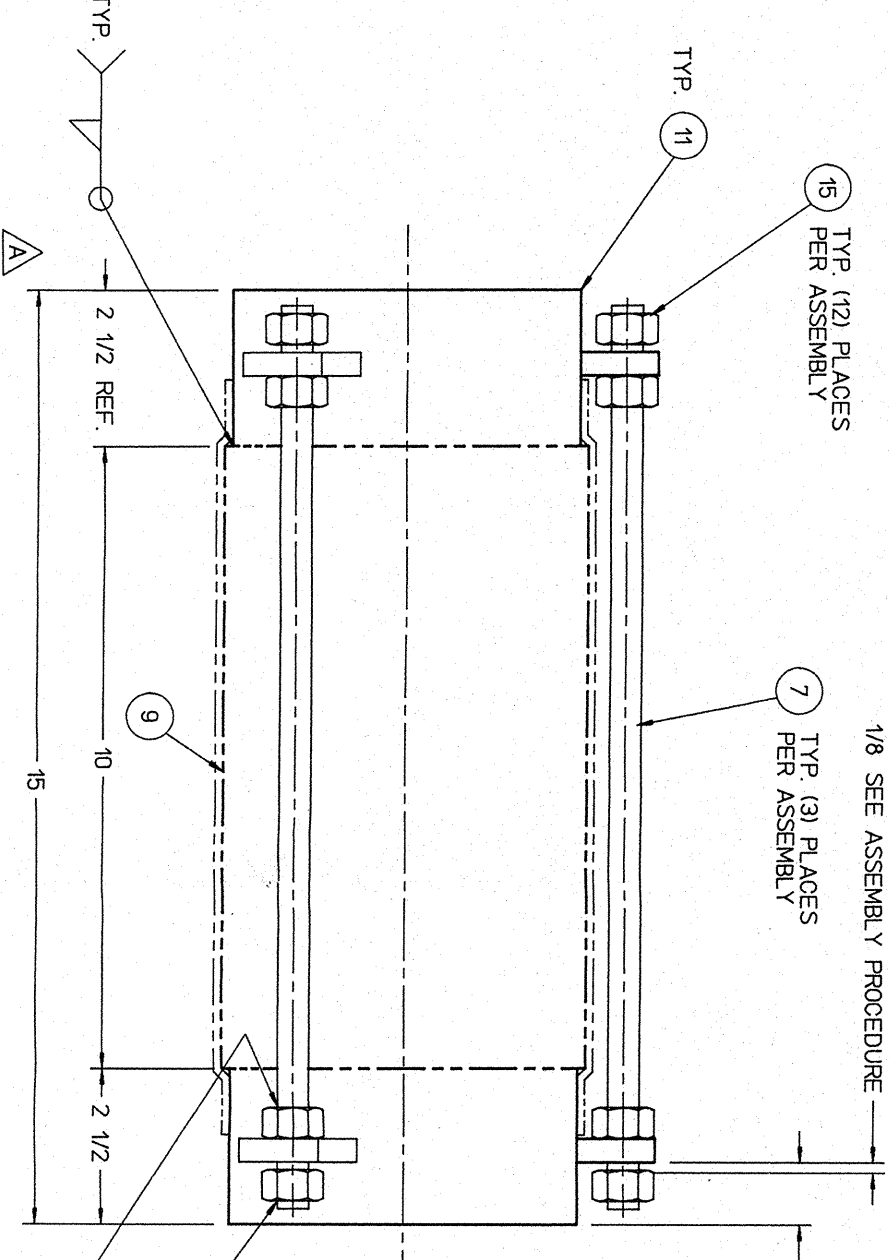
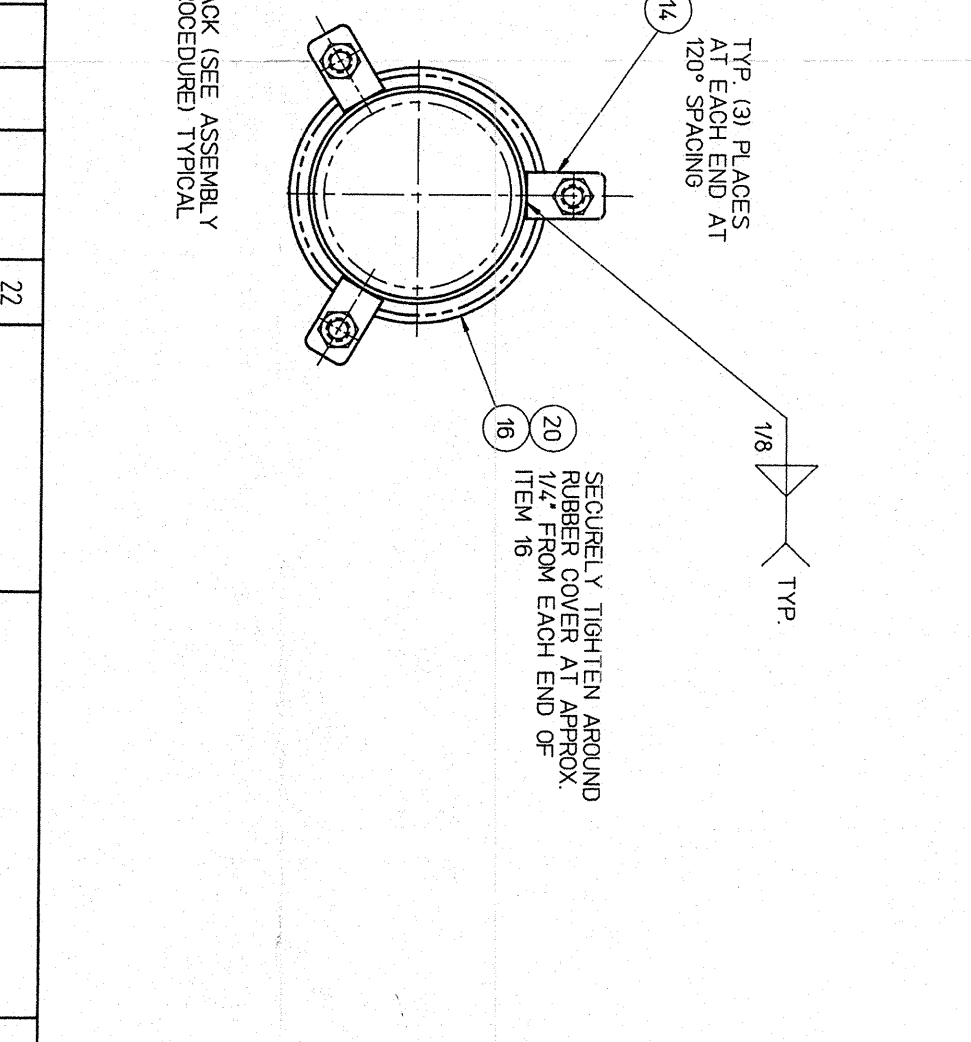
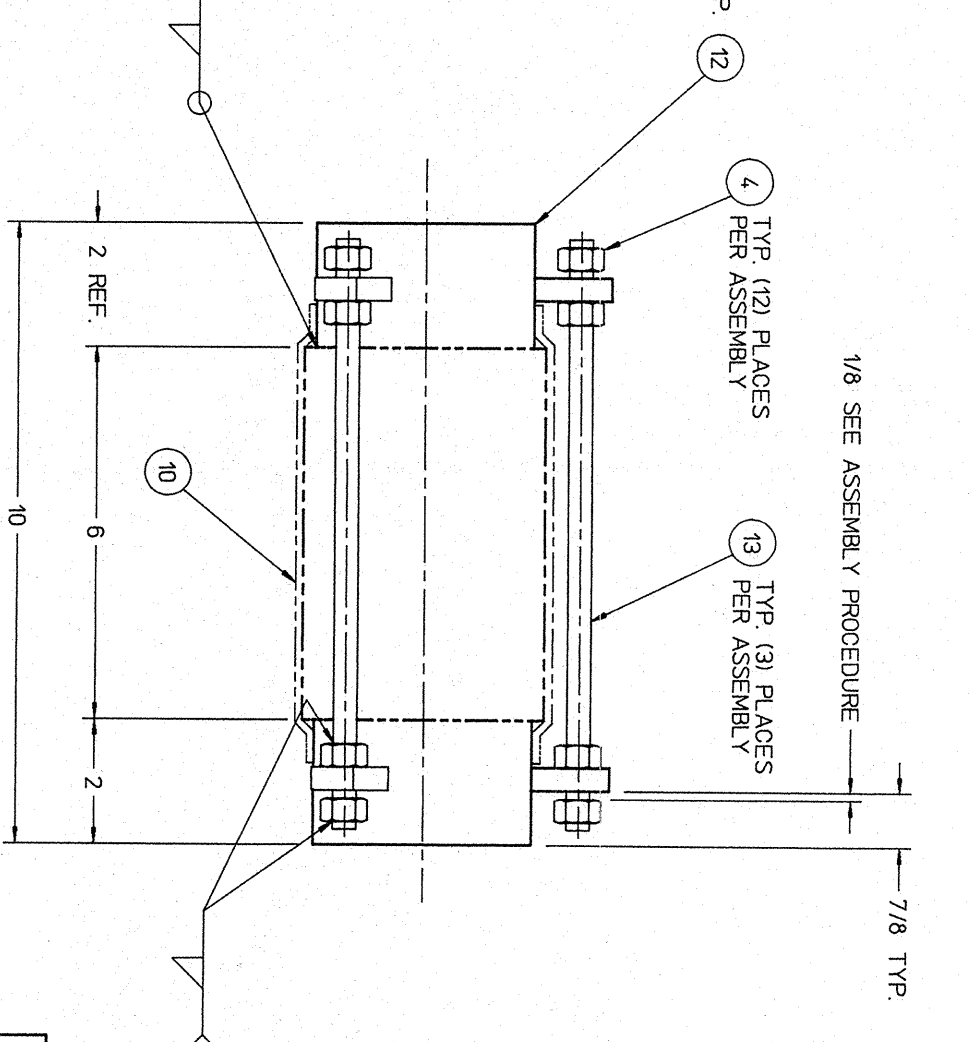
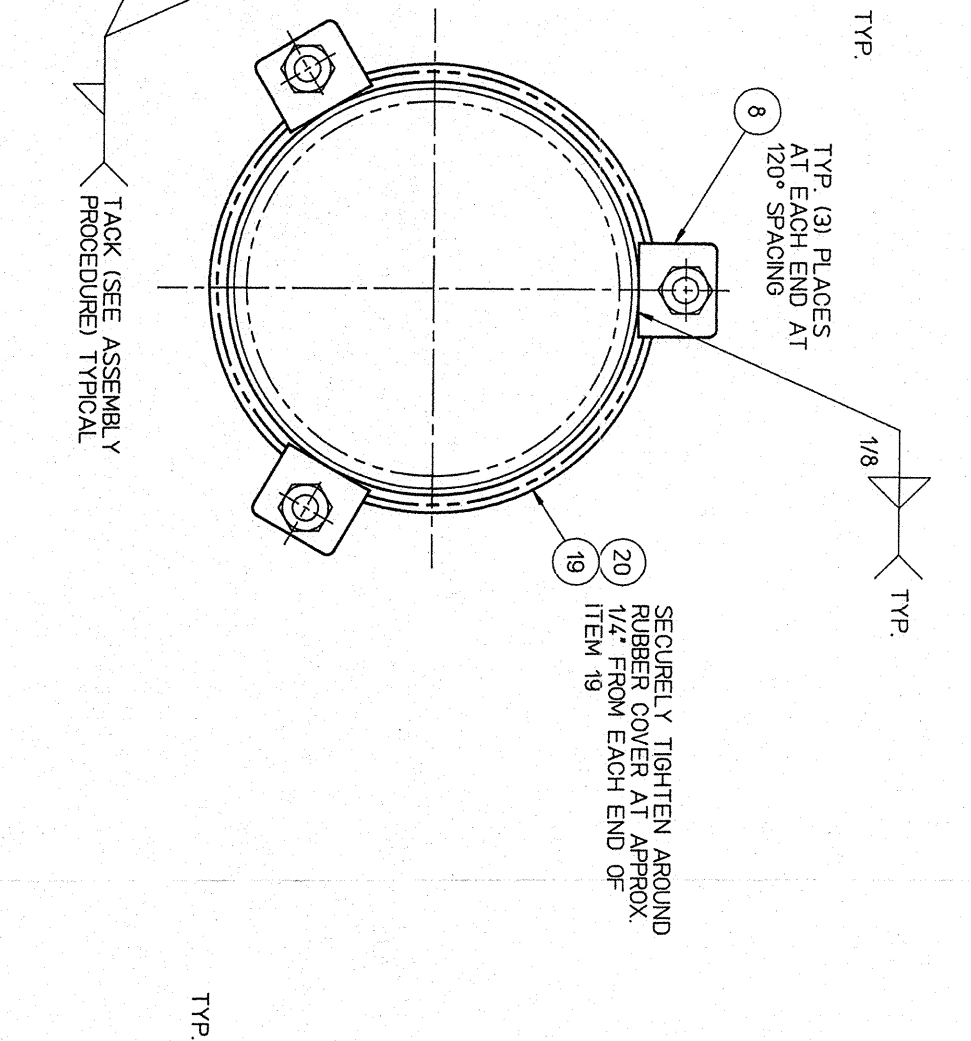
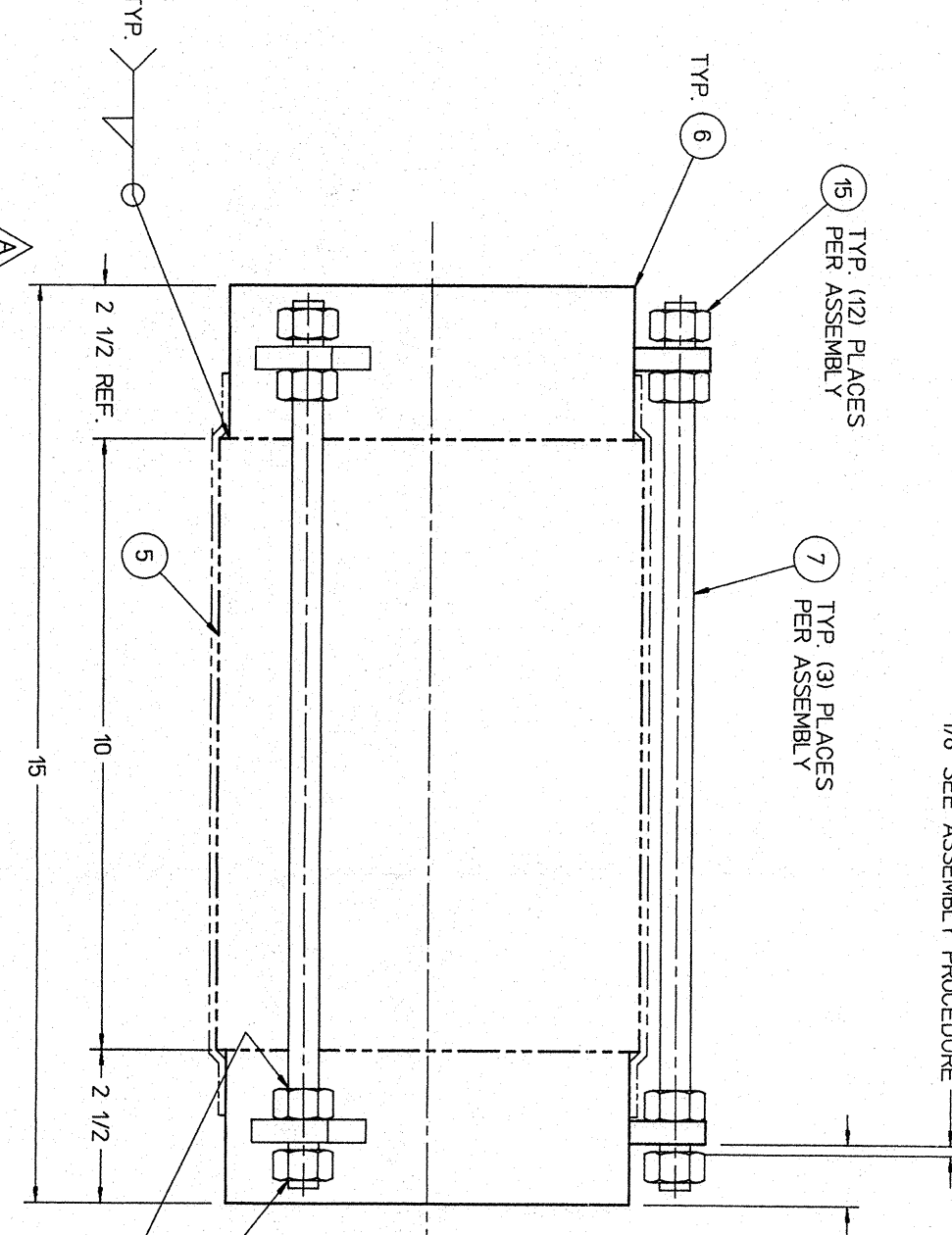
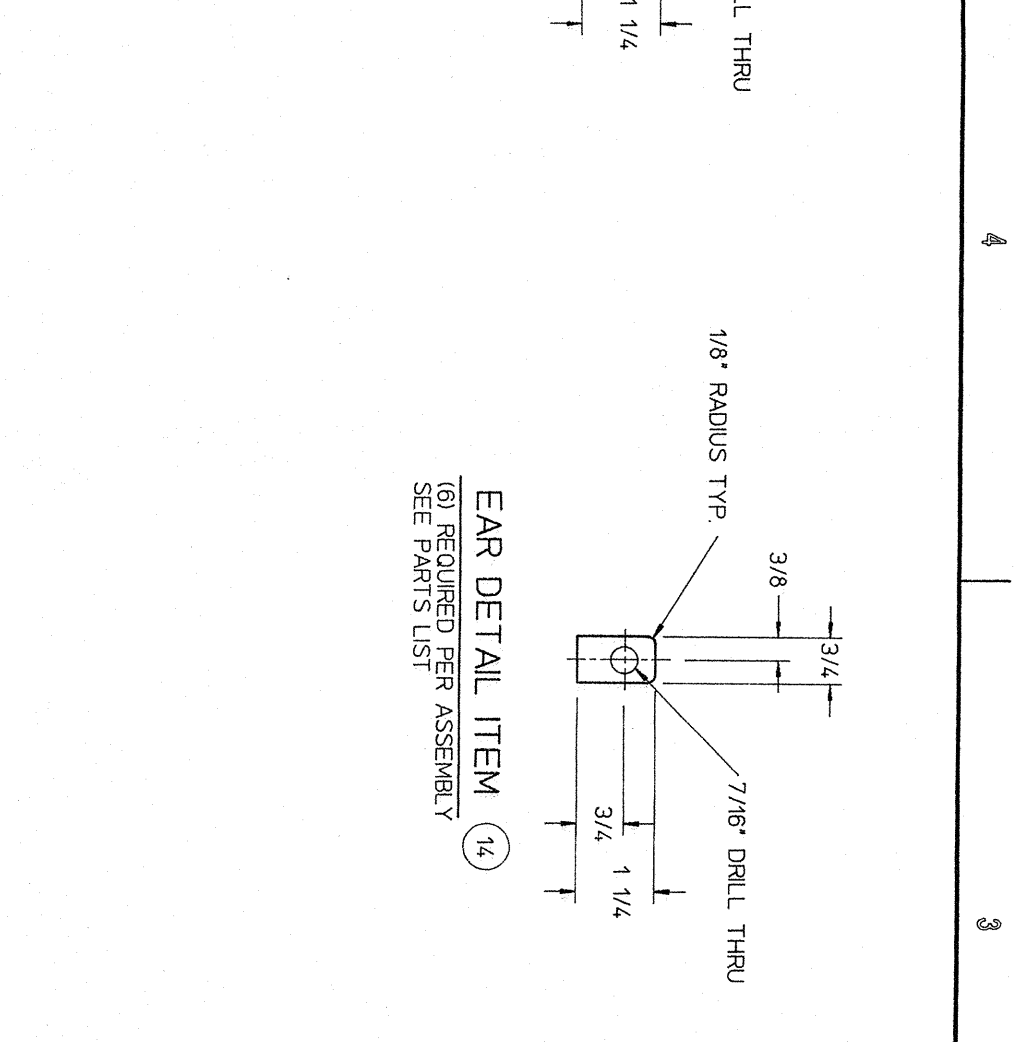
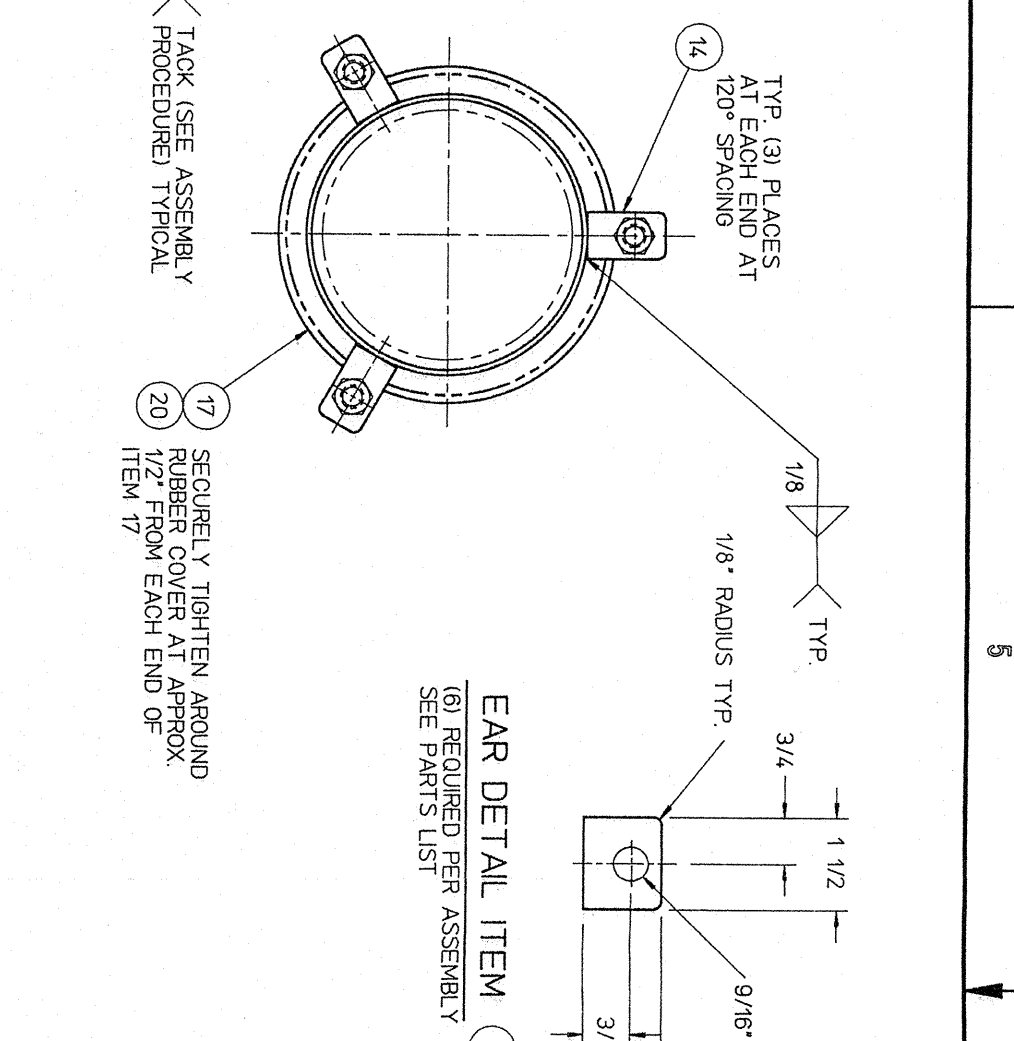
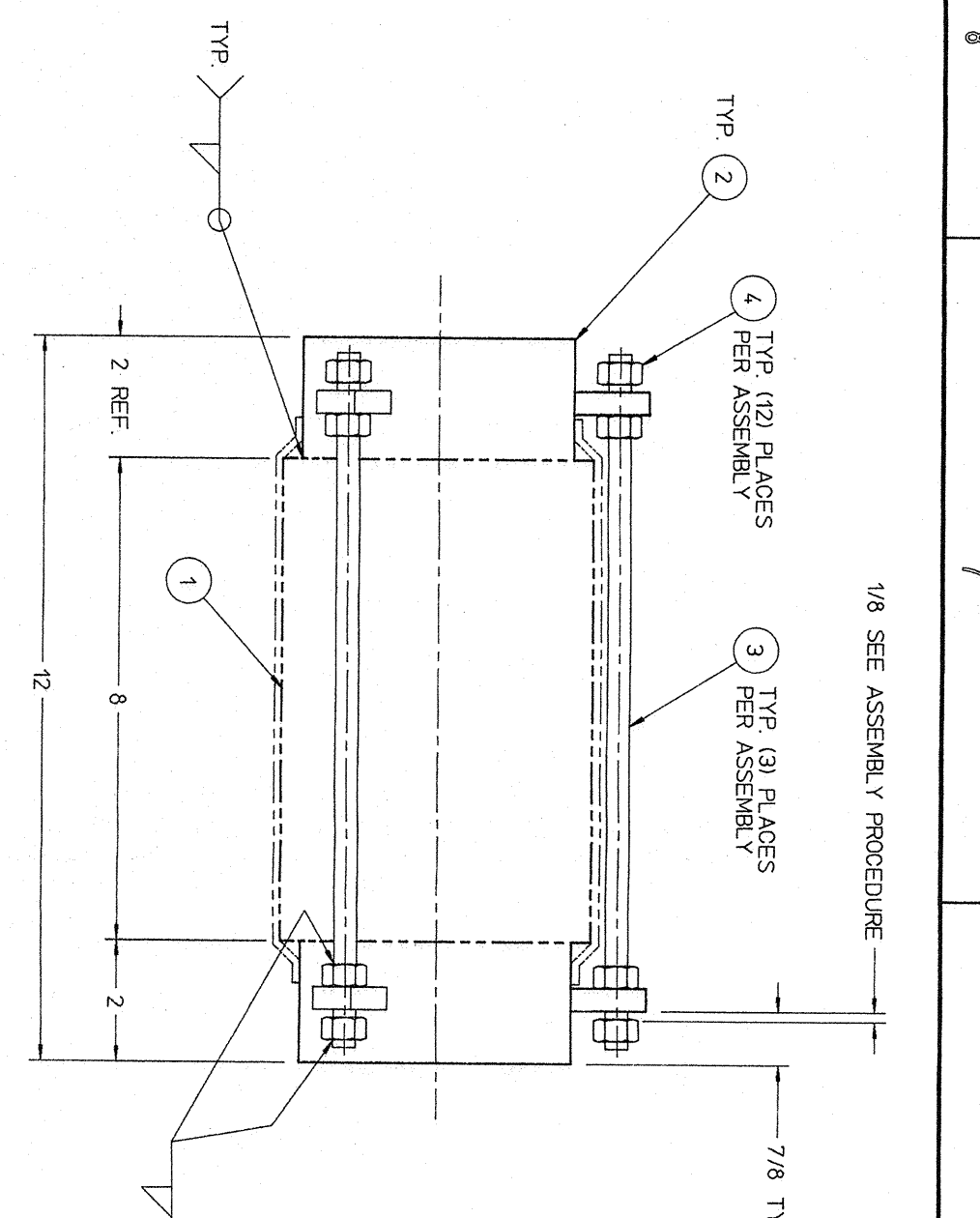


ZONE	REV	DESCRIPTION	DATE	APPROVED
ALL	A	ISSUED FOR REVIEW COMMENTS FROM PERMITS AND 2017/2018	10/17/2018	R BROWN



- NOTES:
- ENDS OF ALL ASSEMBLIES TO BE PARALLEL WITHIN 1/2". WHEN ENDS ARE COMPRESSED TO FIT INNER NUTS, (SEE RECOMMENDED ASSEMBLY PROCEDURE)
  - INNER & OUTER NUTS TO BE TIGHTENED TO STUDS IN POSITIONS NOTED IN RECOMMENDED ASSEMBLY PROCEDURE.
- RECOMMENDED FABRICATION PROCEDURE:
- ASSEMBLE PIPES, EARS & HOSE SECTIONS.
  - PLACE RODS THRU EARS WITH NUTS LOOSE AT EACH SIDE OF EACH EAR.
  - ADJUST ASSEMBLY TO MAKE BOTH ENDS PARALLEL TO WITHIN 1/2" WITH INNER NUTS TO RODS WHILE IN PARALLEL POSITION.
  - BACK OUTER NUTS TO BOTH ENDS TO 1/8" CLEAR OF EARS & TACK WELD OUTER NUTS TO RODS AT THIS LOCATION.
  - LEAK TEST ASSEMBLY.
  - INSTALL RUBBER PROTECTION SLEEVE (ITEM 16 THRU 19) AROUND CONDUITS & SECURE WITH WIRE TIES (ITEM 20).
  - RUBBER SHEETS ITEMS 16 THRU 19 TO WRAP AROUND HOSE & OVERLAP ENDS. SUGGEST USING 11 PIECE AS TRAIL PROTO-TYPE TO CHECK LENGTH & THEN ADDED TO MEAN CALC. DIA) OVERLAP TO BE LOCATED BETWEEN THREADED RODS.

ITEM NO.	QTY	DESCRIPTION	UNIT
1	1	1/2-13 HEX NUT	
2	12	BAR 3/4" X 3/8" X 1 1/4" LG	
3	6	BAR 3/4" X 3/8" X 1 1/4" LG	
4	12	BAR 1/2" X 3/8" X 1 1/4" LG	
5	6	BAR 1/2" X 3/8" X 1 1/4" LG	
6	1	THE WRAP X 2 1/2" LONG (CUT TO LTH AT ASSY)	
7	2	1/8" THICK SHEET X 2 1/2" X 11 1/8" LG (SEE NOTE 7)	
8	1	1/8" THICK SHEET X 2 1/2" X 11 1/8" LG (SEE NOTE 7)	
9	1	1/8" THICK SHEET X 8" X 9 3/8" LG (SEE NOTE 7)	
10	1	1/8" THICK SHEET X 6" X 7 3/8" LG (SEE NOTE 7)	
11	2	PPE 5 IPS SCH 5 X 2 1/2" LONG	
12	3	PPE 3 IPS SCH 5 X 2" LONG	
13	3	PPE 6 IPS SCH 5 X 2 1/2" LONG	
14	3	PPE 4 IPS SCH 5 X 2" LONG	
15	3	PPE 4 IPS SCH 5 X 2" LONG	
16	3	PPE 4 IPS SCH 5 X 2" LONG	
17	3	PPE 4 IPS SCH 5 X 2" LONG	
18	3	PPE 4 IPS SCH 5 X 2" LONG	
19	3	PPE 4 IPS SCH 5 X 2" LONG	
20	3	PPE 4 IPS SCH 5 X 2" LONG	
21	3	PPE 4 IPS SCH 5 X 2" LONG	
22	3	PPE 4 IPS SCH 5 X 2" LONG	

75600-E-0248

DATE: 10/17/2018

APPROVED: R BROWN

REVISIONS

1. ISSUED FOR REVIEW COMMENTS FROM PERMITS AND 2017/2018