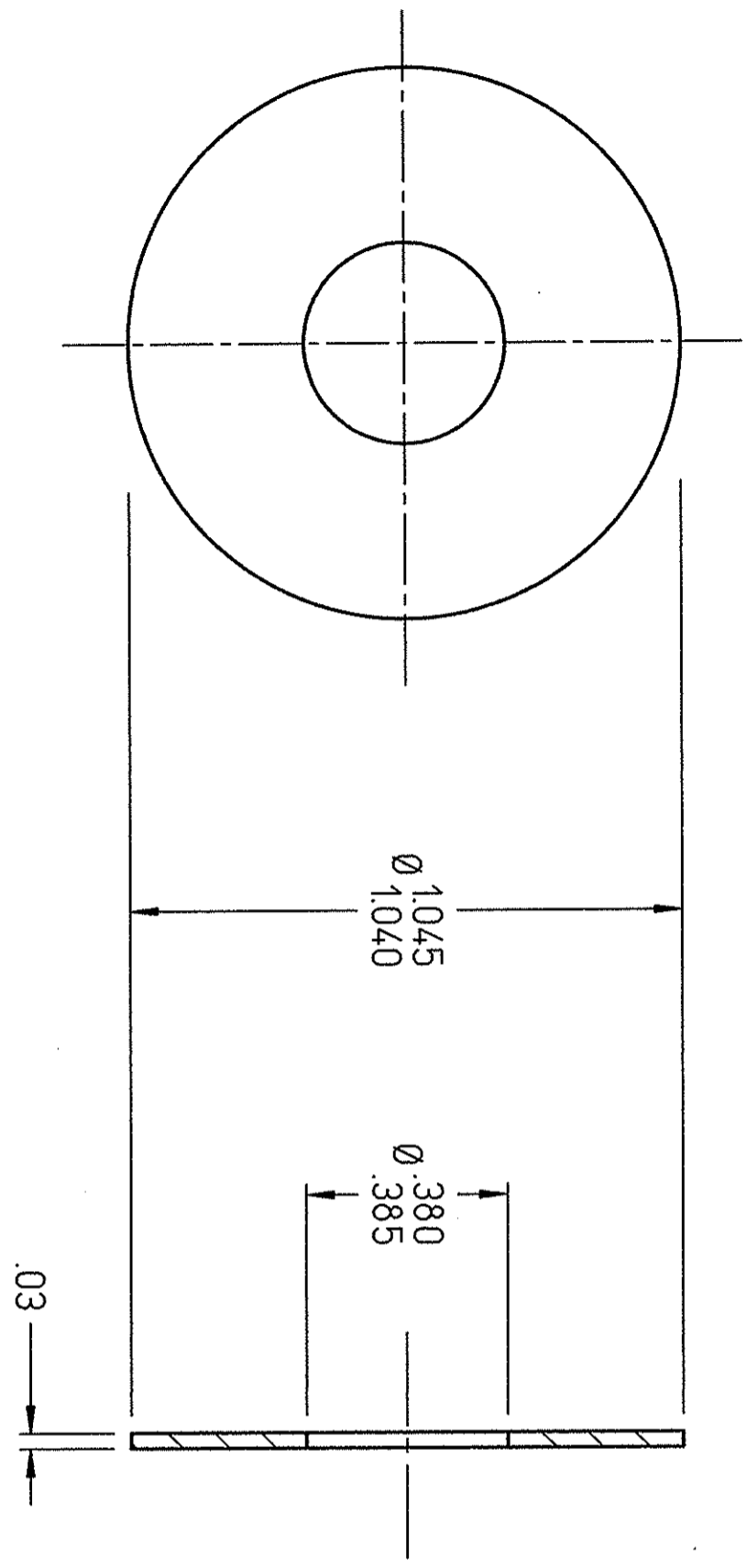


DWG. NO. 75600-B-0453 SHT. 1 REV. -

REVISIONS		
ZONE	REV.	DESCRIPTION



ICG

QTY REQD	ITEM NO.	PART OR IDENTIFYING NO.	QUANTITY OR DESCRIPTION	MATERIAL SPECIFICATION	NOTES
PARTS LIST					
DIM & TOL PER ANSI Y14.5 UNLESS OTHERWISE SPECIFIED DIMENSIONS ARE IN INCHES TOLERANCES ARE: FRACTIONS DECIMAL ANGLES # 1/32 .XX # .005 # N/A		CADD I.D. NO. /wbs/7/wbs.7.5/75600/B0453		Thomas Jefferson National Accelerator Facility NEWPORT NEWS, VIRGINIA UNITED STATES DEPARTMENT OF ENERGY	
MATERIAL	COPPER	APPROVALS	DATE	ACCELERATOR CRYOGENICS SMALL JT VALVE, CV = 0.3 EQ.% THERMAL INTERCEPT RING DETAIL	
FINISH	125	UNLESS OTHERWISE NOTED	DRAWN CHRIS GRAVES	2/26/99	
DEBURR & BREAK ALL SHARP EDGES			CHECKED C. J. Graves	2/26/99	
DO NOT SCALE DRAWING			APPROVED		
SCALE	3 : 1	USED ON ASSY NO.	75600-D-0445	SHEET	1 OF 1

NOTE:
-1 FITS COPPER WATER TUBE
1" NOM. (1.125 OD X .035 WALL)