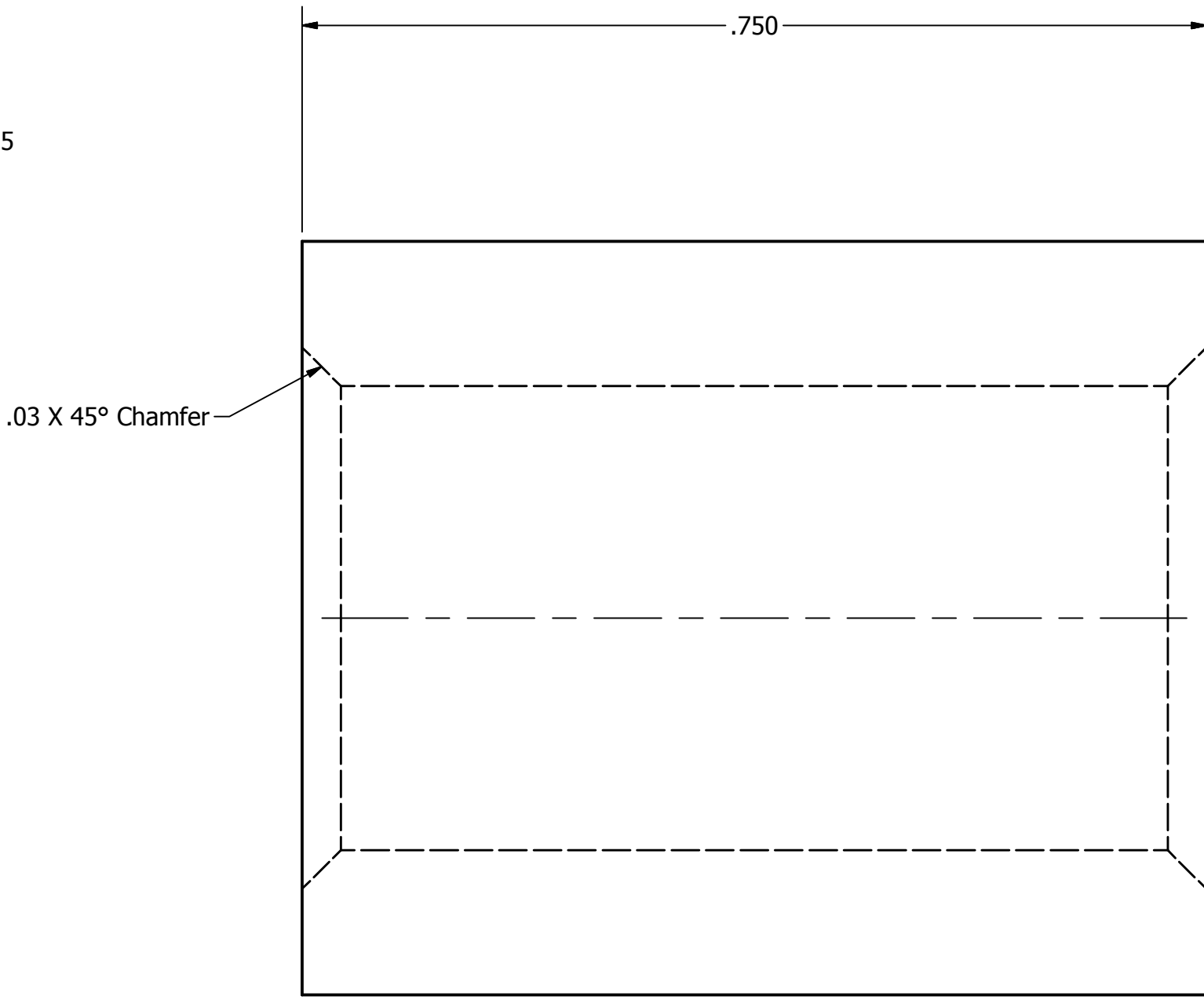
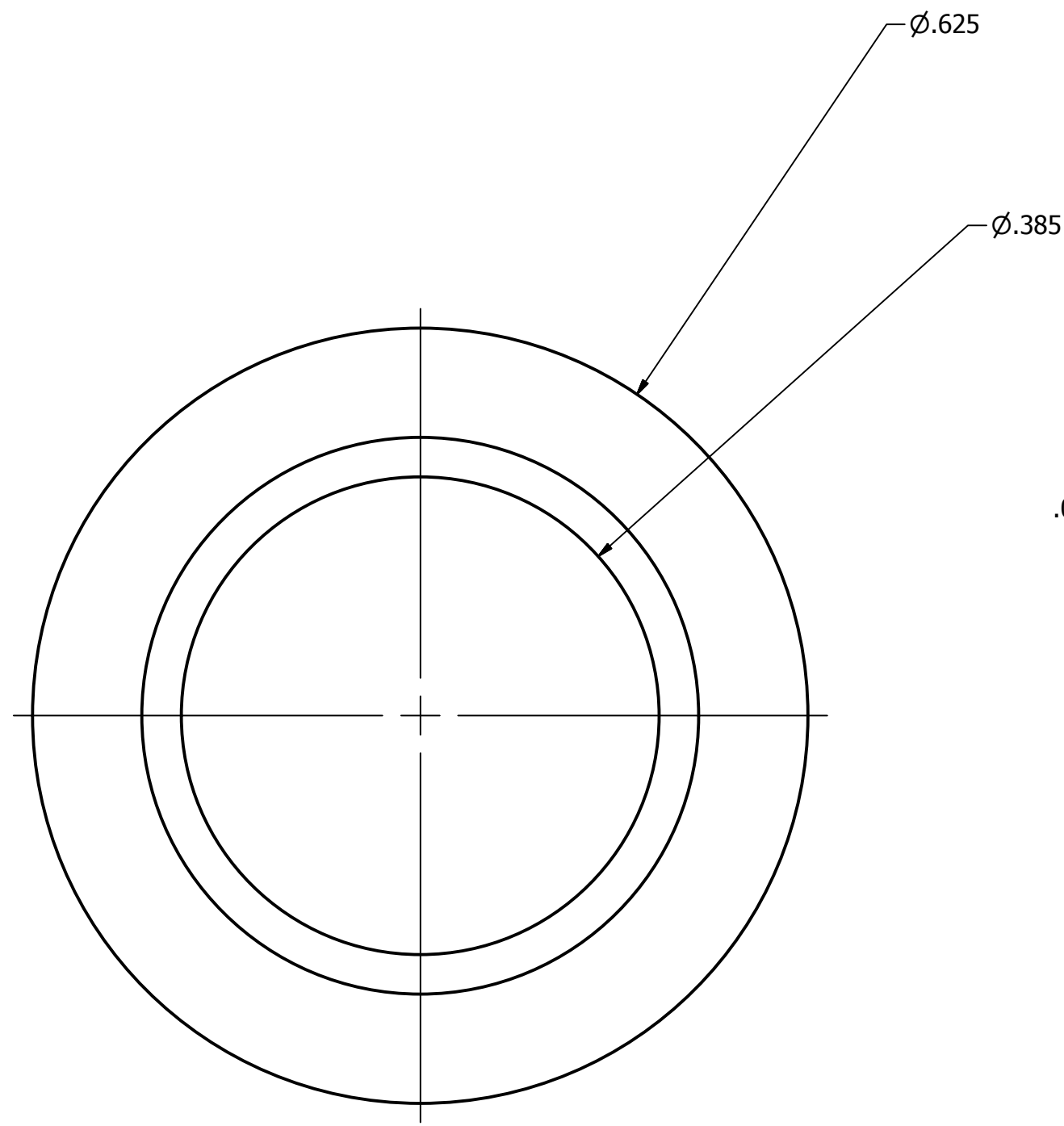


2 each valve
aluminum
break all edges



DRAWN folts	6/13/2012	TITLE		
CHECKED				
QA				
MFG				
APPROVED		SIZE C	DWG NO JT valve rod spacer	REV
		SCALE	SHEET 1 OF 1	