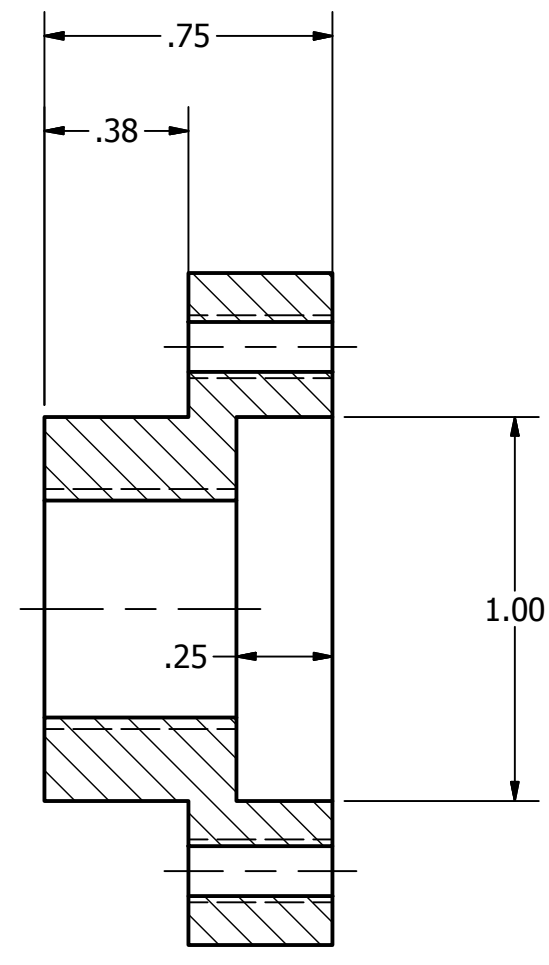
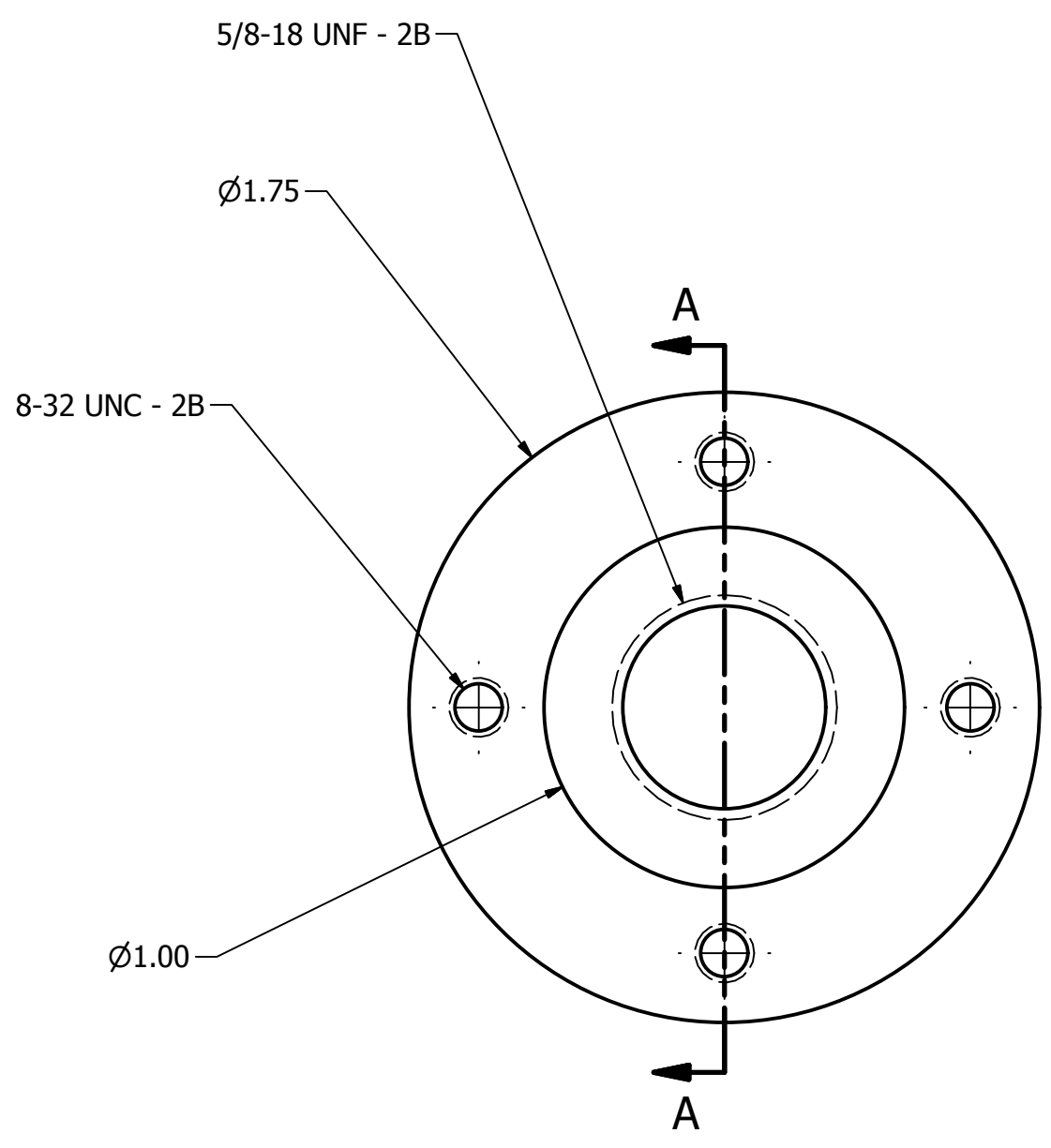
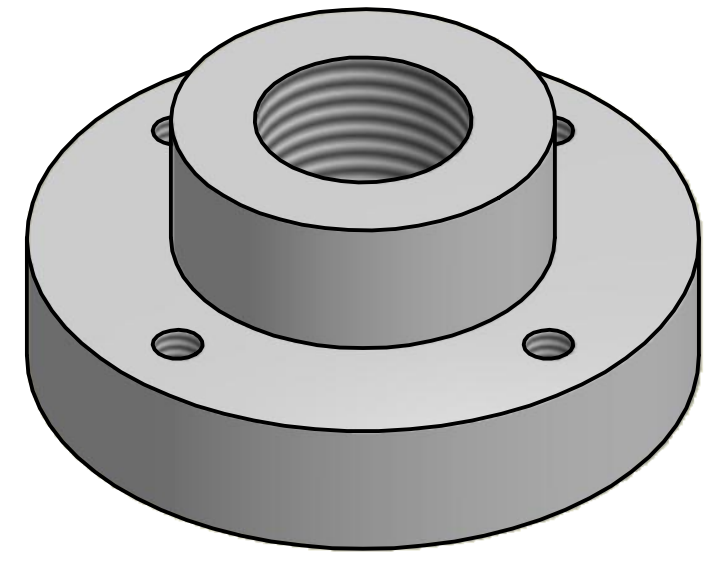


4 3 2 1

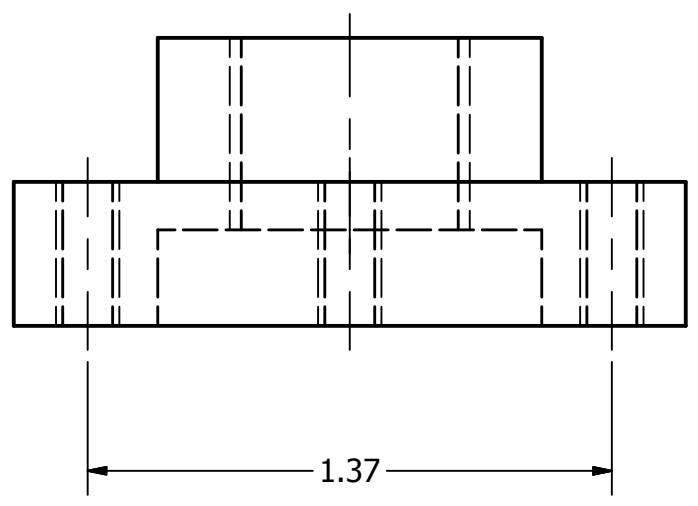
D D



SECTION A-A
SCALE 2 : 1



6 each of SS
Please deburr all corners



B B

DRAWN folts	8/15/2007	TITLE Jlab valve /Weka stem coupling top		
CHECKED				
QA				
MFG				
APPROVED		SIZE C	DWG NO jt Part2	REV
		SCALE	SHEET 1 OF 1	

4 3 2 1

A A