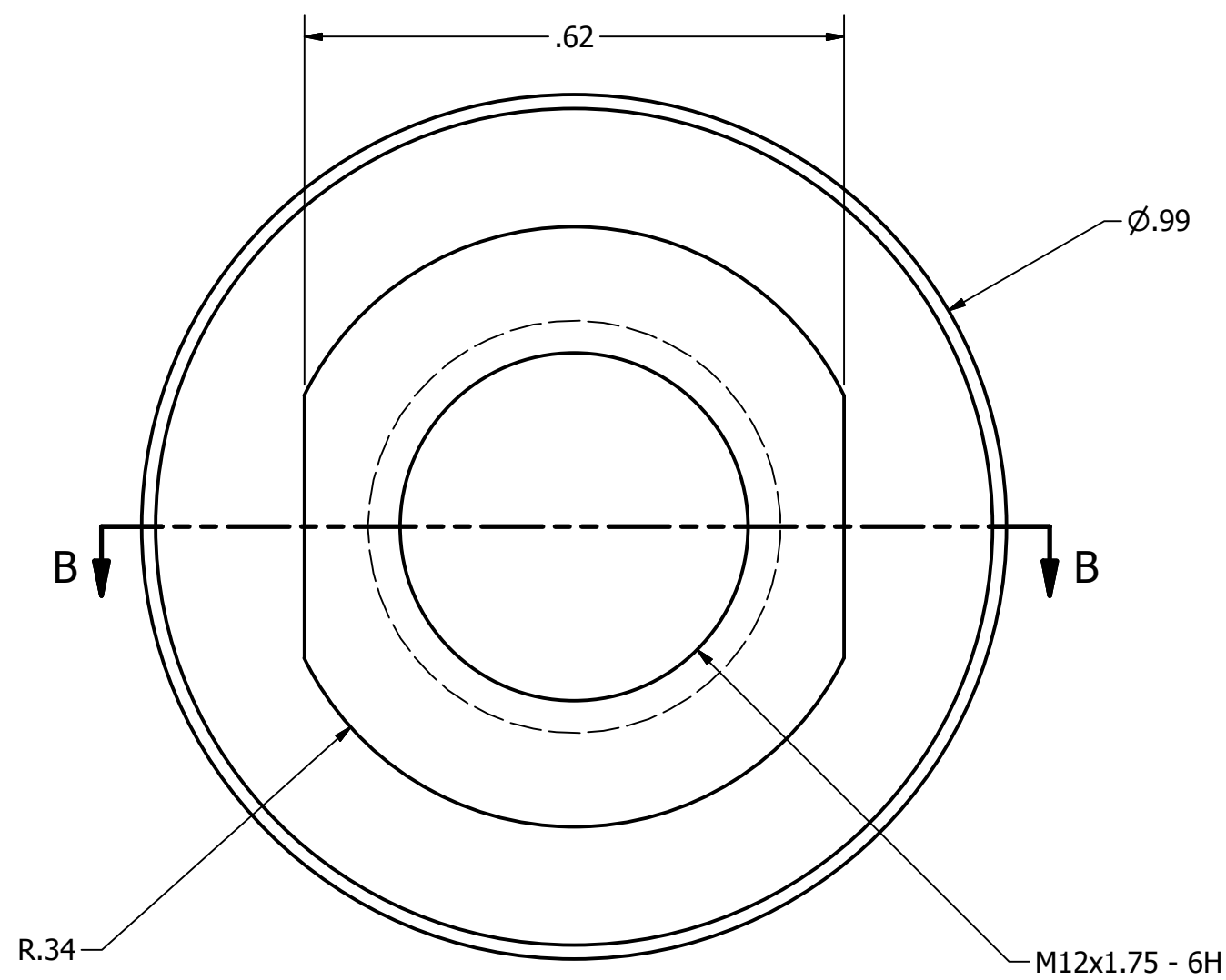
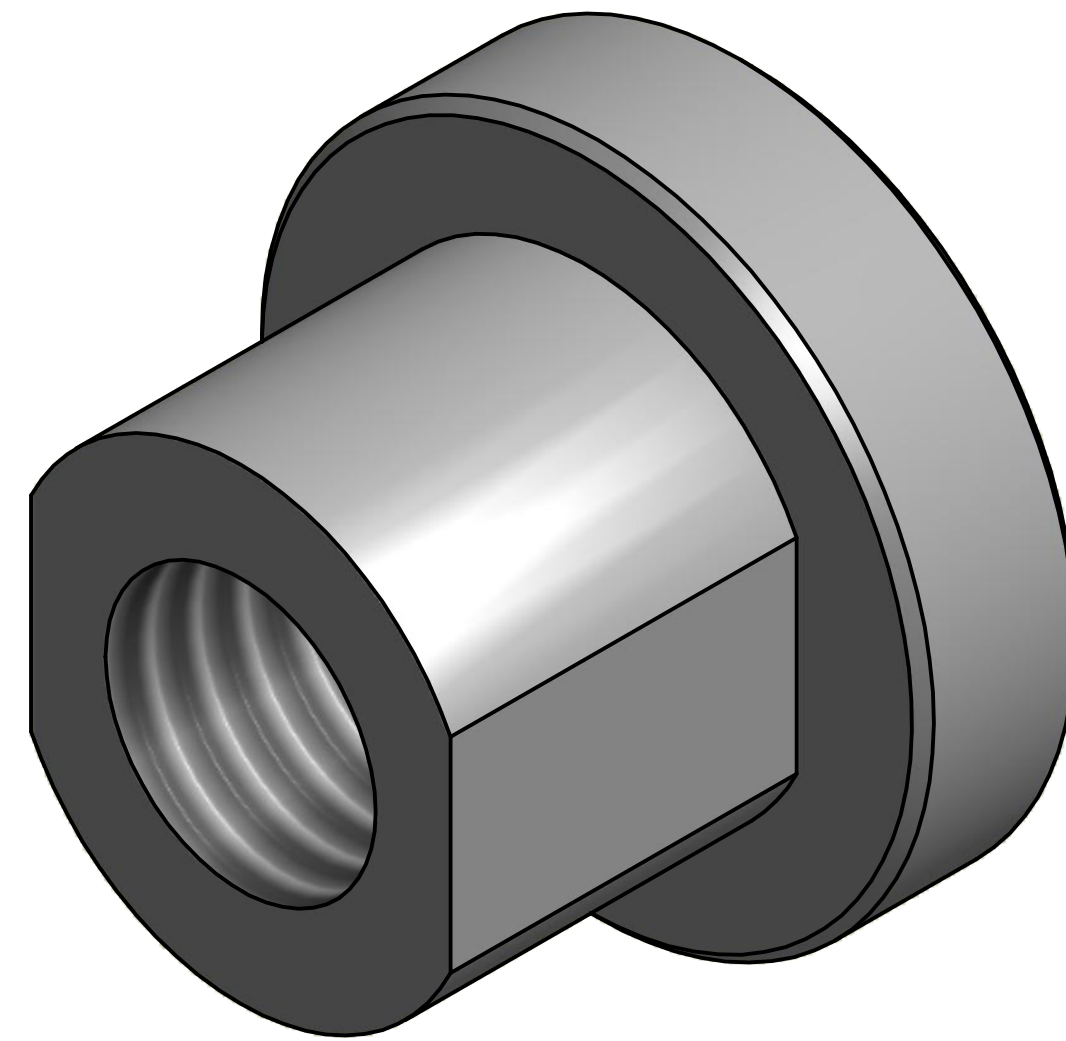


SECTION B-B
SCALE 5 : 1



6 each steel
please break all edges

DRAWN folts	8/16/2007	TITLE Jlab / Weka stem coupling bottom		
CHECKED				
QA		SIZE C	DWG NO jt Part3	REV
MFG		SCALE	SHEET 1 OF 1	
APPROVED				