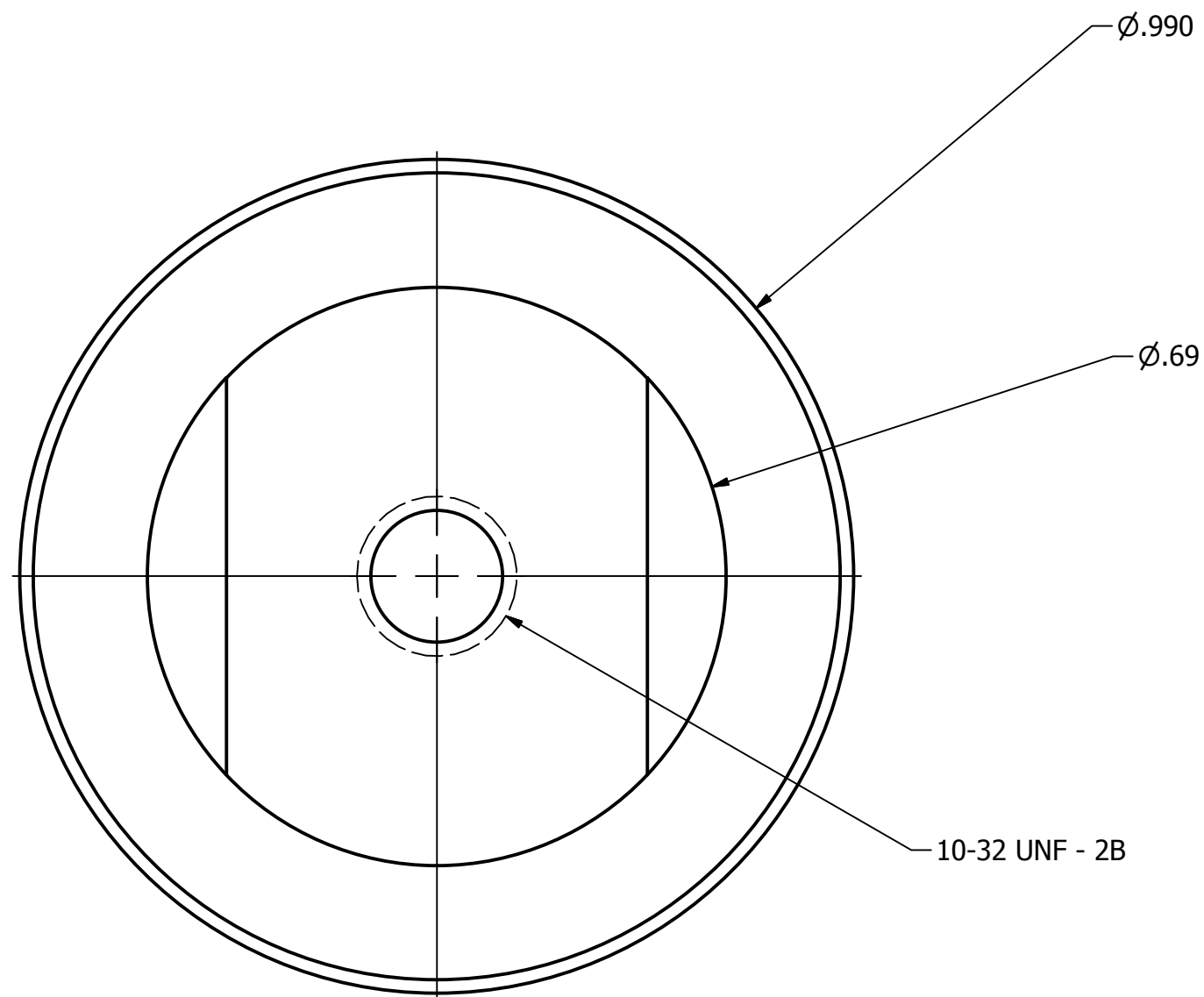


Steel  
Please break all corners  
OK to drill all the way through



DRAWN folts	2/8/2013			
CHECKED		TITLE		
QA				
MFG				
APPROVED				
		SIZE C	DWG NO honeywell adaptor	REV
		SCALE	SHEET 1 OF 1	