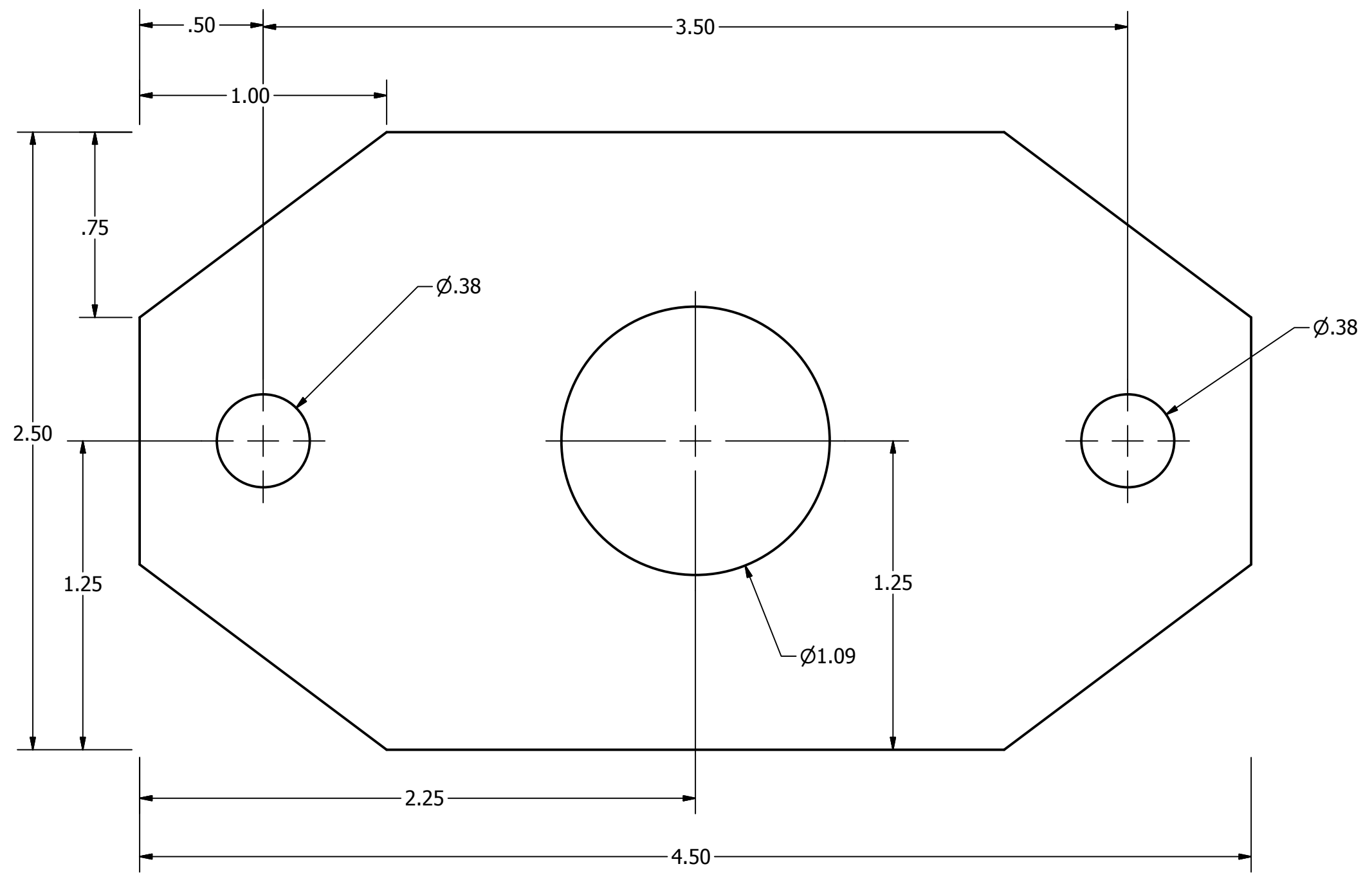


Stainless steel
please break all edges



DRAWN	folts	2/8/2013		
CHECKED			TITLE	
QA				
MFG				
APPROVED				
		SIZE	DWG NO	REV
		C	pnumatict valve mount	
		SCALE	SHEET 1 OF 1	